

# Compact Telehandlers

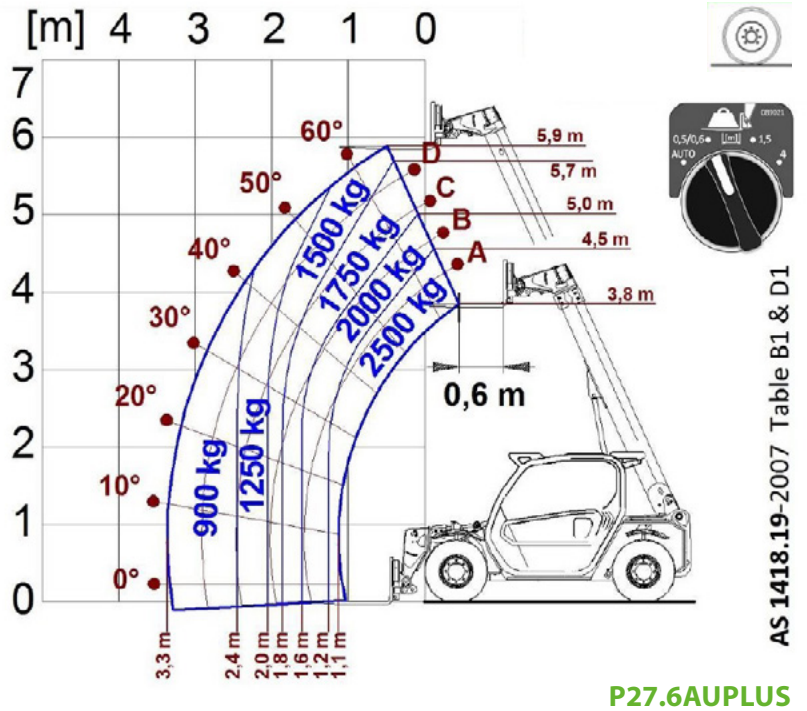
P27.6AU PLUS





| PERFORMANCE AND FEATURES                 | P27.6 AU PLUS            |  |  |
|--|--------------------------|--|--|
| <b>Performance</b>                       |                          |  |  |
| Total unladen weight (kg)                | 4850                     |  |  |
| Maximum capacity (kg)                    | 2500                     |  |  |
| Lifting height (m)                       | 5.9                      |  |  |
| Maximum reach (m)                        | 3.3                      |  |  |
| Maximum operating height (m)             | 4.6                      |  |  |
| Maximum operating reach (m)              | 1.2                      |  |  |
| Capacity at maximum height (kg)          | 1800                     |  |  |
| Capacity at maximum reach (kg)           | 1000                     |  |  |
| Lateral boom movement (mm)               | -                        |  |  |
| Tilting correction (%)                   | -                        |  |  |
| Boom sections                            | 2                        |  |  |
| <b>PowerTrain</b>                        |                          |  |  |
| Turbo motor                              | KOHLER KD2504 TCR        |  |  |
| Displacement/cylinders                   | 2500/4                   |  |  |
| Engine Power (kW/HP)                     | 55,4/75,1                |  |  |
| Anti-pollution technology                | TIER 4 - DOC             |  |  |
| Reversible fan                           | -                        |  |  |
| Maximum speed (km/h)                     | 40                       |  |  |
| Fuel tank (l)                            | 70                       |  |  |
| AdBlue tank (l)                          | -                        |  |  |
| Hydrostatic transmission                 | ● - 1V                   |  |  |
| EPD                                      | -                        |  |  |
| Auto-revving joystick                    | -                        |  |  |
| Axles - Reducers                         | Axial, Epicyclic         |  |  |
| Machine brakes                           | Dry disc                 |  |  |
| Automatic parking brake                  | ●                        |  |  |
| <b>Hydraulic</b>                         |                          |  |  |
| Hydraulic pump                           | Gear                     |  |  |
| Flow rate/pressure (l/min - bar)         | 95-210                   |  |  |
| Hydraulic tank                           | 70                       |  |  |
| Hydraulic outlet at the top of the boom  | ●                        |  |  |
| Rear hydraulic outlets                   | ○                        |  |  |
| <b>Cab</b>                               |                          |  |  |
| Cab configuration                        | ECO                      |  |  |
| ASCS Adaptive Stability Control System   | Full                     |  |  |
| FOPS LIV II cab                          | ●                        |  |  |
| ROPS cab                                 | ●                        |  |  |
| Cab commands                             | Electromechanic joystick |  |  |
| Tilting Cab                              | -                        |  |  |
| Reverse shuttle                          | Finger touch             |  |  |
| <b>Configuration</b>                     |                          |  |  |
| Cab suspension                           | -                        |  |  |
| Boom suspension                          | ●                        |  |  |
| Suspension on axles                      | -                        |  |  |
| Work headlights on cab                   | ○                        |  |  |
| Sun blind                                | ○                        |  |  |
| Tac-lock                                 | ●                        |  |  |
| Provision for a platform                 | ○                        |  |  |
| Two floating forks                       | ●                        |  |  |
| Inching-Control                          | ●                        |  |  |
| Four-wheel drive                         | ●                        |  |  |
| Four-wheel steering                      | ●                        |  |  |
| Three steering modes                     | ●                        |  |  |
| Standard tyres                           | 12-16.5                  |  |  |
| Optional tyres                           | 12/75-18; 300/80-15.3    |  |  |
| Stabilisers                              | -                        |  |  |
| Turret rotation                          | -                        |  |  |
| Type approval as an agricultural tractor | -                        |  |  |
| Approval with PNEUMATIC braking          | -                        |  |  |
| Approval with HYDRAULIC braking          | -                        |  |  |
| PTO                                      | -                        |  |  |
| 3-point linkage                          | -                        |  |  |

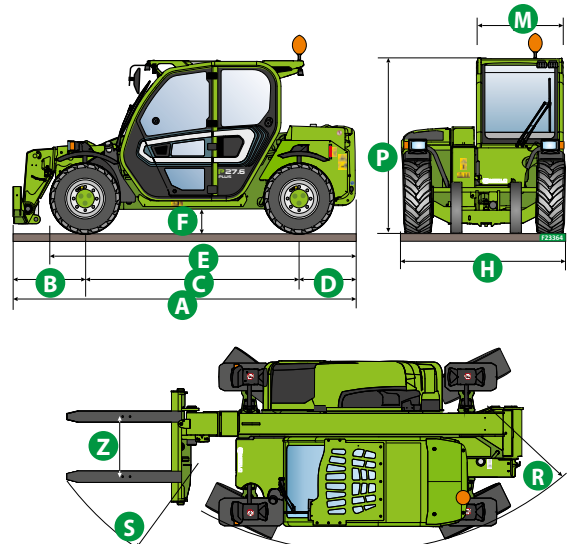
- Not Available  
● Standard  
○ Optional



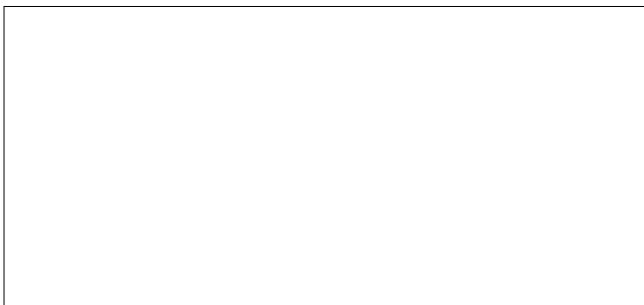
Dimensions



|        | <b>P27.6<br/>AU PLUS</b> |  |  |
|--------|--------------------------|--|--|
| A (mm) | 3910                     |  |  |
| B (mm) | 820                      |  |  |
| C (mm) | 2450                     |  |  |
| D (mm) | 640                      |  |  |
| E (mm) | 3495                     |  |  |
| F (mm) | 270                      |  |  |
| H (mm) | 1860                     |  |  |
| M (mm) | 1010                     |  |  |
| P (mm) | 1960                     |  |  |
| R (mm) | 3370                     |  |  |
| S (mm) | 4200                     |  |  |
| Z (mm) | 850                      |  |  |



**Your Merlo dealer**



**P27.6AUPLUS:**

MA00802 - VIN: D1005633 - SAV: D146213 - 15/11/2021

**MERLO GROUP AUSTRALIA PTY LTD**

27 Colin Jamieson Dve, Welshpool (Perth), WA 6106

Tel. (08) 9358 3110 - Fax (08) 9358 4110

120 Toongabbie Road, Girraween, NSW 2145

Tel. (02) 9688 0600

Tel:1300 657 325

[info@merloaustralia.com.au](mailto:info@merloaustralia.com.au)

[www.merlo.com](http://www.merlo.com)

