

TL3.6PH-H

3.6 Ton 4 Post Parking Hoist - Extra High



» 3.6 Ton lifting capacity

» Double your parking space

» Diamond plated platforms

» Single point lock release

» Certified to Australian Standards and design registered with Worksafe

» Extra height for storing taller vehicles

» Mechanically locks each (170mm) interval

» Anti-surge valve

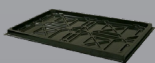
» Slack / loose cable safety locks

» Durable Hammertone powder coat finish

» 1 Year parts & labour warranty

INCLUSIONS

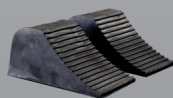
OPTIONS



Drip Trays



Wheel Stops



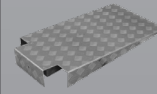
Wheel Chocks



Caster Kit



Steel Tool Tray

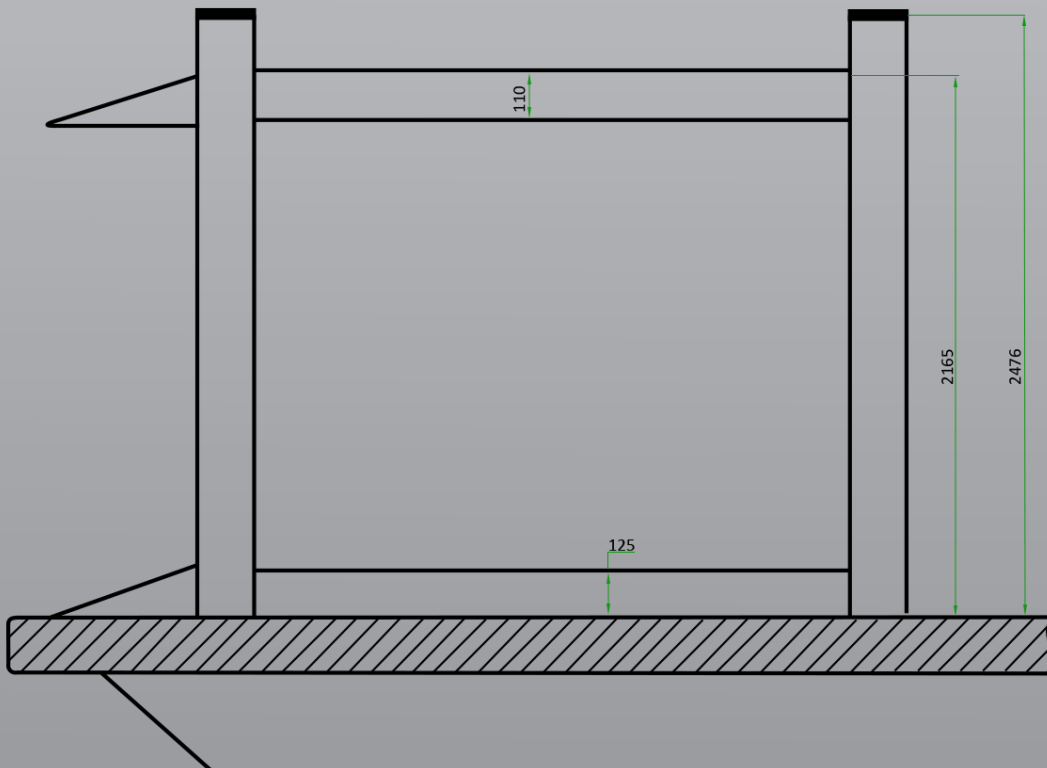
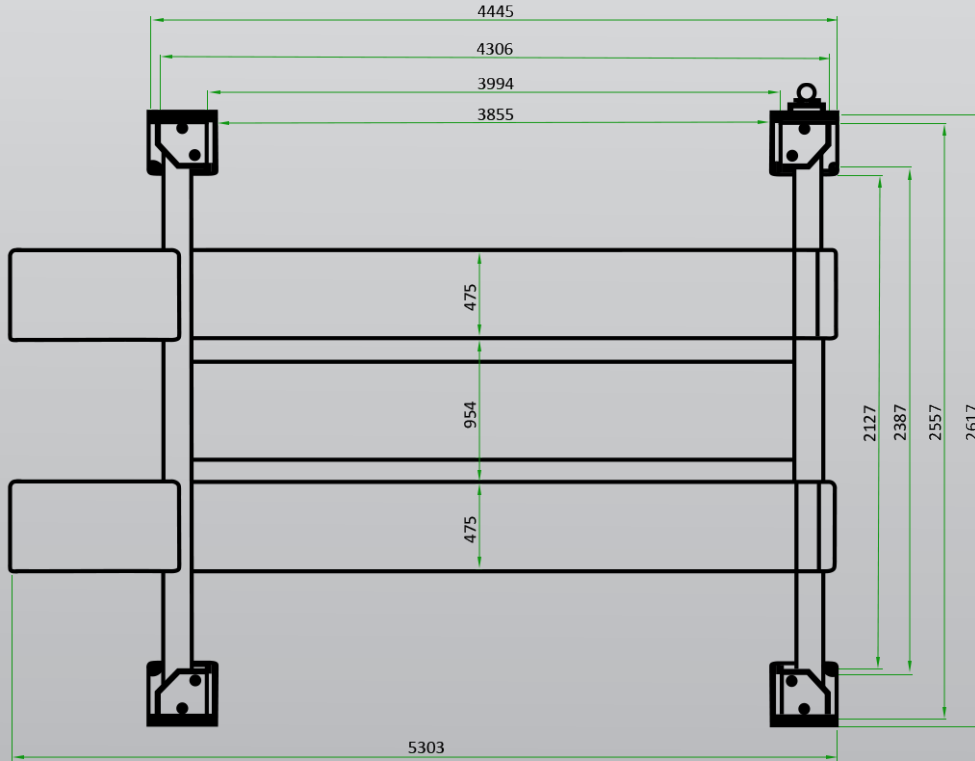


Aluminium Approach Ramps



RJ35 Manual Sliding Jack

TL3.6PH-H



Minimum Concrete Requirement
100mm
Recommended Ceiling Height
3.4m
Power Requirements
<i>240v</i>
2.2kw 14.5 amps
<i>3 phase</i>
2.2kw 7 amps
No neutral required
Freight Dimensions
428 x 57 x 76cm
775kg