

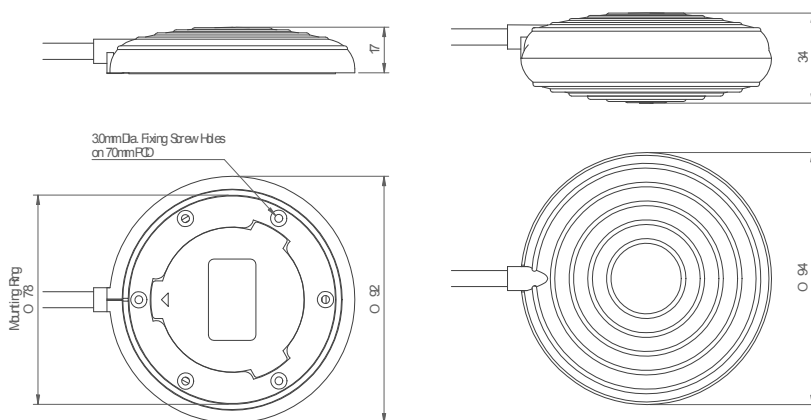
Datasheet

6448-0003 Foot Bellows 316-945

- Low Profile, easy to operate foot bellows
- For free standing applications or secured with a built in mounting.
- Baseplate material: rigid black PVC
- Bellows material: flexible PVC
- Operating Temperature: -10°C to +40°C



Outline Dimensions



Note: To remove mounting ring from bellows as supplied, insert a 3mm dia. bar in one of the holes & twist anti-clockwise through 41°. Mounting ring can be used as a template for drilling/tapping holes in mounting face