

**NEW**

# MOTOMAN HC30PL

## Human-Collaborative Robot 6 integrated Sensors

The MOTOMAN HC30PL is the largest cobot of the HC product family, with a remarkable payload of 30 kg, a maximum reach of 1,700 mm and outstanding repeatability. This makes the cobot an ideal choice for fenceless palletizing tasks, such as in end-of-line packaging applications. The food-grade grease also opens up further applications in the food and pharmaceutical industries. Due to the integrated torque sensors, the cobot can be used in human-robot collaboration without any protection fence. Plug&Play installation of grippers is facilitated by the ISO flange and configuration wizards on the Smart Pendant.

The MOTOMAN HC cobot series from Yaskawa was developed for easy entry into robotic automation. Besides the easy programming philosophy with hand guiding and direct teach buttons on the cobot's wrist, online tutorials and the application builder assists you in your robot automation journey. The convenient tablet-based Smart Pendant guides you intuitively through the individual steps – from programming to safety configuration, simple menus provide the perfect overview of your application. Simply set up the cobot, connect the manipulator with controller and peripherals, and you are ready to start programming. Various compatible and Plug&Play products – supplied by Yaskawa or partners of the Yaskawa Ecosystem – enable a fast and easy cobot installation in different application fields.



Controlled by  
**YRC1000**

Controlled by  
**YRC1000  
micro**

### KEY BENEFITS

#### Easy-to-use

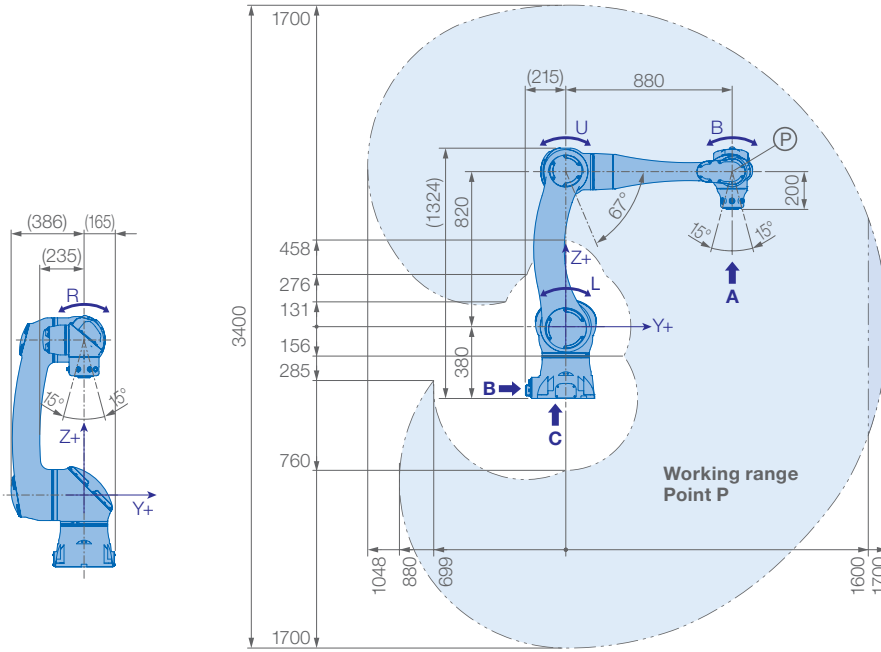
- Simple programming with Smart Pendant incl. Smart Frame and hand guiding
- Complex programming with Teach Pendant
- Pendants with standard 3-position enabling switch
- Wizard programming for applications and accessories
- Ecosystem of Plug&Play partner products
- ISO flange for easy connection of accessories
- Yaskawa simulation software MotoSim EG VRC

#### Smart safety

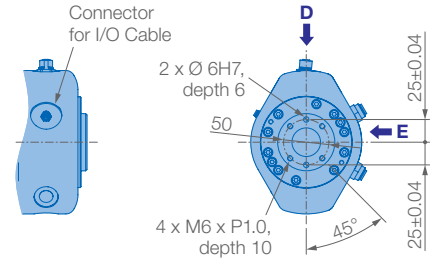
- PL d Cat. 3 certification with 25 safety-related hardware and software functions
- High-resolution torque sensors in each joint
- Easy configuration of the safety unit, such as definition of ranges, plains and precise envelopes for manipulator and gripper
- Two retract movements: Retract & Clamp Release function
- Pushback function for pushing the cobot away during operation

#### Industrial design for hybrid operation

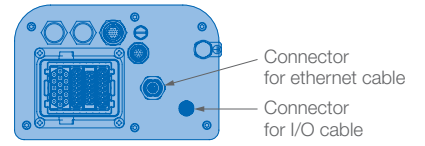
- High payload and reach
- IP67 protection class with high-quality seals
- Food grade grease
- Robust aluminium cast in lightweight design
- Powerful Yaskawa 200 V servo drives
- Internal media routing
- Automatic calibration possible
- High speeds of up to 2,000 m/s
- Industrial control options YRC1000 and YRC1000micro



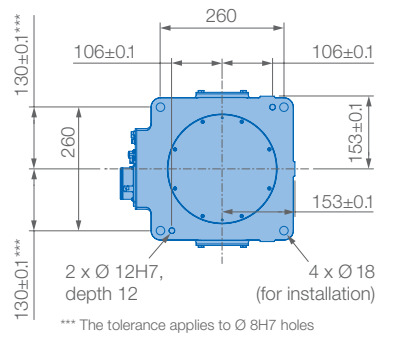
## View A



## View B

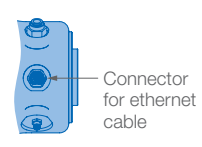


## View C

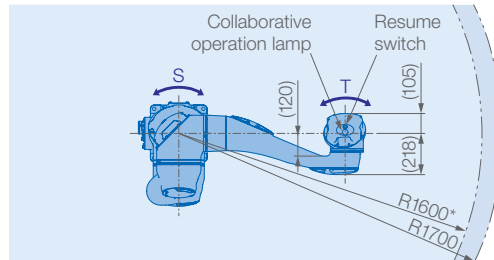
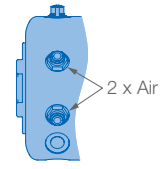


Mounting options: Floor  
IP Protection: IP67

## View D

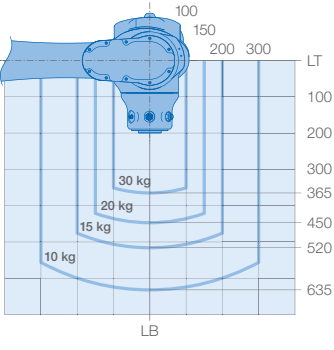


## View E



\* for over 27 kg payload

## Allowable wrist load



Specifications HC30PL						
Axes	Maximum motion range [°]	Maximum speed [°/s]	Allowable moment [Nm]	Allowable moment of inertia [kg · m <sup>2</sup> ]	Controlled axes	6
S	±210	80	-	-	Max. payload [kg]	30
L	±180/-154	80	-	-	Repeatability [mm]	±0.05
U	+247/-67	120	-	-	Max. working range R [mm]	1700/1600*
R	±15	112	-	-	Temperature [°C]	0 to +40
B	±15	132	-	-	Humidity [%]	20 - 80
T	±210	180	-	2.0	Weight [kg]	140
					Power supply, average [kVA]	1.5

\* for over 27 kg payload

## Robotic Automation p/l

14/4 Avenue of Americas  
Newington, NSW 2127  
Australia

Tel. 1300 552 333  
webenquiry@ragroup.com.au  
www.ragroup.com.au

