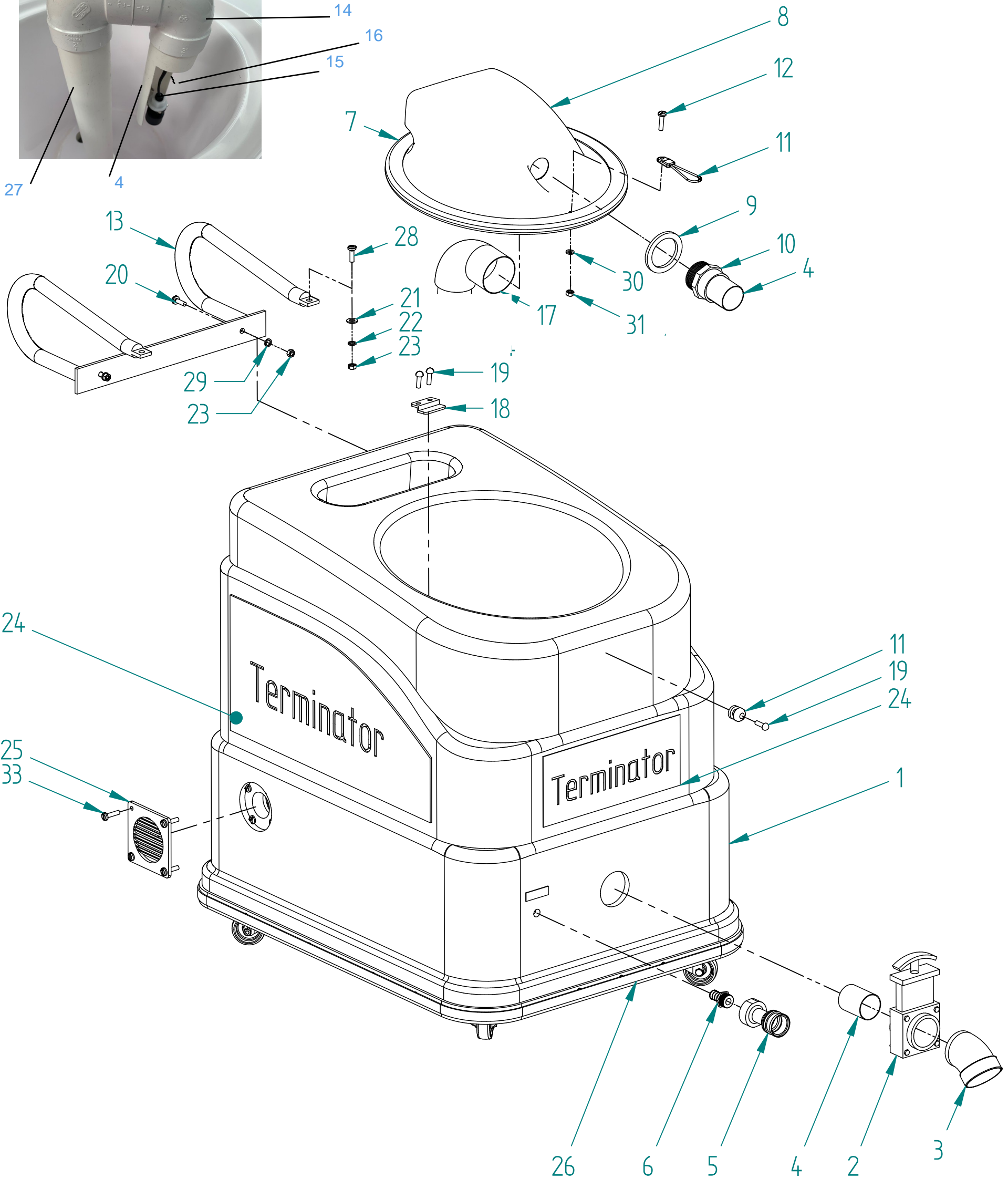
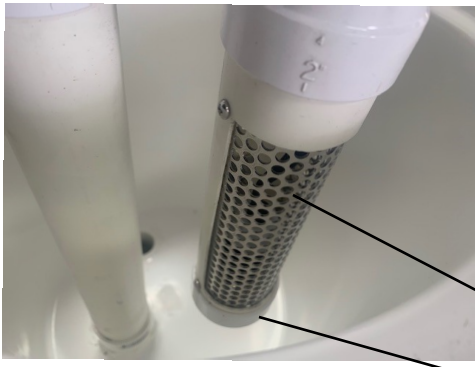


Terminator

Cabinet Assembly

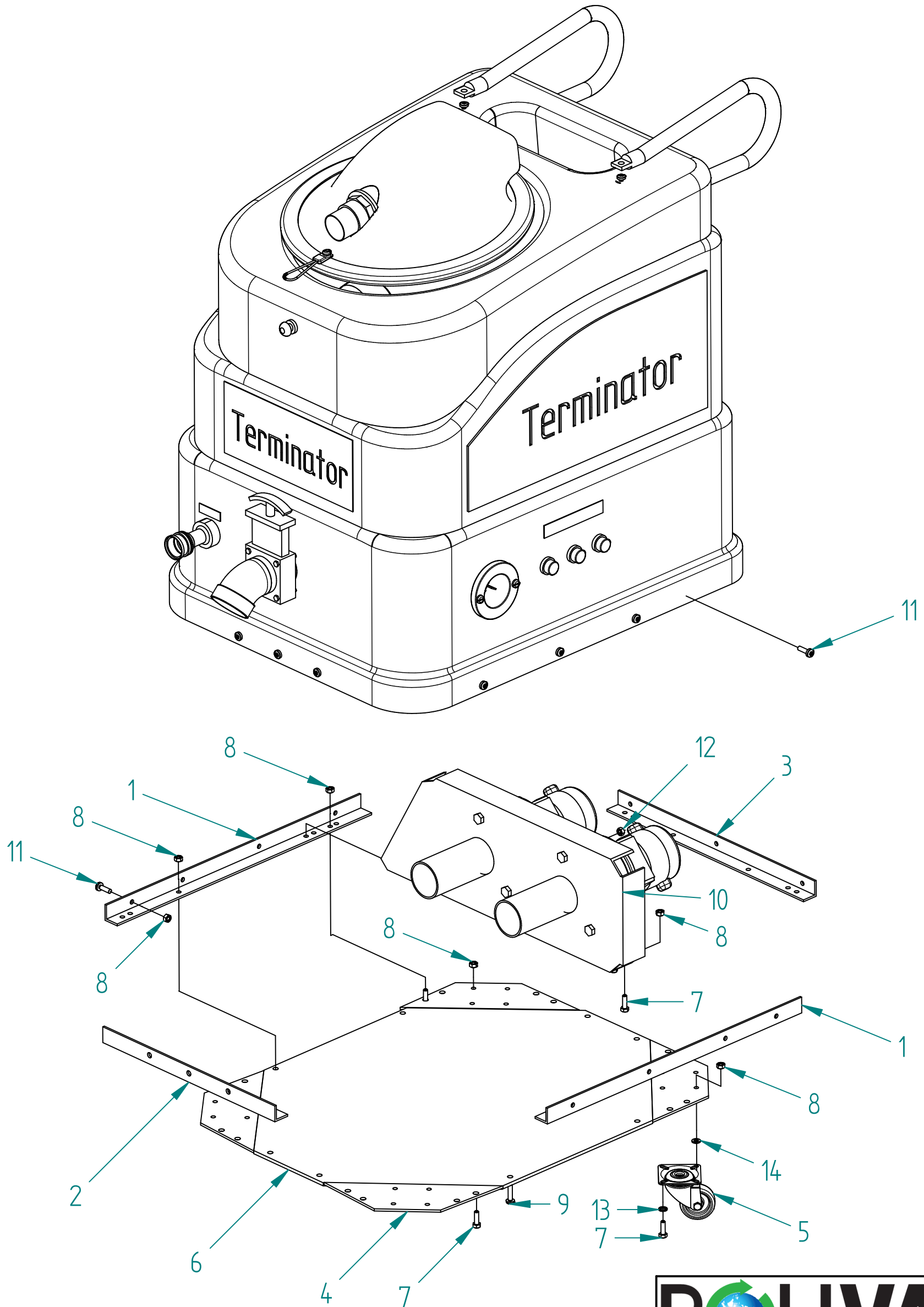


Terminator

Cabinet Assembly Part List

No	Code	Description	No	Code	Description
1	PPT000	Fibreglass Body	27	PM037	50 mm Pipe
2	PM054	Dump Valve	28	PPR103	Screw
3	PPR029	Dump Valve Spout	29	PPR128	Washer
4	PM027	Pipe 40 mm	30	PVT025	Flat Washer
5	PPR080	Female Connector	31	PPR095	M4 Nyloc
6	PPR051	Brass BRB	32	PM001	Socket
7	PM031	Dome Seal	33	PVT029	Pan Phillips
8	PM035	Dome Complete	34	AAK838	Rivet
9	PPR030	Seal	35	PPR035	Float Ball
10	PM064	1.1/2" Male Socket	36	PPR013	Filter Screen
11	PPR135	Button & Loop Set	37	PM037A	Cap for the Filter
12	PPR098	4 X 16 mm Pak Phillip			
13	PM028A	Pullman / Terminator handle			
14	PM055	Plastic Elbow			
15	PPR144	Float Switch			
16	PPT022	Float Switch Bracket			
17	PM033	90 Deg Elbow			
18	PPR114	Dome Latch			
19	AAK854	Rivet			
20	PPR177	Screw			
21	VLB608	Rubber Washer			
22	PPR104	Washer			
23	PPR096	Nyloc			
24	PPT010	Terminal Label (one set)			
25	PPR049	Vent Cover			
26	PPR002	Continental Trim			

Terminator Frame Assembly



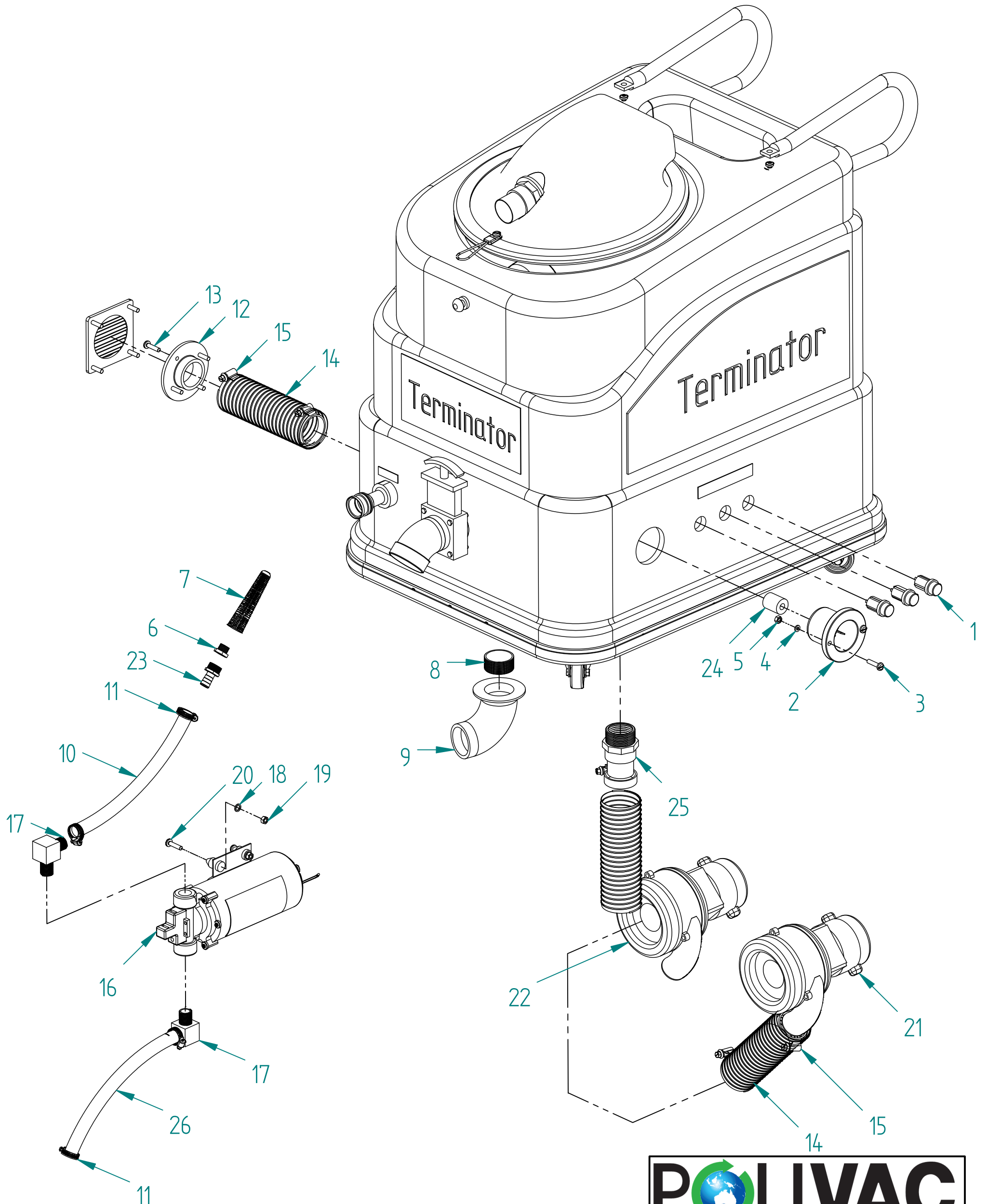
Terminator

Frame Assembly Parts List

No	Code	Description
1	PPR005	Side Frame 25x25x3x390 mm
2	PPR006	Front Frame 25x25x3x320 mm
3	PPR007	Rear Frame 25x25x3x360 mm
4	PPR009	Wheel Plate
5	PPT003	Castor Wheel
6	PPT002	Bottom Cover
7	PPR090	6 X 20 mm SS
8	AAA354	6 mm Nyloc Nut
9	PVT029	Pan Phillips
10	PPT001	Vacuum Motor Plate
11	PPR091	6 x 20 mm c/ Sunk Bolt
12	AAF141	Nyloc Nut
13	AAG236	Washer 1/4" x 5/8" Zinc Bright
14	AAG365	Washer

Terminator

Under Carriage Assembly



Terminator

Under Carriage Assembly Parts List

No	Code	Description
1	PPR022	Round Switch
2	PPR048	Inlet Socket
3	PPR098	Pan Phillips
4	PVT025	Stainless Washer
5	PPR095	Nyloc Nut
6	PPR059A	Reducer
7	PPR032	Monel Screen
8	PM064	Female to Male Adaptor
9	PM032	90 Deg Female with Flange
10	PPR039A	Red Hose 3/8"
11	PPR042	Hose Clamp 13-20
12	PPR044	Muffler end Cap
13	PPR105	C/ Sunk Phillips
14	PPR040	Silver flex Hose
15	PPR043	Hose Clamp 40-55
16	PPR189B	220 PSI Diaphragm Pump
17	GAS035	Brass Elbow
18	SLB039	Flat Washer
19	PPR095	Nyloc Nut
20	PPR212	4 X 30 mm Pan Phillips
21	PVT002	Vac Motor
22	COM086	Motor Seal
23	PPR051	Brass BRB
24	PPR138	Round Ferrite
25	PM064	Female to Male Adaptor
26	PPR039	Yellow Hose 3/8"

WARRANTY POLICY

1. When a warranty repair is requested, the purchaser must first contact any of Polivac's authorized Service Centres with proof of purchase and details of the alleged defect. In most instances, the request for warranty brought to the attention of our Service Centres or Agents is handled in a prompt routine manner with no question as to its validity. However, some requests for warranty are not justified. In these cases, product owners will be made aware that the premature failure of their product was the result of a cause not covered by Warranty.
2. The Polivac warranty covers only DEFECTIVE MATERIAL and/or DEFECTIVE WORKMANSHIP. It does not cover labour.
3. Polivac products are warranted for twelve (12) months from date of purchase by the original purchaser against faulty workmanship or material. The warranty covers only the replacement, repair or adjustment of any part which in the opinion of Polivac fails because of a fault in materials or workmanship:
 - a) drive motors and gearbox assemblies on electrical products carry a two (2) years warranty
 - b) bodies of carpet extraction products and vacuum cleaners carry a three (3) years conditional warranty.
 - c) battery warranty of twelve (12) months is as provided by the manufacturer. Terms available on request.
4. Where the product has been rented out by a Hire or similar company, the warranty period is reduced to three (3) months.
5. This warranty does not cover service calls, travelling time or consumable parts - e.g. drive belts, chains, flexible skirts or hoses, dust bags, mains leads, brushes, buffers, buffer strips, sanding discs, light bulbs, nozzles, filters, pressure pumps, piston seals, diaphragms, squeegees and like items.
6. In the case of proprietary components used by the manufacturer in the product, such as engines, electrical motors, chargers and the like, Polivac will pass on any warranty provided by the manufacture of such items.
7. Accidental damage, abuse, misuse or neglect of the product is not covered by warranty.
8. Fair wear and tear and where the product has been used other than for the purpose for which it was designed is not covered by warranty.
9. Use of non-approved chemicals and detergents in the product will void the warranty.
10. Products that have been modified are not covered by warranty.
11. Products that have not been serviced at their recommended intervals by an authorised Polivac Service Centre or Agent are not covered by warranty
12. Damage to, or failure of, the product which has resulted from low or high voltage, the use of an incorrectly sized extension lead, or a coiled electrical extension lead is not covered by warranty.
13. Repairs carried out on the product by any person other than an authorized Polivac repairer will void the warranty.
14. All freight charges to and from the manufacturer, agent or service centre will be the responsibility of the distributor.
15. A charge for traveling time and labour will be applicable for on-site warranty service.
16. Polivac reserves the right to replace defective parts of the product with parts or components of similar quality, grade and composition where an identical part or component is not available. Goods presented for repair may be replaced by refurbished goods of the same type rather than being repaired.

POLIVAC WARRANTY IS SUBJECT TO THE LAWS AND REGULATIONS OF THE INDIVIDUAL STATES AND COMMONWEALTH TERRITORIES OF AUSTRALIA. THIS WARRANTY IS NOT TRANSFERRABLE.

