

SSX

12/16/18

ELECTRIC 24 VOLT
2500 lbs. (1200 kg)
3500 lbs. (1600 kg)
4000 lbs. (1800 kg)

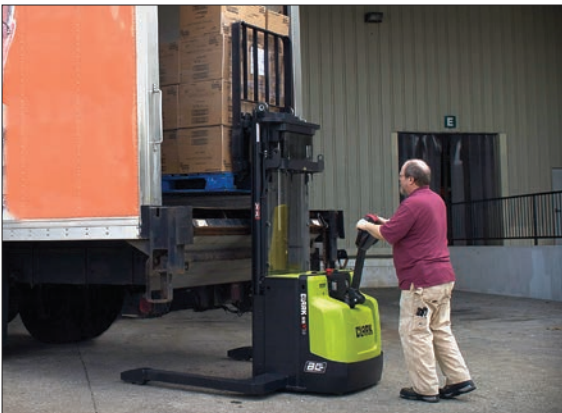


CLARK[®]
THE FORKLIFT

SSX

SSX...The CLARK Powrworker® line continues to set the standard for rugged dependability since its introduction as the industry's first hydraulically powered low-lift in 1920.

Highly Maneuverable, Easily Serviceable, Broadly Flexible, Extremely Dependable



24 Volts

24-Volt AC travel control with matching drive motor provide high performance throughout the entire speed range.

Maximum Maneuverability + AC Performance =
Ultimate Productivity & Value



34" - 51"

Adjustable Outrigger Arms

Silent-staging upright helps to reduce shock and vibration. Nested I-beam rails provide strength and rigidity. Cylinder and hose routing design provides open field of vision improving operator confidence.



SSX Performance and Safety in Mind

Rugged and reliable the new CLARK SSX stacker series forklift trucks offer superior controllability and excellent visibility. Offering high-speed operation to help increase productivity and profit while at the same time helping to improve operator safety. Now maintenance has been made easier than ever with fewer components. For increased performance, count on the new SSX stacker from CLARK.



SSX CAPACITY

SSX 12 2,500 lbs

SSX 16 3,500 lbs

SSX 18 4,000 lbs

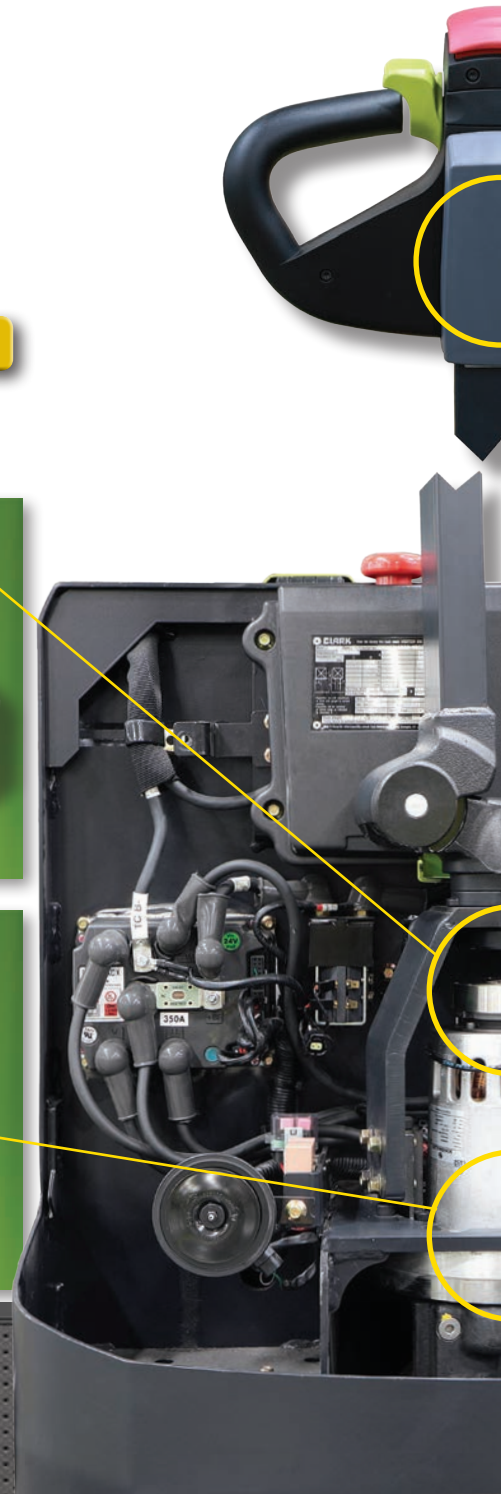
ELECTROMAGNETIC BRAKE

- No master cylinder, no seals, no hydraulic fluids mean no leaks.
- Brake engages with handle in the up or down position.
- Parking brake automatically applied when the truck is at rest.



DRIVE MOTOR

- CLARK AC design drive motor has no brushes to change, reducing operating costs. The motor has thermal protection built in which will reduce performance if over heating were to occur.

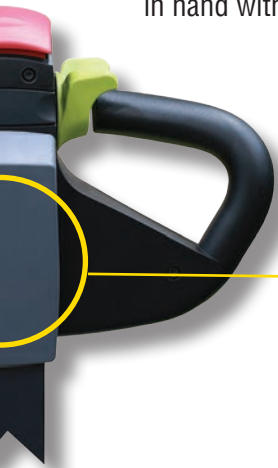
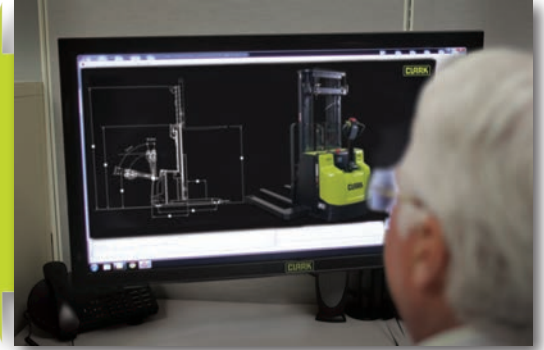


CALL OR VISIT CLARK TO LEARN MORE ABOUT THE SSX SERIES

North American Headquarters
866-252-5275 • www.clarkmhc.com

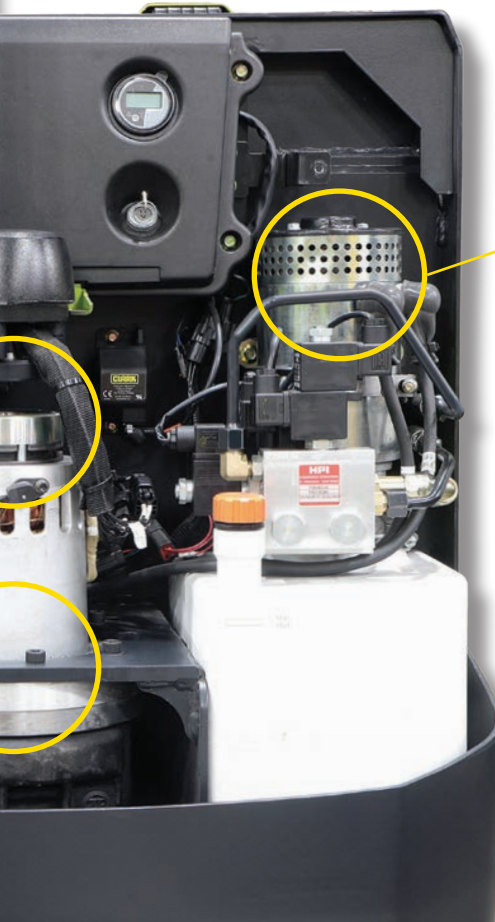
Design and Testing

At CLARK we have learned from over one hundred years of designing and building forklifts that they need to be designed from the ground up to be reliable. We perform extensive testing to ensure that our electric forklift trucks meet high environmental standards and provide reliable operation in most environments. Testing of components, subassemblies and complete products goes hand in hand with all phases of the design and production cycle.



OPERATOR HANDLE

- Ergonomic design with the operator in mind. High strength plastic to protect against impact damage.
- Optional Key pad with 4 digit passcode for operator access. Through the keypad, truck speed and acceleration can be adjusted to meet the application or operator preference.



HYDRAULIC SYSTEM

- The Integral Power Pack inclusive of pump motor, hydraulic tank and valve, keeps the system compact and reduces services requirements.

Standard Equipment

- Adjustable Outriggers
- Electro Magnetic Brake
- Load Back Rest
- Hour Meter
- Safety Plexiglass Guard
- AC Drive Motor

Available Equipment

- Side shifter
- Smart Travel Alarm
- Creep Speed Switch
- Key Pad with User Code
- Wire Mesh Mast Guard
- Welded Outriggers

GENERAL DATA & STANDARD DIMENSIONS

Battery Compartment Dimensions

	Width (W) inches (mm)	Length (L) inches (mm)	Height (H) inches (mm)
SSX 12/16	26.0 (660)	8.9 (225)	24.4(620)
SSX 18	26.0 (660)	11.4 (290)	24.4(620)

Location	Lead Length	Connector/Color
B	24	SB175/Red

Available Fork Lengths

Nominal Length		Actual Length	
inches	mm	inches	mm
36	914	33.5	853
42	1067	39.5	1005
48	1219	45.5	1158
60	1524	57.5	1462

Notes

Performance may vary +5% and -10% due to motor and systems efficiency tolerance. The performance shown represents nominal values which may be obtained under typical operating conditions with a standard machine.

ANSI/ITSDF and Insurance Classification

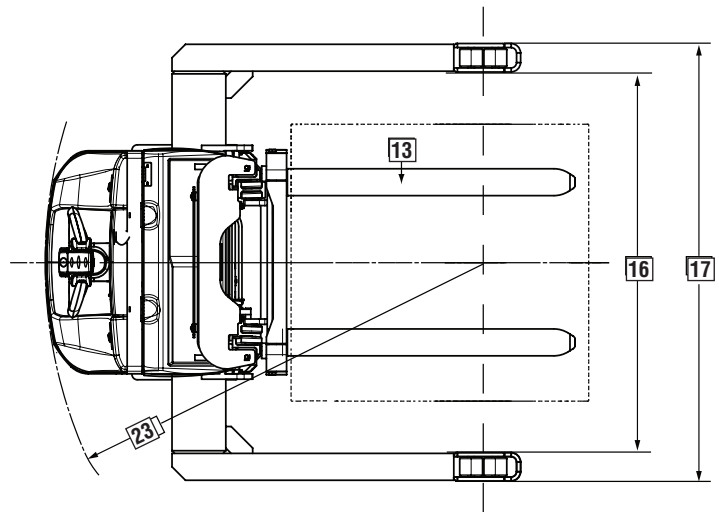
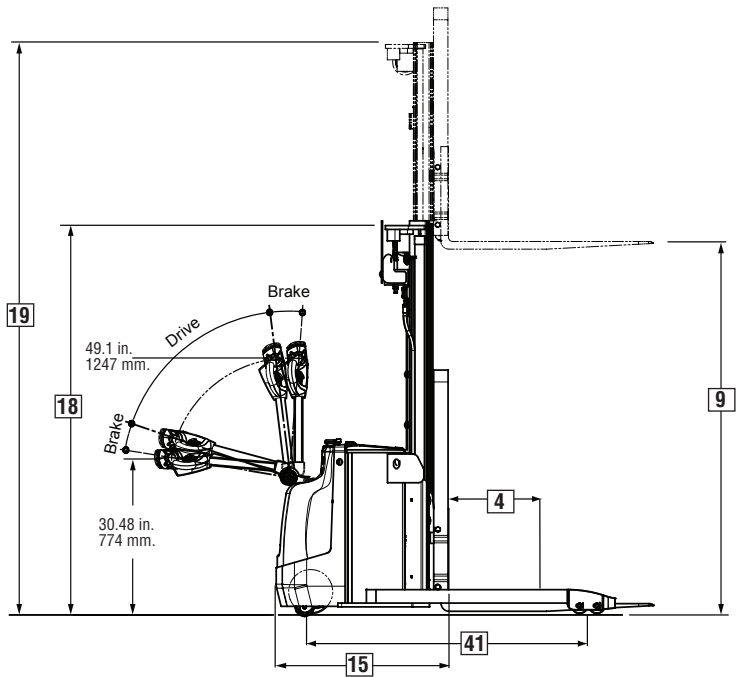
Standard truck meets all applicable mandatory requirements of Part III-ANSI/ITSDF B56.1 Safety Standard for Powered Industrial Trucks (latest edition at time of manufacture.)

Users should be aware of, and adhere to, applicable codes and regulations regarding operator training, use, operation and maintenance of powered industrial trucks, including:

- ANSI/ITSDF B56.1
- NFPA 505, fire safety standard for powered industrial trucks - type designations, areas of use, maintenance and operation.
- Occupational Safety and Health Administration (OSHA) regulations that may apply.

Contact your authorized CLARK forklift truck dealer for further information including operator training programs and auxiliary visual and audible warning systems, fire extinguishers, etc., as available for specific user applications and requirements.

Specifications, equipment, technical data, photos and illustrations are based on information at time of printing and are subject to change without notice. Some products may be shown with optional equipment.



& Don't Forget... Safety Starts With You!

Before operating an motorized hand truck, an operator must:

- Be trained, authorized and competent to operate this truck
- Read and understand operator's manual
- Not operate a faulty motorized hand truck
- Not repair an motorized hand truck unless trained and authorized
- Perform daily inspections

During operation, an motorized hand truck operator must:

- Never carry or lift passengers
- Keep truck away from people and obstructions
- Travel with lift mechanism as low as possible
- Allow safe stopping distance and come to a complete stop

To park a motorized hand truck, an operator must:

- Completely lower forks or attachments
- Turn key off

STANDARD SPECIFICATIONS

General Information	1	Manufacturer		Clark	Clark	Clark	
	2	Model	Manufacturer's Designation	SSX12	SSX16	SSX18	
	3	Load Capacity	lbs(kg)	2500 (1200)	3500 (1600)	4000 (1800)	
	4	Load Center	Fork Face to Load CG	in(mm)	24 (600)	24 (600)	24 (600)
	5	Power Unit	Electric	24 volt - Electric	24 volt - Electric	24 volt - Electric	
	6	Operator Type		Walkie	Walkie	Walkie	
	7	Tire Type		Poly / Urethane	Poly / Urethane	Poly / Urethane	
	8	Wheels (x=driven)	Front/Rear	1X / 4	1X / 4	1X / 4	
Basic Dimensions	9	Upright ¹	Maximum Lift Height, Full Capacity	in(mm)	119 (3023)	119 (3023)	119 (3023)
	10		Lift Height (Preferred Upright)	in(mm)	120 (3042)	120 (3042)	120 (3042)
	11		Freelift	in(mm)	3.2 (82)	3.2 (82)	3.2 (82)
	12	Upright Tilt	Back/Forward	degrees	0 / 0	0 / 0	0 / 0
	13	Forks	Std. Fork Size (T x W x L)	in(mm)	1.5 x 4 x 42 (40 x 100 x 1070)	1.5 x 4 x 42 (40 x 100 x 1070)	1.5 x 4 x 42 (40 x 100 x 1070)
	14	Carriage	Width of Carriage	in(mm)	31 (787)	31 (787)	31 (787)
	15	Overall Dimensions	Length to Fork Face (TSU)	in(mm)	33 (834)	34 (868)	37 (933)
	16		Outriggers I.D. ¹	Adjustable	34 (865) to 51 (1295)	34 (865) to 51 (1295)	34 (865) to 51 (1295)
	17		Width Over Frame	in(mm)	I. D. + 8" (203)	I. D. + 8" (203)	I. D. + 8" (203)
	18		Height, Upright Lowered	in(mm)	81 (2050)	81 (2050)	81 (2050)
	19		Height, Upright Extended	in(mm)	141 (3594)	141 (3594)	141 (3594)
	20						
	21						
	22						
	23	Turning Radius		in(mm)	61.5 (1563)	61.5 (1563)	64.1 (1628)
	24						
25	Right Angle Stack Aisle	Add Load Length and Clearance	in(mm)	95.3 (2422)	95.3 (2422)	98.5 (2501)	
26							
Performance	27	Stability	According to ANSI		Yes	Yes	Yes
	28	Speeds	Travel Speed, Max, With Load	mph(kph)	3.7 (6)	3.7 (6)	3.7 (6)
	29		Travel Speed, Max, Without Load	mph(kph)	3.7 (6)	3.7 (6)	3.7 (6)
	30						
	31						
	32						
	33						
Weights³	34	Service Weight, TSU	W/Min Battery Weight	lbs(kg)	2029 (920)	2227 (1010)	2360 (1070)
	35	Axle loading	With Load, Front	lbs(kg)	1636 (742)	1727 (783)	1899 (861)
	36		With Load, Rear	lbs(kg)	3038 (1378)	4029 (1827)	4430 (2009)
	37		W/O Load, Front	lbs(kg)	1440 (653)	1559 (707)	1652 (749)
	38		W/O Load, Rear	lbs(kg)	589 (267)	668 (303)	708 (321)
Chassis	39	Tires	Number, Front/Rear		2 / 2	2 / 2	2 / 2
	40		Size, Front	in(mm)	9.0 x 3.2 (230 x 82)	9.0 x 3.2 (230 x 82)	9.0 x 3.2 (320 x 82)
			Size, Rear	in(mm)	2 x 3.3 x 2.75 (2x85x70)	2 x 3.3 x 2.75 (2x85x70)	2 x 3.3 x 2.75 (2x85x70)
			Caster Wheels	in(mm)	4.8 x 2	4.8 x 2	4.8 x 2
	41	Wheelbase		in(mm)	54 (1384)	54 (1384)	57 (1449)
	42	Track	Front, Cushion	in(mm)	35.8 (909)	35.8 (909)	35.8 (909)
	43		Rear Cushion	in(mm)	34.2 (869)	34.2 (869)	34.2 (869)
	44	Ground Clearance	Min w/o Load	in(mm)	2.2 (55)	2.2 (55)	2.2 (55)
	45		At Center of Wheelbase	in(mm)	1.4 (55)	1.4 (55)	1.4 (55)
	46	Service Brake	Type		Regenerative	Regenerative	Regenerative
47	Parking Brake	Type		Auto-Electro magnetic	Auto-Electro magnetic	Auto-Electro magnetic	
	Steering	Type		Pivot arm	Pivot arm	Pivot arm	
Drive Line	48	Battery	Type		Lead-Acid	Lead-Acid	Lead-Acid
			Max Capacity (6 hr. Rate)	kwh	6	6	8
			Weight, Min	lbs(kg)	377 (171)	377 (171)	509 (231)
	49	Motors, Controls	Drive Motor, Diameter	in(mm)	5.1 (130)	5.1 (130)	5.2 (133)
			Hydraulic Motor, Diameter	in(mm)	5.1 (130)	5.1 (130)	5.2 (133)
			Drive Motor Control		AC	AC	AC
			Speed Control		Mosfet	Mosfet	Mosfet
		Hydraulic Motor Control		DC	DC	DC	
57							
58	Sound Level	Avg. at Operator's Ear Per ANSI B56.11.5	dB(A)	66.1	66.1	66.1	

Notes: 1) Bolt on type outrigger ID : 34" (865mm) ~ 51" (1295mm) (based on the outriggers) (857mm) ~ (1287mm) (based on the load wheels)
Welded type outrigger ID : 52" (1320mm) ~ 56" (1422mm) (based on the outriggers) (1312mm) ~ (1414mm) (based on the load wheels)
*CLARK Products and specification are subject to change without notice.

- We don't just build material handling equipment. As a company, we are also focused on providing our customers with the best possible technical service support and aftermarket parts available.
- Even though our business starts with a quality, cost-effective product, our organization understands that it is the support and service we provide after the sale that help keep your business running at peak efficiency.
- **THE CLARK PartsPRO®Plus SYSTEM** is our industry-leading electronic parts and service documentation tool that provides dealers with a quick and accurate method of identifying parts for every CLARK lift truck built since 1961. PartsPRO®Plus ensures the availability of the most current technical information and has the unique capability to create parts manuals specific to your mixed CLARK fleet, making it simple to positively identify and order the correct part from your local CLARK dealer. The right CLARK parts — The First Time, Every Time.
- **UNRIVALED PARTS SUPPORT** Our Aftermarket Distribution Center provides parts to over 250 North American CLARK dealers and many international dealers. This CLARK operated 184,000 square foot facility is dedicated to supporting the CLARK models built over nearly 100 years. This facility is focused on providing excellent off-the-shelf availability, quality parts, quick response time and competitive pricing.

DEPENDABLE PARTS = DEPENDABLE TRUCKS

To Find Your Nearest Authorized CLARK Dealer, Visit Our Website www.clarkmhc.com

BUILT TO LAST.®



CLARK Material Handling Company
 North American Headquarters
 700 Enterprise Drive • Lexington, KY 40510
 866-252-5275 • www.clarkmhc.com



© 2015 CLARK Material Handling Company. All rights reserved.

SSX Feature Brochure
 Printed in USA **MP08155M**