



## Flexible and Simple Handling

The following features can be operated electronically using the control panel in the light head:

- On/off switching
- Ambient mode
- 10-step brightness control



## HyLED 600M

### Mobile LED Surgical Light

HyLED 600M offers a surgical light solution for emergency OR and minor surgery:

#### Maximum flexibility

With the ultra-agile mobile base, four castors locking system and ergonomic handle design, HyLED 600M goes where you need with excellent performance.

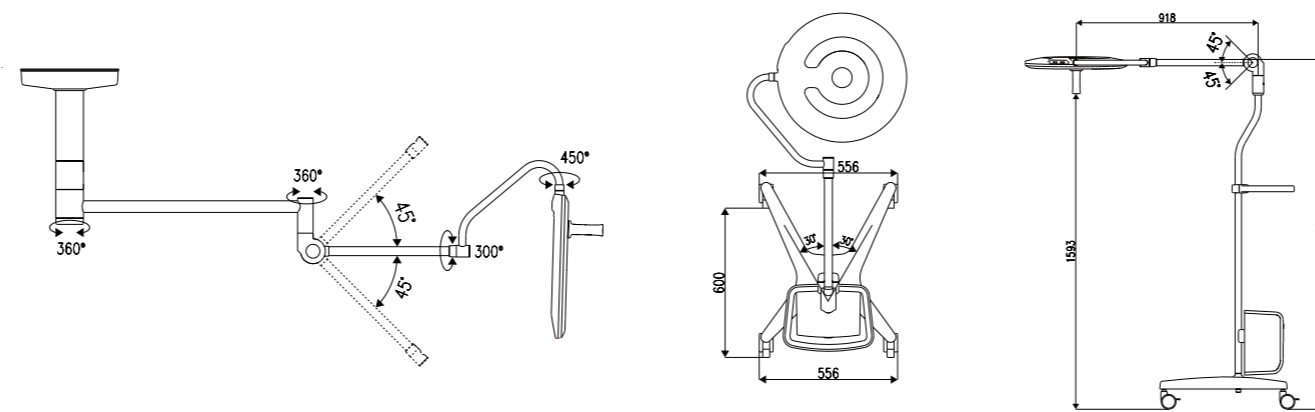
#### Reliable battery

Power module supply can support up to 10 hours (normal state).



## Technical Specifications

	HyLED 600/600M
Central illuminance (at 1m distance)	130,000lux
Light field diameter(at 1m distance)	220mm
Depth of illumination (20%)	1,200mm
Depth of illumination (60%)	600mm
Color temperature	4,350K
Color rendering index (Ra)	96
Color rendering index (R9 )	96
Service life of bulb	≥60,000h
Dimming range	5-100%
Light head dimension	540mm
Number of LED bulbs	18
Max. power consumption of all light sources	65w



3HWK 8EW3RSHWV:DD  
688 8EW%LHOG6WODFTD3D16:  
OHOER88W0KDP6W3RW/OHOER9,&

+386788SDM/FRP  
SDM/FRP

**mindray**



**mindray**  
healthcare within reach



**HyLED 600** NEW  
LED Surgical Light



# HyLED 600

## LED Surgical Light

Day surgery, which does not require an overnight hospital stay, become more and more popular due to the increasing maturity of noninvasive surgical techniques.

Designed for day/minor surgery, HyLED 600 provides high quality illumination, with better tissue differentiation and natural color.

- 130,000 lux illuminance designed for day/minor surgery
- Better tissue differentiation with color rendering index(Ra & R9) at 96
- Ambient mode through separate control key
- Five-year warranty for LED bulb

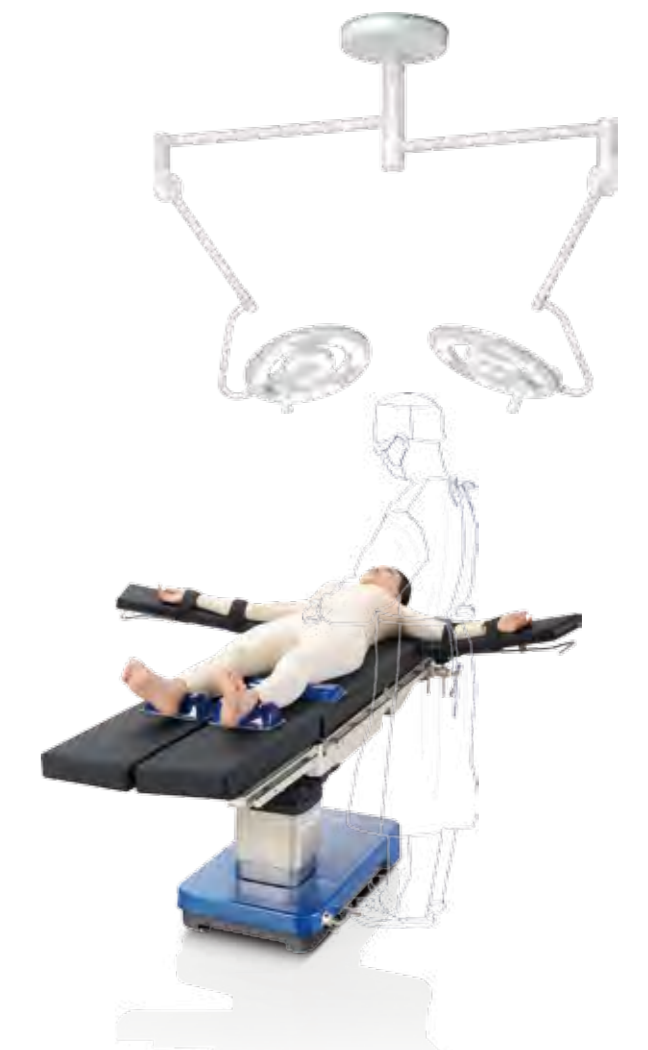
### Plastic surgery

- 22cm light field diameter for superficial operation
- Dual light head supporting chin and brow surgery simultaneously




### General surgery

- 130,000 lux intensity with 1200mm depth
- Better tissue differentiation with color rendering index(Ra & R9) at 96



### Endoscopic surgery

- Ambient mode through separate control key 
- Slim & compact design for laminar flow concern



### Obstetrics and Gynaecology

- Easy light head positioning for the doctor while sitting or standing
- Better shadow dilution 50% with tube two masks for vagina & NOTE surgery

