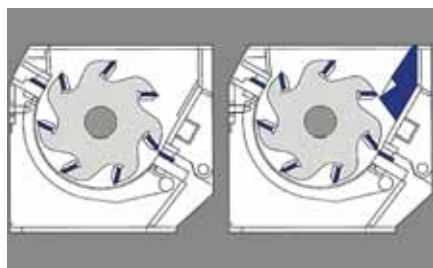


# GSH 800

## Heavy Duty Granulator

- Knives are adjusted outside of the machine
- Specially developed deflector wedge
- Wide choice of rotors
- Well thought out housing design
- Strong Welded Steel construction
- Oversized outboard bearings



The easily removable deflector wedge acts as a third stator blade and can be used to adjust the aggressiveness of the rotor at the first cutting point.



The GSH granulators are available with different rotor options to fit different applications, all rotors feature the V-cut technology creating a high quality regrind.



For abrasive applications the GSH granulators can be equipped with rotors with key parts manufactured from highly wear resistant steel as well as weld on hard facing.

### General Description

The heavy duty granulators of the GSH 800 series offer a wide array of different rotor designs with widths ranging from 1200 mm to 2000 mm with a diameter of 800 mm. The completely welded heavy steel construction is designed to withstand the most demanding and universal applications. Rotor bearings, knife mounts and rotor shaft are oversized. The standard V-cut creates a high quality regrind with a very low percentage of fines in the output material. The removable third stator blade is acting as a deflector wedge and allows the machine to be quickly adjusted to different application scenarios. Other standard features include easily replaceable wear plates in the cutting chamber as well as outboard bearings reducing the risk of contamination.

### Applications

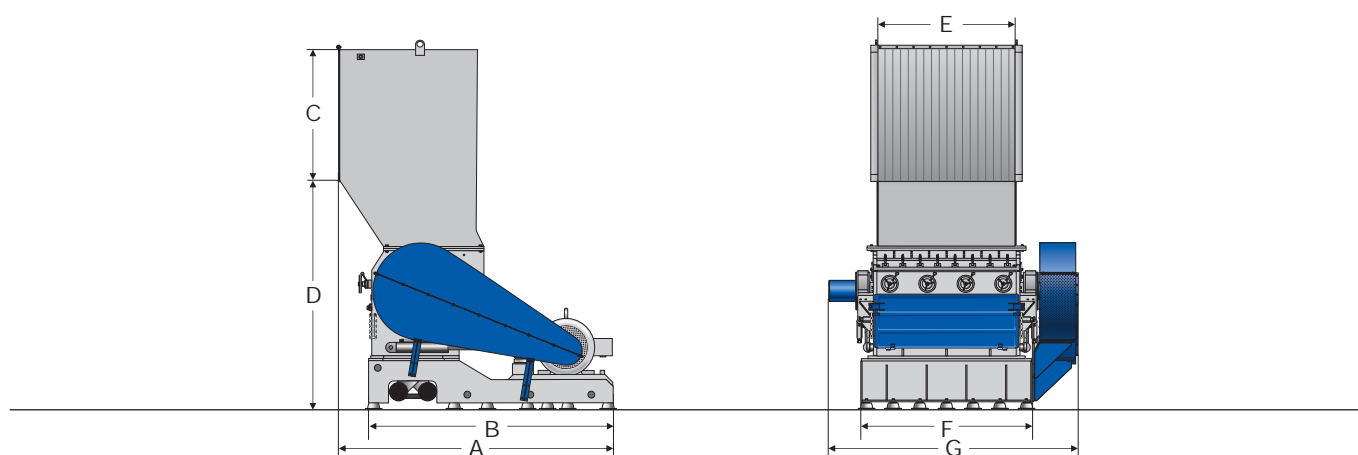
The wide range of rotors and hopper styles allow the GSH machines to be tailored to almost every application in the plastic recycling field, mainly with high throughput requirements. The GSH 800 series can be used to grind large thick walled parts down to a granule in one step, or be used as a second step granulator after a ZXS shredder to reach very high throughput rates. When used to grind light materials, such as bottles the throughput can be greatly increased with the addition of a ZERMA force feeding device. For abrasive, contaminated or highly filled materials the machines can be equipped with special wear protections, such as hard facing of the rotor and housing and key parts manufactured from highly wear resistant steels.



The Home of Size Reduction

# GSH 800

## Heavy Duty Granulator



### Technical Specifications and Dimensions

#### Model

Rotor diameter (mm)
Rotor width (mm)
Drive capacity (kW)
Rotor knives (rows)
Stator blades (rows)
Screen size (mm)
Effective working area (mm)
Weight approx (kg)

#### 800/1200

800
1200
132
5 or 7 or 9
2 or 3
>8
1150 x 915
10400

#### 800/1600

800
1600
160
5 or 7 or 9
2 or 3
>8
1570 x 915
12500

#### 800/2000

800
2000
2 x 160
7 or 9
2 or 3
>8
1960 x 915
13500

A (mm)

3100

3175

2755

B (mm)

2885

2800

2600

C (mm)

1200

1400

1600

D (mm)

2250

2600

3055

E (mm)

1150

1570

1965

F (mm)

1535

1970

2250

G (mm)

2400

2860

3465

ZERMA MACHINERY & RECYCLING TECHNOLOGY CO. LTD.

5 Xinjie Rd Xinqiao Township Ind. Park

Songjiang · Shanghai · China

Phone : +86 21 57645573 · info@zerma.com

Technical modifications reserved / ver1.7 - 08.2015 / en

zerma.com

