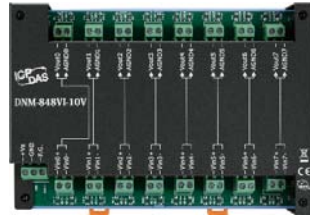




DNM-843VI-600V
DNM-843VI-800V

3-channel Voltage Attenuator with channel to channel isolation



DNM-848VI-10V
DNM-848VI-80V
DNM-848VI-150V

8-channel Voltage Attenuator with channel to channel isolation

Features

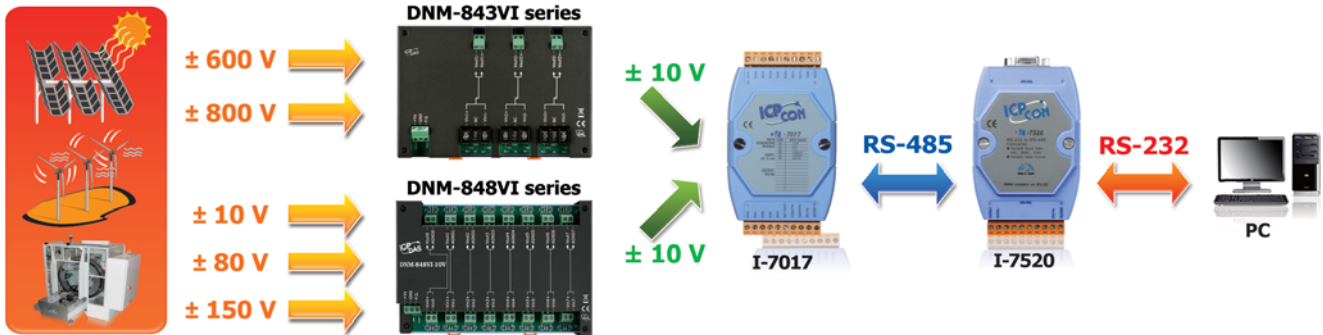
- AC/DC Source Input
- High Voltage Input Measurement
- Linear Attenuation Ratio
- High Input Impedance
- Channel to Channel Isolation
- 4 kV ESD Protection
- 3 kV Surge Protection
- Easily Wire Connection



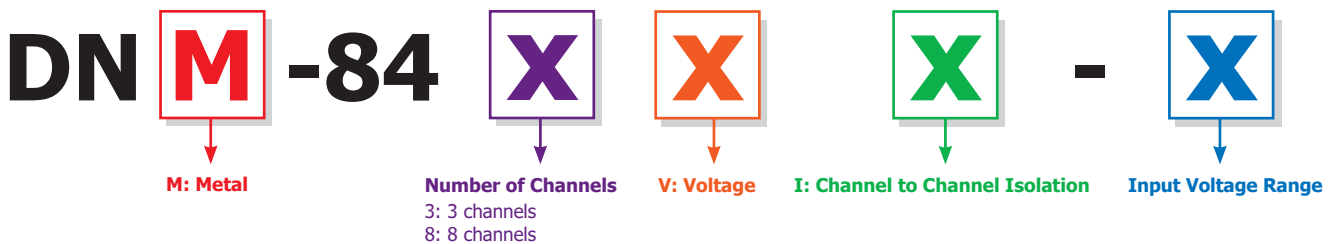
Introduction

The DNM-843VI series and DNM-848VI series are voltage input attenuator. The maximum input range is from ± 80 to ± 800 V can be attenuated to ± 10 V. provide 3000 VDC intra-modules isolation and 3000 VDC channel to channel isolation to avoid the noise interference from inputs to outputs or channel to channel. It can be used with the analog input modules such as I-7017, I-87017, M-7017RMS and I-87017W-RMS etc. to measure the high voltage.

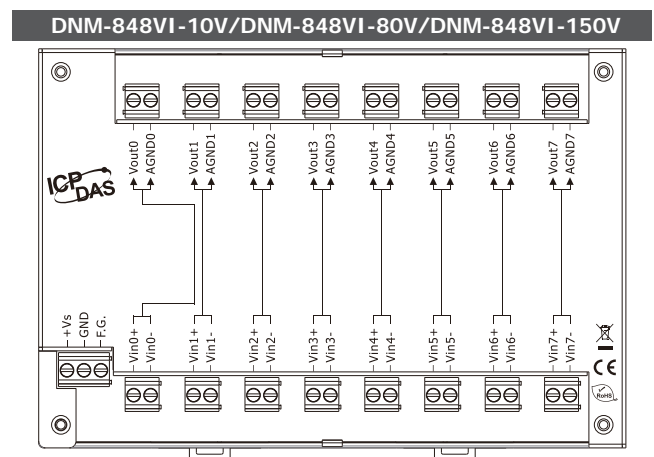
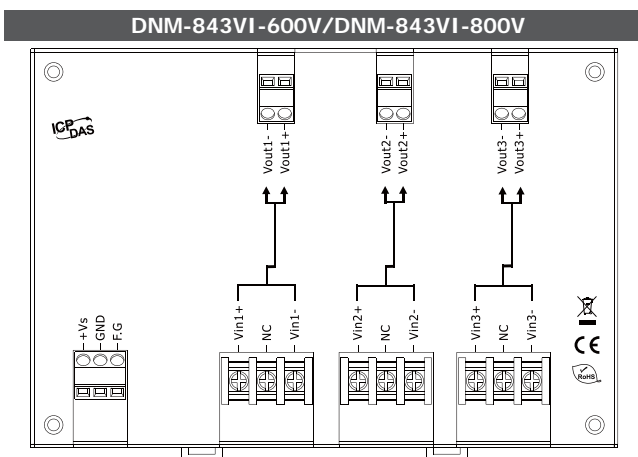
Applications



Selection Guide



Appearance



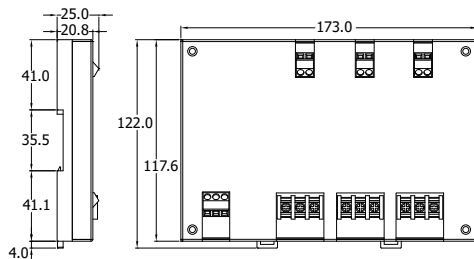


Specifications

Models	DNM-843VI-600V	DNM-843VI-800V	DNM-848VI-10V	DNM-848VI-80V	DNM-843VI-150V
EMS Protection					
ESD (IEC 61000-4-2)	±4 kV contact for power line, input and output channels, ±8 kV air for random point				
Surge (IEC 61000-4-5)	±3 kV for power liner				
Analog Input					
Channels	3		8		
Type	AC/DC Voltage				
Range	±600 Vpp	±800 Vpp	±10 Vpp	±80 Vpp	±150 Vpp
Accuracy	1% of FSR				
Bandwidth	30 KHz				
Input Impedance	>1 MΩ				
Channel-to-Channel Isolation	3000 VDC				
Intra-module Isolation	3000 VDC				
Analog Output					
Channels	3		8		
Type	AC/DC Voltage				
Range	±10 Vpp				
Power Input					
Input Range	+10 ~ +24 VDC				
Power Consumption	0.56 W		9.2 W		
Mechanical					
Casing	Metal				
Dimensions (W x L x D)	173 mm x 122 mm x 25 mm		173 mm x 122 mm x 35 mm		
Installation	DIN-Rail Mounting				
Environment					
Operating Temperature	-25 ~ +75 °C				
Storage Temperature	-30 ~ +75 °C				
Humidity	10 ~ 90% RH, Non-condensing				

Dimensions (Units: mm)

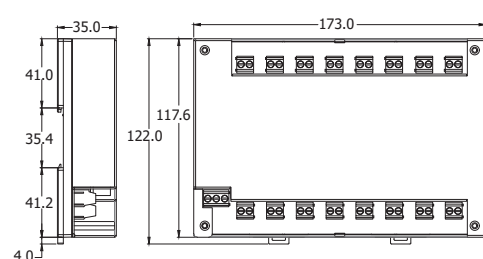
DNM-843VI-600V/DNM-843VI-800V



Left View

Front View

DNM-848VI-10V/DNM-848VI-80V/DNM-848VI-150V






Left View

Front View

Ordering Information

DNM-843VI-600V CR	3-channel 600 VDC Voltage Attenuator with channel to channel isolation (Metal) (RoHS)
DNM-843VI-800V CR	3-channel 800 VDC Voltage Attenuator with channel to channel isolation (Metal) (RoHS)
DNM-848VI-10V CR	8-channel 10 VDC Voltage Attenuator with channel to channel isolation (Metal) (RoHS)
DNM-848VI-80V CR	8-channel 80 VDC Voltage Attenuator with channel to channel isolation (Metal) (RoHS)
DNM-843VI-150V CR	8-channel 150 VDC Voltage Attenuator with channel to channel isolation (Metal) (RoHS)

Accessories

 MDR-20-24 CR	24 V/1 A, 24 W Power Supply with DIN-Rail Mounting (RoHS)
 I-7017-G CR	8-channel Analog Input Module with DCON Protocol (Gray Cover) (RoHS)
 I-87017-G CR	8-channel Analog Input Module (RoHS)