

3U INDUSTRIAL COTS CHASSIS

MODEL 4403

Model 4403 is a member of NIS' 3U Industrial-grade COTS (ICOTS) chassis family, accommodating a 5-slot, 3U or 6U Eurocard backplane, or ATX motherboard.

Field replaceable fan trays are an option for the Model 4403 and utilize a separate intake and exhaust fan tray with an MTTR of <2 minutes, and are affixed to the main chassis using captive hardware.

Peripherals can be added to the Model 4403 for added functionality. An Optional Slim Line DVD Drive is shown in the product photograph.

TMP Series Industrial-grade Power Supplies are used on all ICOTS Chassis. The Model 4403 comes with a 450W AC input model. A 650W model is available; contact NIS for ordering and price information.

An optional **System Environmental Monitor (SEM)** can be installed inside the chassis to remotely (via onboard Ethernet TCP/IP) monitor and control chassis parameters to ensure optimal operating conditions. Budget-conscious configurations should consider the **SEM-Lite** automatic fan speed controller in lieu of the full-featured SEM.

Customization is available on all ICOTS Chassis models. Please contact NIS with your unique requirements!



- **Welded bucket chassis provides high torsional rigidity and overall strength**
- **Tabletop, rackmount or custom configurations**
- **5-Slot Eurocard backplane or ATX mobo**
- **Intake and exhaust fan trays are FRU design**
- **6U x 160mm front subrack and 6U x 80mm Rear Transition Module (RTM) subrack**
- **System Environmental Monitor (SEM) option**
- **New! SEM-Lite automatic fan speed controller (optional in lieu of SEM)**
- **Customizable front and rear panels**
- **450W industrial Power Supply (650W option)**
- **Autorangeing 100-264 VAC input; optional 18-32 VDC input**
- **Front Mounted Power Switch and LED indicators**
- **Mounting for Low Profile Optical Drive and Dual 2.5" Slim Line Hard Drives (Slim Line DVD Drive Shown in Photo)**



Used in Terminal High Altitude Area Defense (THAAD) control system



Metromatics

For further information or pricing, please contact us:

Melbourne 03 9872 4592 Sydney 02 9460 4355
Brisbane 07 3868 4255 Adelaide 08 8343 8516

sales@metromatics.com.au
www.metromatics.com.au

For more information on our wide range of capabilities, products, and services, please visit our web site at:

www.novaintegration.com



SPECIFICATIONS

ENVIRONMENTAL CHARACTERISTICS

Temperature - Operating -20°C to +50°C (100% rated output)
 Temperature - Operating -20°C to +70°C (75% rated output)
 Temperature - Storage -20°C to +85°C
 Humidity, Operating 5-90% non-condensing
 Vibration - Random 0.5G 10-2000 Hz
 Vibration - Sinusoidal 0.5G 10-500 Hz
 Bench Handling Designed to meet MIL-STD-810F, Method
 516.5 Procedure VI
 Shock - Operating 1G, 11 ms ½ sine
 Shock - Non-operating 2G, 11 ms ½ sine
 EMC/EMI FCC Class A
 EN 55022 A
 Altitude - Operating -1,500 ft. to 10,000 ft.
 Altitude - Non-Operating -1,500 ft. to 40,000 ft.
 Inclination 0° to 30° in any axis
 ESD Designed to meet MIL-STD-1686A

PERFORMANCE CHARACTERISTICS

Backplane Up to 5-Slot Eurocard or Custom
 Front Loading Card Cage
 Rear Transition Module
 Motherboard Alternately, the chassis can be outfitted with
 one ATX style motherboard
 System MTBF Backplane: >100,000 hrs
 Motherboard: >50,000 hrs
 Cooling Field replaceable intake and exhaust fan
 trays with high CFM DC fans
 Chassis Monitoring Optional SEM System Environmental Monitor
 Fan speed control Optional SEM-Lite Automatic Fan Speed
 Controller
 Disk drive configurations 1 ea. Slim Line DVD Drive (mounting)
 2ea. Slim Line 2.5" HDD (internal mounting)
 1 ea. 3.5" HDD (internal mounting in lieu of
 mounting for 2.5 inch HDD)

PHYSICAL CHARACTERISTICS

Size 19" W x 5.21" H x 18" D [20" D optional]
 Weight 25 lb.
 Mounting configurations Rackmount or tabletop
 Humidity 10% to 95%, non-condensing

ELECTRICAL CHARACTERISTICS

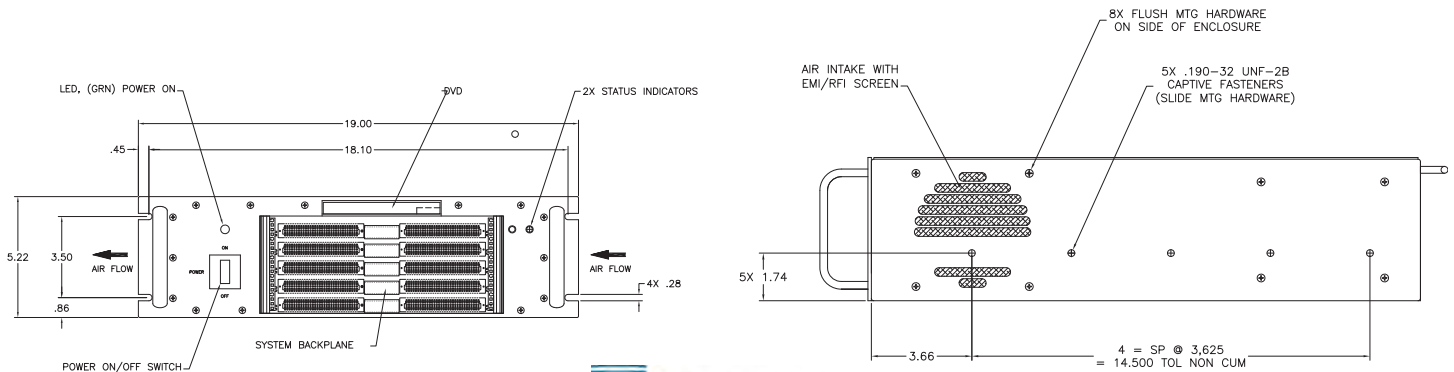
Input Power Standard 100 - 264 VAC @ 47 - 63 Hz
 Options: 115 VAC @ 400 Hz; 18-32 VDC
 Input Power Connector IEC 60320 (C-14 Plug Type)
 Option: MS3472W12-3PY
 Power Supply Standard 450W
 Option: 650W

ORDERING TABLE

95-4403-05623-001	5-Slot cPCI; rackmount; 450W TMP PS; Push-Pull fan system; No SEM or SEM-Lite fan controller; 18 in. D
95-4403-05423-001	5-Slot VME64x; rackmount; 450W TMP PS; Push-Pull fan system; No SEM or SEM-Lite fan controller; 18 in. D
95-4403-05623-002	5-Slot cPCI; rackmount; 450W TMP PS; Push-Pull fan system; SEM-Lite fan controller installed; 18 in. D
95-4403-05623-003	5-Slot cPCI; rackmount; 450W TMP PS; Push-Pull fan system; full SEM monitor/controller installed; 18 in. D
95-4403-05423-002	5-Slot VME64x; rackmount; 450W TMP PS; Push-Pull fan system; SEM-Lite fan controller installed; 18 in. D

More configurations are available; contact your local rep or NIS directly

CHASSIS DRAWINGS



NOVA INTEGRATION SOLUTIONS IS PROUD TO BE A VITA MEMBER

