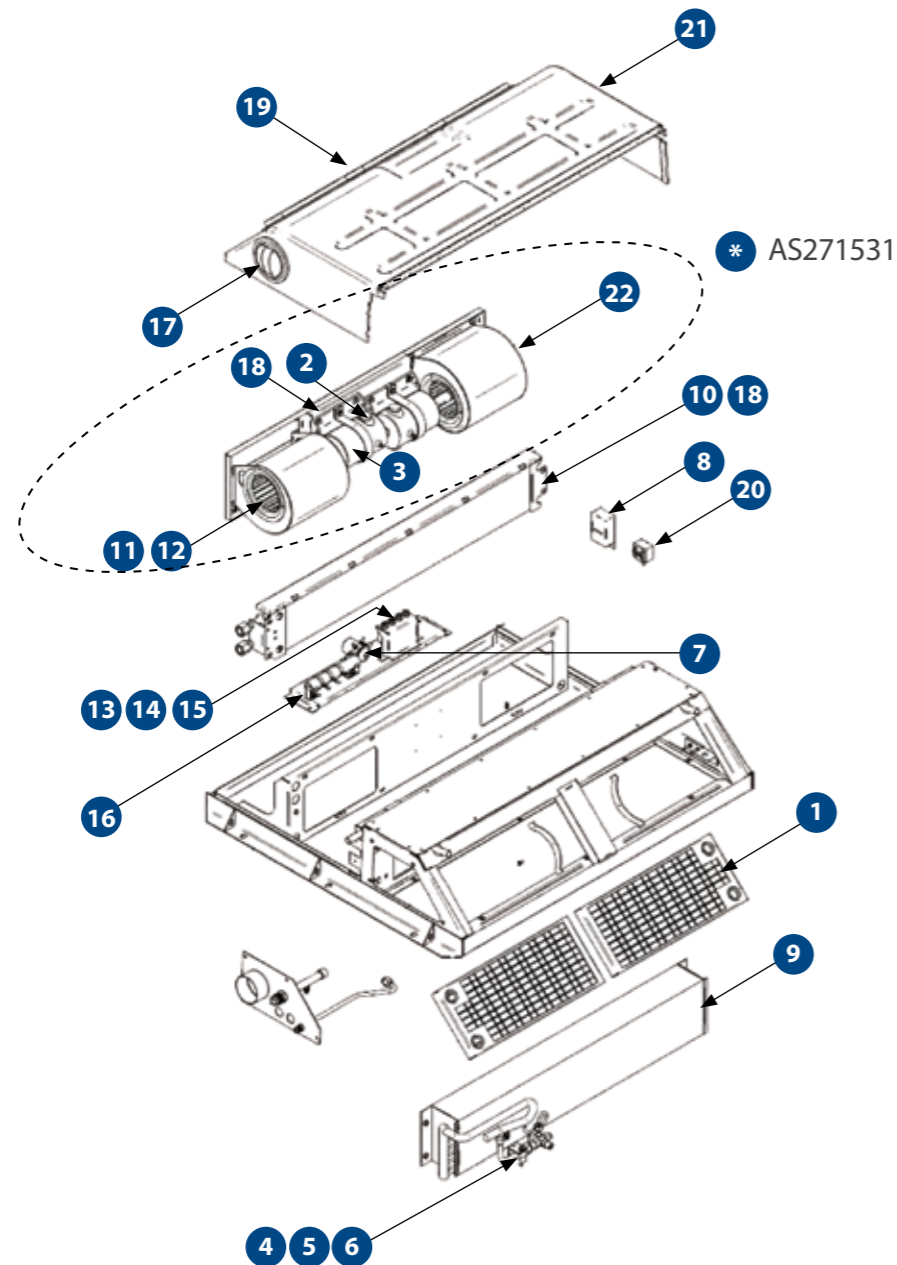




## TFC8 CEILING EVAPORATOR

**TFC8BX1**  
Ceiling Evaporator 8kW 24V

**TFC8BX2**  
Ceiling Evaporator 8kW 24V with Electric Heating



## SPARE PARTS

PART NO.	DESCRIPTION	QTY
1	AS271535 RETURN AIR FILTER	2
	AS271535S RETURN AIR FILTER - DISPOSABLE OPTION	2
2	AU320622 BRUSH MOTOR 24VDC EACH HEAVY DUTY	4
3	H0039230 MOTOR UE026 WITH UPGRADED BRUSH	2
4	AU521509 TX VALVE 2T 3/8" IN 1/2" OUT 1/4" EQ R134A	1
5	AU521508 TX ORIFICE 2T R22 #06	1
6	AU523365 LOW PRESSURE SWITCH 1/4" FF 205kPa	1
7	UE072 RELAY 24VDC 70A AUTOMOTIVE	1
8	AU681925 THERMOSTAT 12-24VDC WITH SENSOR + POT	1
9	AU120394 EVAPORATOR COIL 864MM X 166MM X 95MM 4RW TFC8	1
10	AU130009 HEATER COIL 864MM X 152MM X 32MM 2RW TFC8	1
11	AU410105 BLOWER 120D X 178W X 3/8 CW DUAL INLET	2
12	AU410902 INLET RING 105MM	4
13	AU641065 CIRCUIT BREAKER 25A PUSH PULL	1
14	AU641067 CIRCUIT BREAKER 35A PUSH PULL	1
15	AU641C111 CIRCUIT BREAKER 5A PUSH PULL	2
16	AU692107 RESISTOR 2 OHM 100W 3 CLIPS ADJUSTABLE	1
17	AS271531 DIFFUSER ROUND 120MM POLYAMIDE	2
18	UC027 EVAPORATOR MOTOR MOUNT	2
19	UC901 DIFFUSER 246 X 104MM	3
20	UE016 THERMOSTAT DEICE STUD	1
21	S271531 TFC8 EVAPORATOR COVER PLASTIC	1
22	AS198603 SUPPLY AIR BLOWER ASSEMBLY	2
	AS271531 SUPPLY AIR FAN ASSEMBLY	
	AS271576 HEATER ASSEMBLY (TFC8BX2)	1

SPARE PARTS LIST CONTINUED NEXT PAGE

## SPECIFICATIONS

	METRIC	IMPERIAL
<b>Cooling Capacity</b>	8.0 kW	27296 BTU
<b>Heating Capacity</b>	10.0 kW / 6kW	34120 BTU / 20473 BTU
<b>Fan Speeds</b>	3	3
<b>Air Flow</b>	325 l/s	689 CFM
<b>Fresh Air</b>	30 l/s	64 CFM
<b>Power Supply</b>	24V	24V
<b>Current Draw</b>	30 A	30 A
<b>Refrigerant</b>	R134a	R134a
<b>Maximum Ambient Temperature</b>	54°C	129°F
<b>Weight (nominal)</b>	70.0 Kg	154.0 lbs
<b>Technical Manual Reference</b>	SM278-2715	SM278-2715
<b>Dimension (L X W X H)</b>	1100mm X 900mm X 221mm	43.3in X 35.4in X 8.7in

## MAINTENANCE

### MONTHLY / 500 HOURS

<b>AS271535</b>	RETURN AIR FILTER
<b>AS271535S</b>	RETURN AIR FILTER - DISPOSABLE OPTION

### 6 MONTHS / 2,400 HOURS

<b>AU320622</b>	BRUSH MOTOR 24VDC EACH HEAVY DUTY
-----------------	-----------------------------------

### ANNUAL / 4,800 HOURS

<b>H0039230</b>	MOTOR UE026 WITH UPGRADED BRUSH
-----------------	---------------------------------

### 3 YEARS / 14,400 HOURS

<b>AU521509</b>	TX VALVE 2T 3/8" IN 1/2" OUT 1/4" EQ R134a
<b>AU521508</b>	TX ORIFICE 2T R22 #06
<b>AU523365</b>	LOW PRESSURE SWITCH 1/4" FF 205kPa
<b>UE072</b>	RELAY 24VDC 70A AUTOMOTIVE
<b>UE057</b>	VALVE SOLENOID 1/4" BSP 24VDC WATER
<b>AU681925</b>	THERMOSTAT 12-24VDC WITH SENSOR + POT

Please contact SIGMA for more information including details on an overhaul scope and interval. Maintenance periods and scope are dependent on application and site conditions, and are to be used as a guide.

## COMPANION ITEMS

PART NO.	DESCRIPTION
<b>TFC8BX2</b>	Electric Condenser
<b>EB9P4X</b>	Pressuriser
<b>H0017489</b>	Hydraulic Compressor
<b>H0017493</b>	Hydraulic Compressor
<b>AU110240</b>	Radiator Condenser
<b>AU1102401</b>	Radiator Condenser
<b>AU270306</b>	Engine Driven Compressor
<b>AU270307</b>	Engine Driven Compressor
<b>AU270314</b>	Engine Driven Compressor
<b>AU2701001</b>	Engine Driven Compressor
<b>AU531411</b>	Receiver Drier
<b>AU531422</b>	Receiver Drier

DRAGLINE & SHOVEL

DRILL

EXCAVATOR

DOZER

TRUCK

WHEEL LOADER

CONSTRUCTION

UNDERGROUND EQUIPMENT

INDUSTRIAL

SMELTERS

RAIL SPECIAL VEHICLES

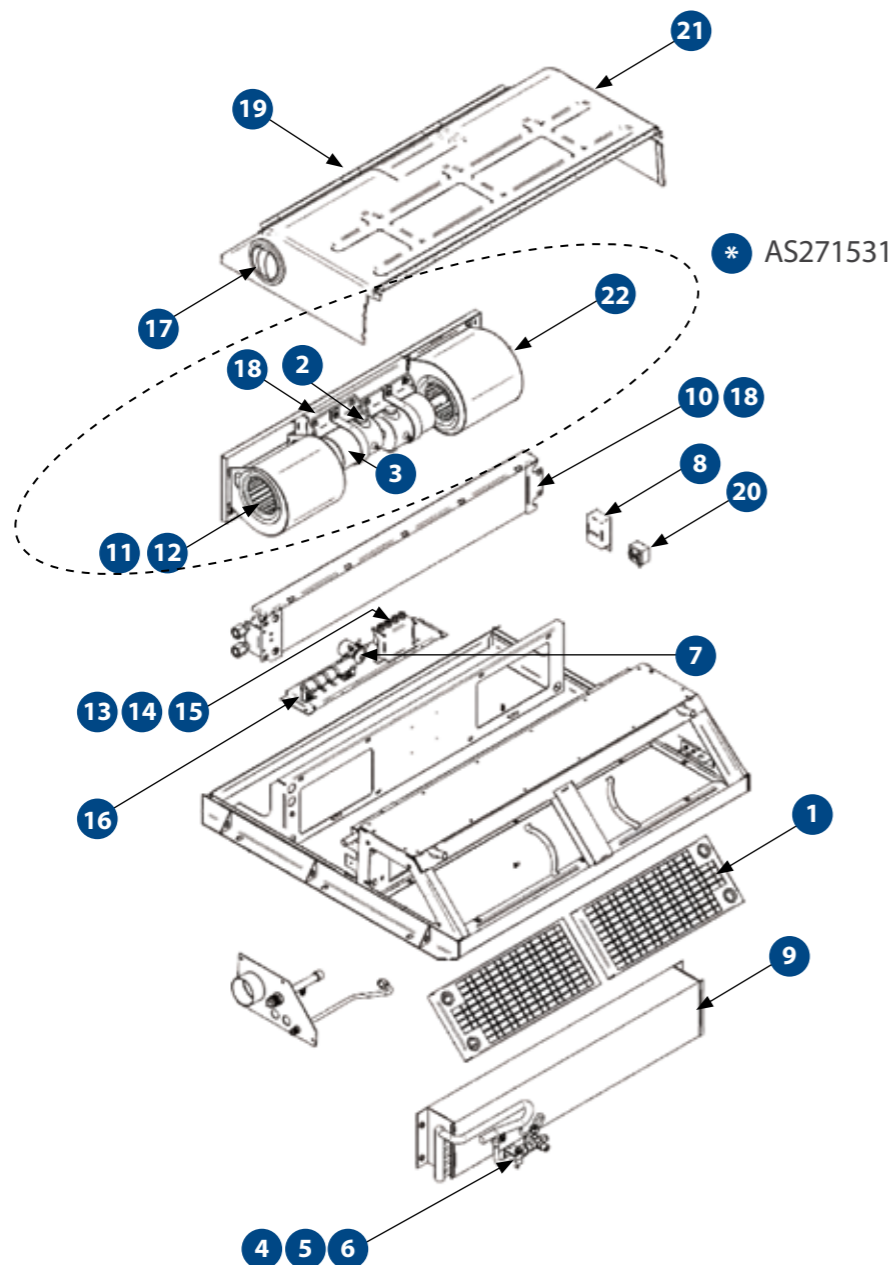


# TFC8

## CEILING EVAPORATOR

**TFC8BX1**  
Ceiling Evaporator 8kW 24V

**TFC8BX2**  
Ceiling Evaporator 8kW 24V with Electric Heating



## SPARE PARTS

PART NO.	DESCRIPTION	QTY
AU641601	CIRCUIT BREAKER 6.3-10A 3 POLE (TFC8BX2)	1
AU641612	CIRCUIT BREAKER 16A 3POLE (TFC8BX2)	1
UE699	CIRCUIT BREAKER 60A STUD TYP MANUAL (TFC8BX1)	1
AU651346	CONTACTOR 12A 24VDC 3 POLE 1NO 1NC (TFC8BX2)	2
AU663563	ROTARY SWITCH A B C D FAN	1
AU663569	ROTARY SWITCH MODE	1
AU681065	THERMOSTAT T3 80°C SPST AUTO (TFC8BX2)	1
AU691191	HEATER U SHAPE 2.0kW 240V 675MM SS FIN (TFC8BX2)	3
AU681926	POTENTIOMETER	1
UE057	VALVE SOLENOID 1/4" BSP 24VDC WATER	1
AU662410	SWITCH KEYED 20A	1
AU517502	VALVE ACCESS 1/4" 1/4" & 3/8" OD SOLDER	1
AU635302	TERM BLK SIE 3 POLE 2 5MMSQ (TFC8BX2)	3
AU636255	TERM BLK BRIDGE SIE 4WAY 2 5MM (TFC8BX2)	1
AU853505	LEAF SPRING 145MM X 25 MM	2
AU872135	SHAFT EXTENSION 1/2" FEMALE X 1/2" MALE	2
AU935432	FLAT NEOPRENE EXTRUSION	1
S5006029	MOTOR MOUNT CLAMP 97MM	2
UC020	HOSE CLEAR PVC 12 5MM ID	10
UC031	FASTENER ASSEMBLY 1/4 TURN - STUD & RECEPT	3
UC096	FITTING P3 5/8 STR BRB X 1/4 MBSPT (TFC8BX1)	2
UC504	DRAIN NOZZLE 13MM	4

SPARE PARTS LIST CONTINUED ON PREVIOUS PAGE

## SPECIFICATIONS

	METRIC	IMPERIAL
<b>Cooling Capacity</b>	8.0 kW	27296 BTU
<b>Heating Capacity</b>	10.0 kW / 6kW	34120 BTU / 20473 BTU
<b>Fan Speeds</b>	3	3
<b>Air Flow</b>	325 l/s	689 CFM
<b>Fresh Air</b>	30 l/s	64 CFM
<b>Power Supply</b>	24V	24V
<b>Current Draw</b>	30 A	30 A
<b>Refrigerant</b>	R134a	R134a
<b>Maximum Ambient Temperature</b>	54°C	129°F
<b>Weight (nominal)</b>	70.0 Kg	154.0 lbs
<b>Technical Manual Reference</b>	SM278-2715	SM278-2715
<b>Dimension (L X W X H)</b>	1100mm X 900mm X 221mm	43.3in X 35.4in X 8.7in

## MAINTENANCE

MONTHLY / 500 HOURS

- AS271535** RETURN AIR FILTER
- AS271535S** RETURN AIR FILTER - DISPOSABLE OPTION

6 MONTHS / 2,400 HOURS

- AU320622** BRUSH MOTOR 24VDC EACH HEAVY DUTY

ANNUAL / 4,800 HOURS

- H0039230** MOTOR UE026 WITH UPGRADED BRUSH

3 YEARS / 14,400 HOURS

- AU521509** TX VALVE 2T 3/8" IN 1/2" OUT 1/4" EQ R134a
- AU521508** TX ORIFICE 2T R22 #06
- AU523365** LOW PRESSURE SWITCH 1/4" FF 205kPa
- UE072** RELAY 24VDC 70A AUTOMOTIVE
- UE057** VALVE SOLENOID 1/4" BSP 24VDC WATER
- AU681925** THERMOSTAT 12-24VDC WITH SENSOR + POT

Please contact SIGMA for more information including details on an overhaul scope and interval.  
Maintenance periods and scope are dependent on application and site conditions, and are to be used as a guide.

## COMPANION ITEMS

PART NO.	DESCRIPTION
<b>TFC8BX2</b>	Electric Condenser
<b>EB9P4X</b>	Pressuriser
<b>H0017489</b>	Hydraulic Compressor
<b>H0017493</b>	Hydraulic Compressor
<b>AU110240</b>	Radiator Condenser
<b>AU1102401</b>	Radiator Condenser
<b>AU270306</b>	Engine Driven Compressor
<b>AU270307</b>	Engine Driven Compressor
<b>AU270314</b>	Engine Driven Compressor
<b>AU2701001</b>	Engine Driven Compressor
<b>AU531411</b>	Receiver Drier
<b>AU531422</b>	Receiver Drier