

Double-deck loading and unloading of HGVs

Cost-effective goods transport

Sideways travel position

Electric steering

Narrow design



## ESD 120/220

### Electric stand-on/sideways-seated stacker (2,000 kg)

The ESD 120/220 electric stand-on and sideways seated stackers are very versatile and powerful trucks. They are as well suited to double-deck HGV loading as they are to the cost-effective transport of loads across long distances.

The width of the ESD 120 stand-on truck is just 760 mm and thus significantly narrower than a Euro pallet. This allows for easy pallet positioning inside an HGV as well as rapid loading and unloading of HGVs.

When standing, the fold-up seat offers optimal side support, particularly with frequent changes of direction. For longer distances, the seat can be folded down to relieve strain on the legs. Frequent entry and exit is facilitated by the low entry height of only 245 mm.

The ESD 220 with a truck width of 820 mm offers the oper-

ator maximum comfort as a true sideways seated truck. It is therefore particularly suited to travelling over long distances. The adjustable foot-well height ensures an ergonomic working position for all operators.

All trucks have powerful 24-V-AC 3-phase AC drive motors for strong acceleration and high top speeds of up to 12 km/h. The robust construction allows for load capacities of up to 2000 kg.

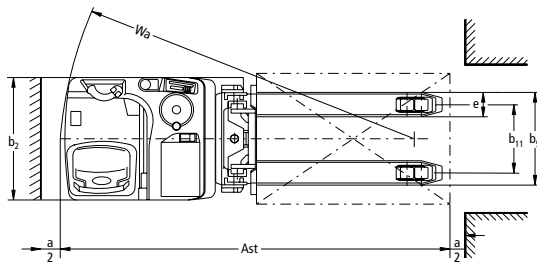
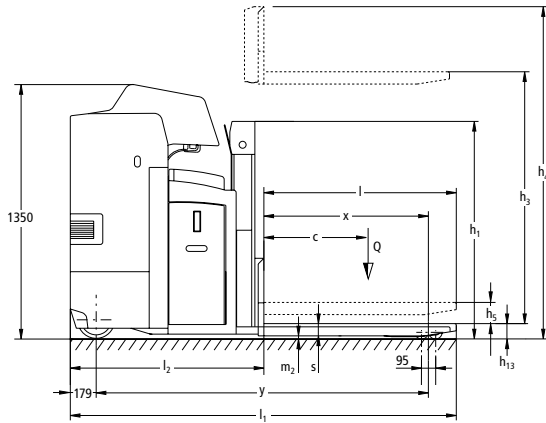
Other advantages:

- Especially robust frame.
- Display with steering position display and travel program selection.
- Electric steering for easy manoeuvring with just a few turns of the steering wheel.
- Excellent energy management.

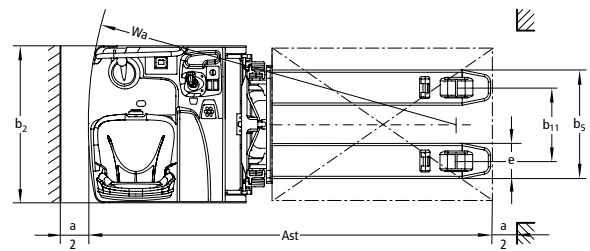
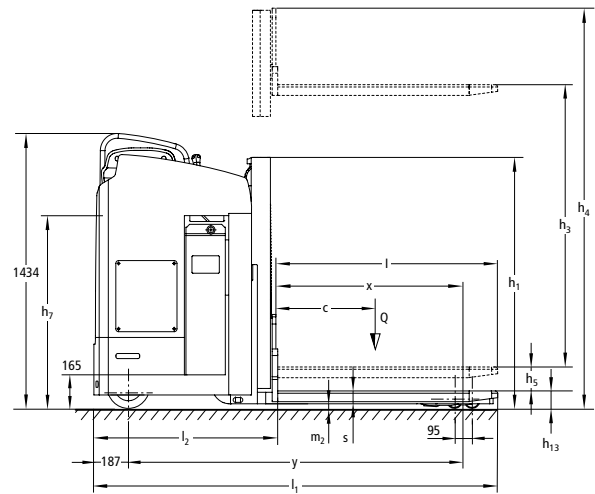


# ESD 120/220

ESD 120



ESD 220



# Technical data in line with VDI 2198

				Jungheinrich			
Identification	1.1	Manufacturer (abbreviation)		ESD 120			
	1.2	Model		ESD 220			
	1.3	Drive		Electric			
	1.4	Manual, pedestrian, stand-on, seated, order picker operation		stand-on	seat		
	1.5	Load capacity/rated load	Q	t	2	2 <sup>3)</sup>	
	1.5.1	Load capacity/load with mast lift	Q	t	1		
	1.5.2	Load capacity/load with support arm lift	Q	t	2		
	1.6	Load centre distance	c	mm	600		
	1.8	Load distance	x	mm	930	926 <sup>2)</sup>	
1.9	Wheelbase	y	mm	1,835 / 1,905	1,734 <sup>2)</sup>		
Weights	2.1.1	Net weight incl. battery (see row 6.5)		kg	1,258	1,350	
	2.2	Axle loading, laden front/rear		kg	1,220 / 2,038	1,340 / 2,010	
	2.3	Axle loading, unladen front/rear		kg	884 / 374	982 / 368	
Wheels / frame	3.1	Tyres		Polyurethane		Vulkollan	
	3.2	Tyre size, front		mm		Ø 230 x 77	
	3.3	Tyre size, rear		mm		Ø 85 x 75	Ø 85 x 85
	3.4	Additional wheels (dimensions)		mm		140x57	Ø 140 x 54
	3.5	Wheels, number front/rear (x = driven wheels)				1+1x/4	2-1x/4
	3.6	Tread width, front	b <sub>10</sub>	mm	485	544	
	3.7	Tread width, rear	b <sub>11</sub>	mm	380		
Basic dimensions	4.2	Mast height (lowered)		h <sub>1</sub>	mm	1,250	1,309
	4.3	Free lift		h <sub>2</sub>	mm	100	
	4.4	Lift		h <sub>3</sub>	mm	1,660	
	4.5	Extended mast height		h <sub>4</sub>	mm	2,200	2,150
	4.6	Initial lift		h <sub>5</sub>	mm	105	110
	4.8	Seat height/standing height		h <sub>7</sub>	mm	245	950
	4.15	Height, lowered		h <sub>13</sub>	mm	90	
	4.19	Overall length		l <sub>1</sub>	mm	2,260	2,185
	4.20	Length to face of forks		l <sub>2</sub>	mm	1,070	995
	4.21	Overall width		b <sub>1</sub> /b <sub>2</sub>	mm	760	820
	4.22	Fork dimensions		s/e/l	mm	65 / 190 / 1,190	65 / 185 / 1,190
	4.25	Width across forks		b <sub>5</sub>	mm	570	
	4.32	Ground clearance, centre of wheelbase		m <sub>2</sub>	mm	20	25
4.34	Aisle width for pallets 800 x 1200 lengthways		A <sub>st</sub>	mm	2,485	2,399	
4.35	Turning radius		W <sub>a</sub>	mm	2,015	1,925 <sup>2)</sup>	
Performance data	5.1	Travel speed, laden/unladen		km/h	10 / 12	9.1 / 9.1	
	5.2	Lift speed, laden/unladen		m/s	0.14 / 0.22	0.2 / 0.39	
	5.3	Lowering speed, laden/unladen		m/s	0.23 / 0.17	0.47 / 0.47	
	5.8	Max. gradeability, laden/unladen		%	6 / 12	8 / 14	
	5.10	Service brake		regenerative			
Electrics	6.1	Drive motor, output S2 60 min.		kW	2.8		
	6.2	Lift motor, output at S3 15%		kW	2.2	3.0	
	6.3	Battery as per DIN 43531/35/36 A, B, C, no		B		no	
	6.4	Battery voltage/nominal capacity K5		V/Ah	24 / 375	24 / 465	
	6.5	Battery weight		kg	297	380	
	6.6	Energy consumption as per EN 16796		kWh/h	0.66	0	
		CO- Equivalent as per EN 16796		kg/h	0.4		
Misc.	8.1	Type of drive control		AC speedCONTROL			

<sup>1)</sup> Diagonal as per VDI: + 211 mm

<sup>2)</sup> Load section lowered: + 78 mm

<sup>3)</sup> Mast lift capacity: max. 1 t

# Benefit from the advantages



Ergonomic arrangement of operator position on the ESD 120



Activated initial lift



Comfortable seating position with height-adjustable floor plate on the ESE 220/320



Grab handle for safe access and for the fitting of various options

## Truck equipment

### ESD 120:

- Fold-up seat acts as a backrest when the operator is standing.
- Footrest for better support while sitting and to relieve the legs.
- Cushioned stand-on platform (optional) for a significant reduction in impacts on the ramp when loading and unloading HGVs.
- Lift function button can be operated without changing grip.
- Selection between steering right or left.

### ESD 220:

- Drive and lift control via multifunction lever.
- Comfortable seat with adjustment for body weight.
- Height-adjustable floor plate.
- Padded armrest.
- Padded knee area.
- Low entry height.
- Entry handle.

## Ergonomics

- Arrangement of the operator position, sideways on to the direction of travel, guarantees optimum visibility and prevents neck complaints due to frequent changes in direction.
- Easy-to-operate electric steering and comfortable controls.

## Safety

- Closed operator station: Due to the central operator position and the closed truck contours, the operator is optimally protected in every driving situation.
- Safety switch in the foot-well ensures maximum safety.
- The stable drive handle provides a secure grip when standing.

## Efficiency

- Optimum energy supply in the ESD 120 with battery power between 375 Ah and 500 Ah, in the ESD 220 with 375 Ah and 465 Ah.
- Fast replacement of the batteries with lateral battery exchange.

## Additional optional equipment

- Masts up to 2.05 m.
- Load guard.
- Cold store version.

## Lithium-ion technology

- High degree of availability thanks to extremely short charging times.
- No battery exchange required.
- Cost savings due to longer service life and low maintenance compared with lead-acid batteries.
- No charging rooms and ventilation required as there is no build up of gas.
- Longer service life with 5-year Jungheinrich guarantee.

## Jungheinrich UK Ltd.

Head Office:  
Sherbourne House  
Sherbourne Drive  
Tilbrook  
Milton Keynes MK7 8HX  
Telephone 01908 363100  
Fax 01908 363180

info@jungheinrich.co.uk  
www.jungheinrich.co.uk

The German production facilities in Norderstedt, Moosburg and Landsberg are certified. **ISO 9001**  
**ISO 14001**

Jungheinrich fork lift trucks meet European safety requirements.



**JUNGHEINRICH**