



Model: PSM-GM2DPBR

## Features

- 18mm threaded cylindrical mounting, easy to install
- Short case for small installation space;
- Big knob design for easy adjustment; Suitable for inspection of smooth transparent bottles and transparent films
- IP67 protection, suitable for harsh environments;
- With 360° visible bright LED status indicator

## Part Number

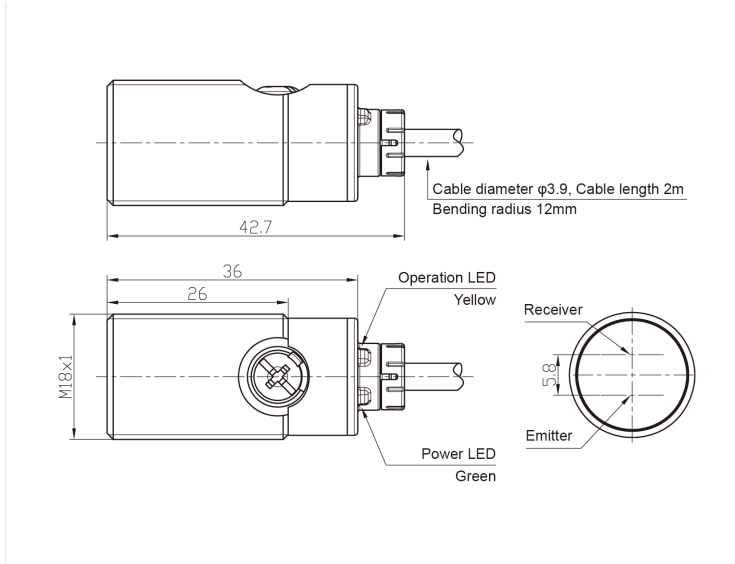
NPN NO/NC	PSM-GM2DNBR	PNP NO/NC	PSM-GM2DPBR
-----------	-------------	-----------	-------------

## Technical Specifications

Detection type	Transparent object detection	Distance adjustment	Single-turn potentiometer
Rated distance	2m*	Indicator	Green LED: power, stable Yellow LED: output, short circuit or overload
Light source	Red light (640nm)	Anti-ambient light	Anti-sunlight interference $\leq 10,000$ lux; Incandescent light interference $\leq 3,000$ lux
Spot size	45*45mm@100cm	Operating temperature	-25...55 °C
Standard target	> $\phi 35$ mm object with more than 15% transmittance**	Storage temperature	-35...70 °C
Output	NPN NO/NC or PNP NO/NC	Protection degree	IP67
Response time	$\leq 1$ ms	Certification	CE
Supply voltage	10...30 VDC	Material	Housing: Nickel copper alloy; Filter: PMMA
Consumption current	$\leq 20$ mA	Connection	2m PVC cable
Load current	$\leq 200$ mA		
Voltage drop	$\leq 1$ V		
Annex	M18 nut (2PCS), instruction manual, ReflectorTD-09		
Circuit protection	Short-circuit, overload, reverse polarity protection		
NO/NC adjustment	White wire is connected to the positive pole, NO mode; White wire is connected to the negative pole, NC mode		

- \*This data is the result of the TD-09 test of the reflector of the Lanbao PSM polarized sensor.
- Smaller objects can be detected by adjustment.
- The green LED becomes weaker, which means that the signal is weaker and the sensor is unstable; The yellow LED flashes, which means that the sensor is short ed or overloaded;

## Dimensions



## Circuit Diagram

