

CR6D

600mm Four Burner Gas Range Static Oven



CR6D

- 600mm wide
- 4 open burners
- 22MJ open burner rating
- Flame failure standard on open burners
- Optional pilot and flame failure on open burners
- Cast iron burners and vitreous enamel potstands
- High crown static oven
- 1/1 GN pan capacity
- Manual pilot ignition
- Side hinged door
- Vitreous enameled oven liner
- Adjustable front feet and rear rollers
- Stainless steel finish
- Fully modular

Also Available



CR6B



CR6C

OVERALL CONSTRUCTION

Cooktop

- Cast iron open burner heads with vitreous enamelled cast iron caps
- Vitreous enamelled potstands
- Vitreous enamelled control panel
- Stainless steel front, sides and splashback
- Stainless steel spill tray

Oven

- Vitreous enamelled oven liner
- GN 1/1 capacity with 4 position racking
- Supplied with one chrome plated oven rack
- Vitreous enamelled oven spill tray
- Stainless steel door and sides
- 63mm dia. stainless steel adjustable legs to front and two rollers at rear

CONTROLS

Cooktop

- Large easy use control knobs
- Variable high to low controls to open burners
- Flame failure standard on open burners
- Optional pilot and flame failure on open burners

Oven

- 100-310°C thermostatic oven control
- Piezo ignition to oven pilot burner with flame failure

CLEANING AND SERVICING

- Easy clean stainless steel exterior
- Vitreous enamelled potstands and burner caps
- Lift off open burner caps and removable burners
- Removable spill trays
- Access to all parts from front of unit

Matching Products



CW2H



CSP6



CN4



CT9



CW3H



CW1H



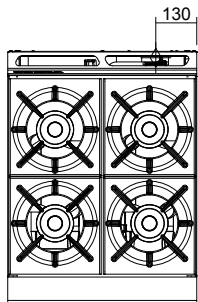
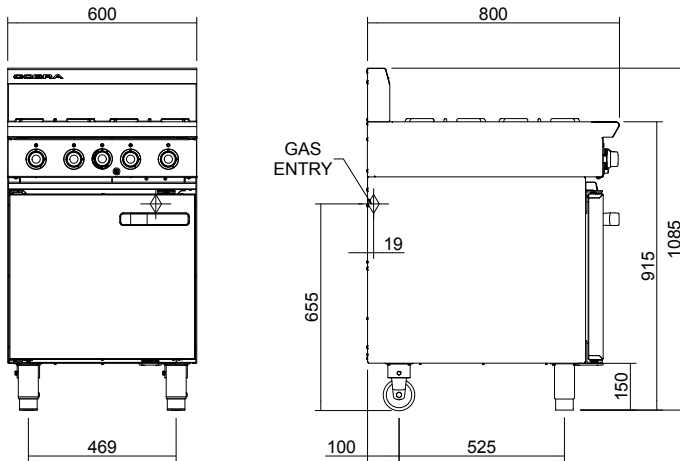
CP4



CS9 / C900-S

CR6D

600mm Four Burner Gas Range Static Oven



CR6D

SPECIFICATIONS

Burners
Open Burners;
22MJ/hr, 6.1kW each

Oven; 24MJ/hr, 6.7kW

Gas power (gross)
CR6D 112MJ/hr, 31.1kW

Oven dimensions
Width 460mm
Depth 615mm
Height 365mm

Rack size
450mm x 590mm
Rack positions 4

Gas connection
R 3/4 (BSP) male
130mm from RH side, 20mm from rear, and 655mm from floor

Dimensions
Width 600mm
Depth 800mm
Height 915mm
Incl. splashback 1085mm

Nett weight
99kg

Packing data
0.85m³, 130kg
Width 710mm
Depth 955mm
Height 1250mm

Gas types
Available in Natural gas and LP gas,
please specify when ordering
Other gas types on request



Cert. No. AGA 7225G

moffat.com.au
moffat.co.nz

Australia
moffat.com.au

Moffat Pty Limited

Victoria/Tasmania
740 Springvale Road
Mulgrave, Victoria 3170
Telephone +613-9518 3888
Facsimile +613-9518 3833
vsales@moffat.com.au

New South Wales
Telephone +612-8833 4111
nswsales@moffat.com.au

South Australia
Telephone +613-9518 3888
vsales@moffat.com.au

Queensland
Telephone +617-3630 8600
qldsales@moffat.com.au

Western Australia
Telephone +618-9413 2400
wasales@moffat.com.au

New Zealand
moffat.co.nz

Moffat Limited

Rolleston
45 Illinois Drive
Izone Business Hub
Rolleston 7675
Telephone +64 3-983 6600
Facsimile +64 3-983 6660
sales@moffat.co.nz

Auckland
Telephone +64 9-574 3150
sales@moffat.co.nz



ISO9001
Quality
Management
Standard

Designed and manufactured by



ISO9001
All Cobra products are designed and manufactured by Moffat using the internationally recognised ISO9001 quality management system, covering design, manufacture and final inspection, ensuring consistent high quality at all times.

In line with policy to continually develop and improve its products, Moffat Limited reserves the right to change specifications and design without notice.

© Copyright Moffat Ltd
AN.C.01.19 / 1598