



ABN: 85164277052  
HAPP AUSTRALIA PTY LTD



WWW.HAPP.COM.AU

# 1.8 Tonne

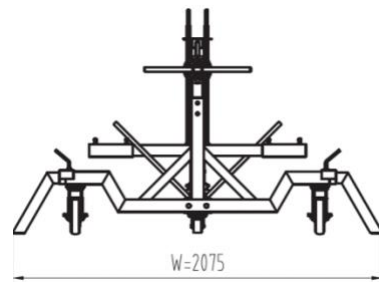
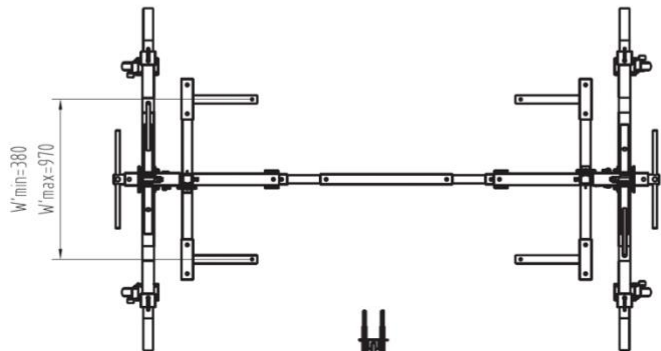
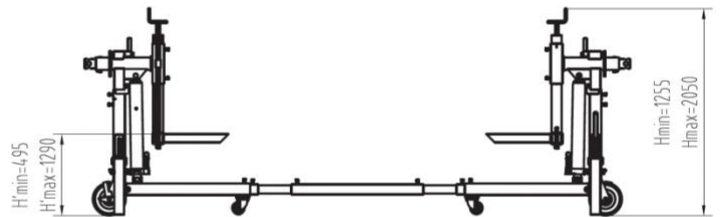
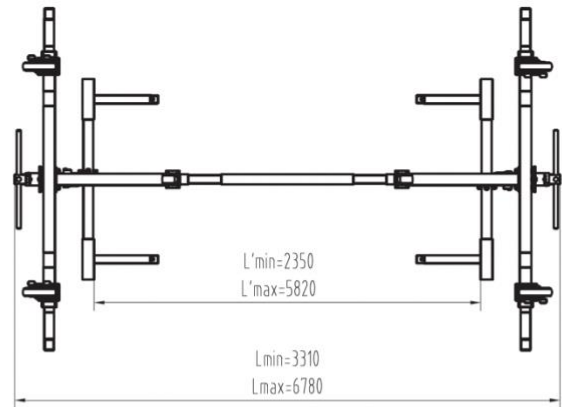
# Specification HAPP ROT01



## Car Rotisserie

### Features

- Adjustable arms for car connection
- Full 360 degree rotation
- Dual cylinder lifting
- Adjustable height
- 12 position rotational locks
- Optional gear car rotation drive available
- Safety locking pins for long term builds, removes load of cylinders
- Large wheels for easy moving
- Removable legs for stable operation, movement
- Modular design can be extended, customized
- Large box section tubes for stable lifting



Capacity	Lifting Height	Conn Len	Conn Width	Frame Len	Frame Width	Max Height	Package Size	Gross Weight	Net Weight
1.8T	495-1290mm	2350-5820mm	380-970mm	3310-6780mm	2075mm	3904mm	1540x750x370mm	244Kg	204Kg