



PROVEN PERFORMER

Compact Commercial Laundry

LWS52 (top loading washer),

LDE3TR (electric dryer), LDG3TR (gas dryer)

Top loading washer features

- Extra large capacity 8kg stainless steel tub keeps clothes looking their best
- Advanced suspension system reduces the possibility of an unbalanced load
- Commercial quality metal transmission offers highest reliability and durability
- Multi-cycle controls provide washing options to fit your laundry needs
- Large lid opening for easy loading
- Optional extra length inlet hoses

Single dryer features

- Rated as 9kg load capacity with durable galvanized steel cylinder with an extra-large 198 litres of volume
- Efficient dryer heating with 21 MJ (gas models) and up to 4,000 Watts (electric models)
- Large, easy-to-clean lint compartment
- Reversible door
- 1913.8 sq. cm door opening is the largest in the industry, providing easy loading and unloading
- Optional venting positions (refer Installation Guide)
- Optional drying rack, Part No. D512082,



EASY OPERATION



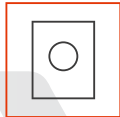
STAINLESS STEEL WASHER DRUM



LARGE DOOR OPENING



LOW ENERGY CONSUMPTION



ROBUST DESIGN

Controls

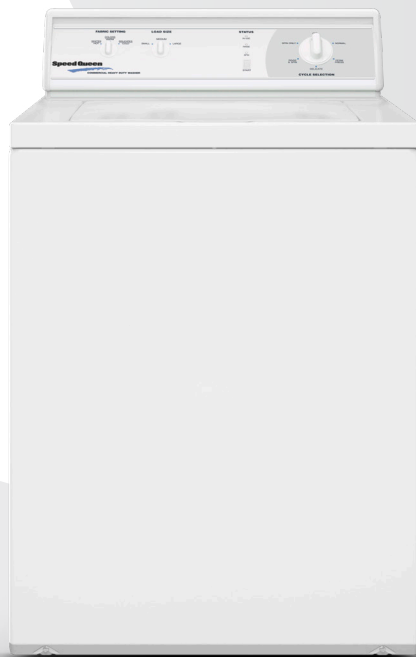
Traditional Top Load-Washer Dial control

The Dial Cycle Controls features a straightforward start switch design and offers users simple program - water level - temperature and load selections .

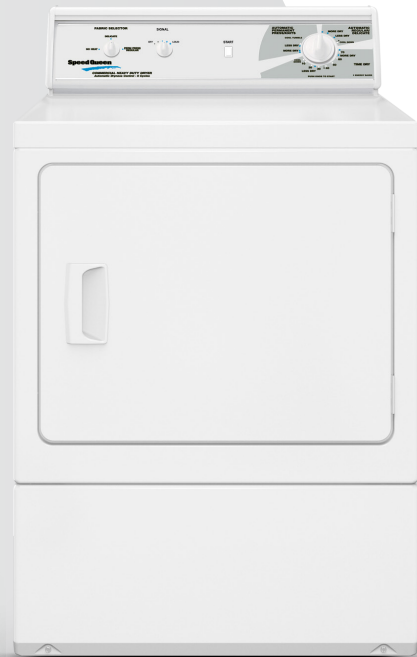
Single Dryer Dial control

The simple push button start and Mech dial control features our straightforward design Offers users simple drying selections (Auto Dryness and timed).

Audible Buzzer, front easy clean filter.



LWS52

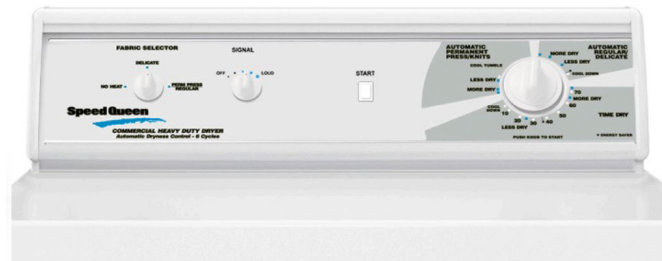


LDE3TR, LDG3TR

	LWS52	LDE3TR (Electric) LDG3TR (Gas)
Type	Top Loading Washer	Single Dryer
Control	Dial mech & Push Start	Dial mech & Push Start
Control location	Rear	Rear
Drum		
Capacity kg	8 kg 304 Grade Stainless	9 kg Galvanised
Cylinder volume litres	92.3 Lt	198 Lt
Width mm	650	683
Depth mm	711	711
Height mm	1092	1092
Drum speed		
Spin speed G-Force	150	n/a
Spin speed rpm	710	n/a
Motor		
Motor size kW	0.37	0.25
Cabinet		
Cylinder finish	White	White
Colours	White	White
Door type (solid/window)	n/a	Solid
Heating		
Heat sources	n/a	Electric or Gas, LPG optional
Heating element (Electric W)	n/a	4000
Connection		
Gas inlet connection mm	n/a	9.5
Gas consumption MJ/Hr	n/a	21.09 MJ
Exhaust outlet dia. mm	n/a	102
Exhaust airflow litres/sec	n/a	85
Water temperatures	3	n/a
Operation		
Cycles	Regular, Delicate, Permanent Press, Spin	Regular, Perm Press, Delicate, Time Dry, No Heat
Water consumption per cycle litres	92.2	n/a
Water pressure kPa	140/830 kPa	n/a
Water supply hoses	2 x 1.2mt Standard Inlet Hose	n/a
Drain hose	1 x 1.2mt Factory Fitted - with hose former	n/a
Power		
Electrical requirements (voltage/Hz/Ph) @ amp	240 / 50 /1 @ 6 amp	240/50/1, Electric 20 amp, Gas 4 amp
Power supply cord	10amp standard 1.2mt	(Gas- 10amp @1.2mt)- (Elec - 20amp @ 1.2mt)
Transport data		
Net weight kg	82	Electric/Gas 59/61
Shipping weight kg	88	Electric/Gas 64/66
Dimensions H×W×D mm	1092×650×711	1092×683×711
Packing dimensions H×W×D mm	1124×699×762	1156×737×832
Agency approvals		
Available agency approvals	Electric SAA	Electric SAA, Gas AGA #4946

All measurements are in mm. *With levelling legs turned into base.

It is recommended that you request a full Installation & Use & Care Guide for reference and to maximise your equipments performance and operational life. Failure to correctly install and connect these units may effectively void any manufacturer offered warranties.



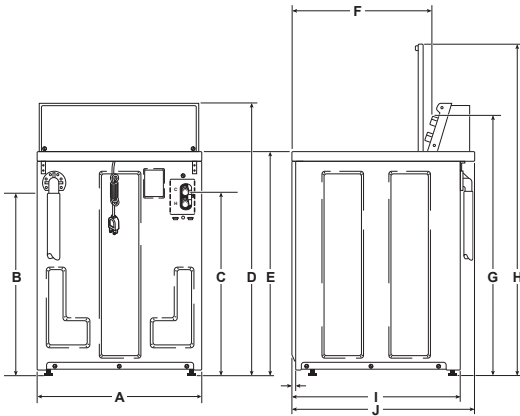
The content of this brochure (including, without limitation, any analysis forming part of it) is general information, for personal use only and should not be relied upon for investment purposes. This brochure provides information based on subjective assumptions and does not provide actual or expected returns, which may in practice be lower than those stated in the brochure. You should obtain independent financial advice prior to making any decision to invest in, or with, Alliance Laundry Systems LLC. To the extent permitted by law, we do not accept any liability (whether in contract, tort, negligence or otherwise and howsoever arising), nor owe any duty of care to you, for any consequences of your acting (or refraining from acting) in reliance on the contents of this brochure. If you enter into a contract with us, we will require that you irrevocably waive your rights to bring a claim against us for acting in reliance on the content of this brochure. E&OE



Dimensions

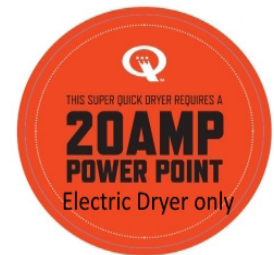
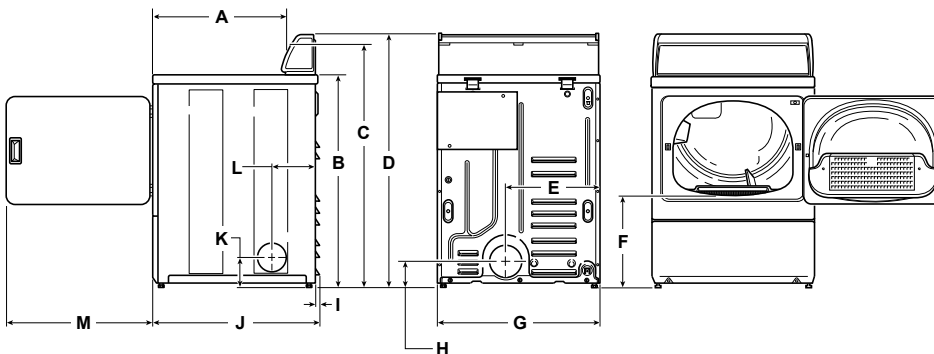
Top Loading Washer

	A	B	C	D	E	F	G	H	I	J
LWS52	651	745	730	1092	914	547	1025	1295	660	711



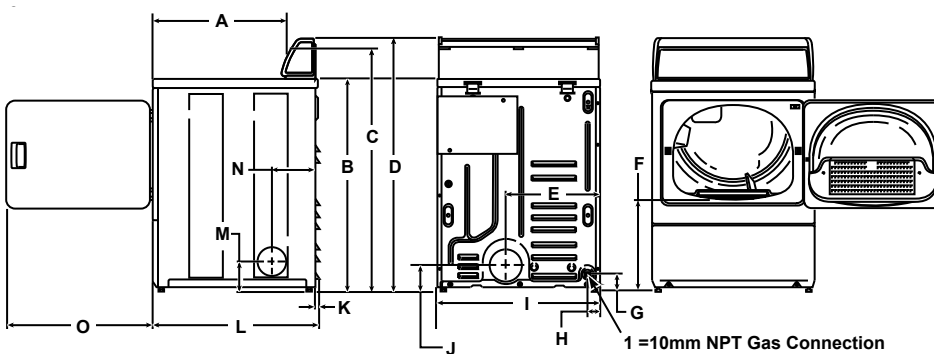
Electric Dryer

	A	B	C	D	E	F	G	H	I	J	K	L	M
LDE3TR	589	914*	1036*	1092*	391	392*	683	102	10	711	114*	203	597



Gas Dryer

	A	B	C	D	E	F	G	H	I	J	K	L	M	N	O
LDG3TR	589	914*	1036*	1092*	391	392*	70*	60	683	102*	10	711	114*	203	597



All measurements are in mm. *With levelling legs turned into base.

NOTE: Exhaust openings are 102 mm metal ducting.



