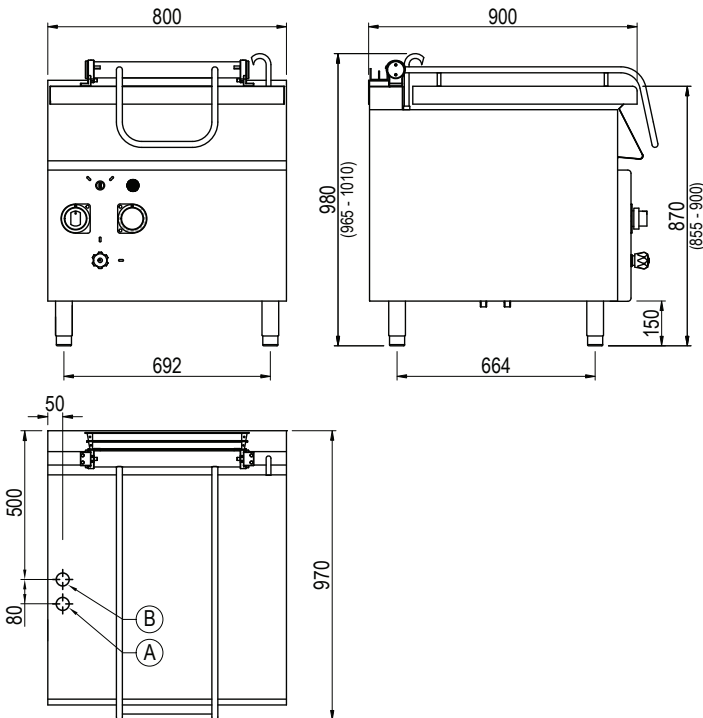




**Product Information:**

- Class leading, European style, professional quality and reliability since 1963
- 900 series, high performance electric bratt pan with 80 litre capacity and electric tilting pan (16.2kW)
- Duplex 2304 10mm thick stainless steel base for superior heat transfer, strength and corrosion resistance
- Heating elements with Hi-limit temperature protection
- Temperature regulation via thermostat (50°C - 300°C)
- Heating shut off via microswitch when the pan is tilted
- Indicator lights to monitor the correct operation of the appliance
- Water fill via integrated valve and spout
- Double skinned counterbalanced lid with rear condensation channel
- Robust 304 grade stainless steel construction with rounded corners for improved cleaning
- Height adjustable stainless steel feet for a 900mm working height
- 24-month warranty

**General Drawing:**



**Specifications:**

<b>Model</b>	BE94XAT
<b>W x D x H (mm)</b>	800 x 970 x 980
<b>Weight</b>	170kg
<b>Capacity</b>	80L
<b>Packed Dimensions (mm)</b>	850 x 1025 x 1120
<b>Packed Weight (mm)</b>	182kg
<b>Electrical Connection</b>	3Ø + N + E 415VAC / 50Hz / 16.2kW

**Legend:**

- A Electrical Connection
- B Water Connection 1/2" BSP

Due to continuous product research and development, the information contained herein is subject to change without notice.

Revision: 01 - 14/01/2022 - A

