

EBA2580

5-Megapixel True Day/Night
Outdoor IR Ball Camera



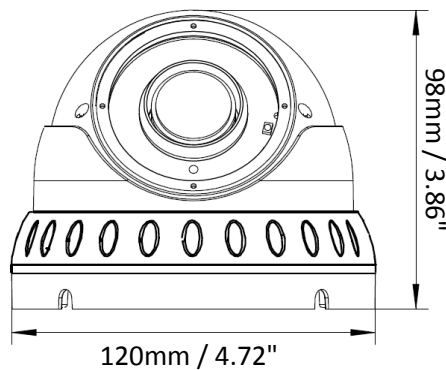
eZ.HD



Features

- 5MP Sony STARVIS CMOS sensor, delivering amazing high sensitivity
- Varifocal 2.8-12mm with ICR to capture the desired field of view
- Extended IR range of up to 30m /98ft. with 24 LEDs (depends on scene IR reflectivity)
- T-WDR to improve the visibility under high contrast scene
- The flexible angle viewing with its 3-Axis rotation design allows wall or ceiling mounting
- IP66-rated with metal housing
- Supports UTC function: Control camera OSD settings directly from DVR end

Dimensions



Optional Accessories

BA-E320



Color: White
 Size (Φ x H): 138 x 54mm / 5.43" x 2.13"
 Weight: 700g / 1.5lb
 Material: Metal

BA-EB45



Color: White
 Size (W x D x H): 245 x 160 x 163mm / 9.65"x 6.3"x 6.42"
 Weight: 2.1kg / 4.63lb
 Material: Metal

Specifications

Model No.	EBA2580		
Pickup Device	5MP Sony STARVIS CMOS sensor	Video Format	AHD / TVI / CVI / CVBS
System Format	NTSC / PAL (switchable via OSD)	S/N Ratio	≥50dB
Effective Pixels	2592 (H) x 1944 (V)	OSD Languages	ENG / CHN / CHN(S) / JPN / KOR / POR / ESP
Scanning System	Progressive Scan	DNR	Off / Middle / High / Low
Sensitivity	0 Lux with IR On	T-WDR	96dB
Electronic Shutter	1/30s~1/30,000s	Sens-up	Off / x2 / x4 / x8 / x16 / x32
Gamma Correction	0.45 / 0.55 / 0.65 / 0.75	Mirror / Flip	Off / On
Lens Type	Varifocal 2.8-12mm with ICR, F1.4	Motion Detection	Supported
FOV (D x H x V)	138~40° x 103~33° x 74~25°	Privacy Mask	Supported
BLC	Off / BLC / HLC / WDR	Environmental	IP66 Weather Resistant
AGC	Auto	Power Source	12VDC, 800mA
White Balance	Supported	Max. Power Consumption	9.6W
Sync. Mode	Internal	Operating	-10°C ~ 50°C / 14°F ~ 122°F
Day / Night	Supported	Humidity	Less than 95%
UTC Function	Supported	Dimensions (Φ x H)	120 x 98mm / 4.72" x 3.86"
IR LEDS	24 Units	Weight	800g / 1.76lb
IR Distance	Up to 30m / 98ft. (Depends on scene IR reflectivity)	Certificates	CE, FCC, RoHS

Find Out More At:

EverFocus Taiwan HQ:
 TEL: +886 2 2662 2338
www.everfocus.com.tw
marketing@everfocus.com.tw

EverFocus USA - California:
 TEL: +1 626 844 8888
www.everfocus.com
sales@everfocus.com

International Branch Offices:
 China, Japan

