

User Manual



DC01

GTIN9346376063944



Superlite Electric Foldable Wheelchair



CE FDA

INTRODUCTION

Dear Users,

Thank you for choosing the Superlite Electric Foldable Wheelchair for your portable wheelchair transportation needs. It is important to read through this manual before operating your Superlite Electric Foldable Wheelchair to become familiar with its features as well as its limitations and safety information.

You will find the operation and care of your Superlite Electric Foldable Wheelchair simple and easy.

Disclaimer:JBH and Peak Care Equipment cannot be held responsible for personal injury or property damage resulting from the unsafe or improper operation or maintenance of Superlite Electric Foldable Wheelchair.

As part of our ongoing product improvement initiative, we reserve the right to change specifications and design without notice. As a result, there may be minor differences between your Superlite Electric Foldable Wheelchair and accessories and the photos, illustration and instruction in this manual.

JBH MEDICAL

NANJING JIN BAI HE MEDICAL APPARATUS COMPANY LIMITED

No. 12, Wuge Rd, Jiangning, Nanjing, Jiangsu, 211113, China

ANHUI JBH MEDICAL APPARATUS COMPANY LIMITED

No. 116, Qicang Road, Mingguang, Anhui, 239499, China

IMPORTED EXCLUSIVELY BY PEAK CARE EQUIPMENT PTY LTD

Level 1, 149 Princes Highway, Unanderra 2525 Phone: (02) 4272 2688

www.peak-care.com.au

Recommendation

Please pay attention to “Warning” shown in the content of this user’s manual to protect you from any injury. Inability to follow “Notification” in this manual may result in damage the wheelchair.

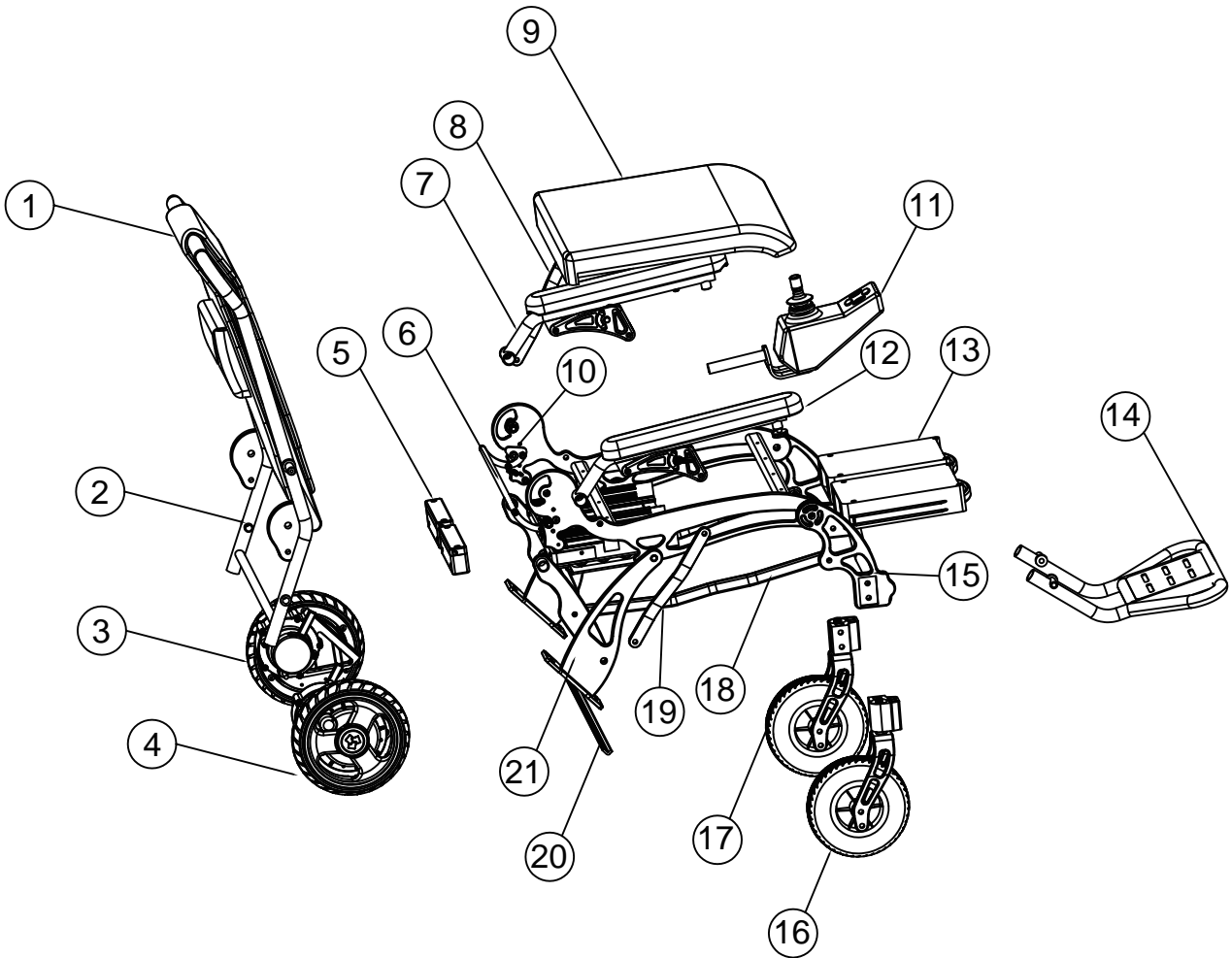
CONTENT

Specification.....	1
Major Parts	2
Specification Diagram	3
Safe Operation	4-5
Precautions.....	5-6
Install Setup.....	7-9
Folding and unfolding.....	10
Controller.....	11
Basic Operation	12
Charging Batteries.....	12-14
Free Wheel Mode	15
Transporting	15-16
Trouble Shooting.....	17
Diagnostics	18
Warranty.....	19
Warranty Card.....	20

SPECIFICATIONS

Model	DC01 GTIN:9346376063944
Frame Material	Carbon Fiber
Unfold Size	955 * 670 * 920mm
Fold Size	670* 335* 760 mm
Loading Capacity	120KGS
Motor	180W * 2 pcs Brushless Motor
Battery	24V 6AH * 2 pcs Lithium Battery
Max Speed	6KM/H
Driving Range	25KM
Front Wheels	7" *1.75" PU Solid Wheels
Rear Wheels	8" *1.95" PU Solid Wheels
Climbing Slope	≤ 6°
Charging Time	6 hours
Width of Armrest	450MM
Seat Width	420MM
Seat Depth	430MM
Seat Height	500MM
Turning Radius	850mm
Drive Model	Rear Drive
Braking System	Electromagnetic Brake
Net Weight without Battery	17KGS
Net Weight with two Batteries	20KGS
Gross Weight (with export packing)	27KGS

MAJOR PARTS



- | | | |
|---------------------------------------|----------------------------|-------------------------------|
| 1 Backrest | 8 Left Armrest Support | 15 Front Fork Assembly |
| 2 Backrest Assembly | 9 Seat Cushion | 16 Right Front Wheel Assembly |
| 3 Left Motor and Rear Wheel Assembly | 10 Locking Hook | 17 Left Front Wheel Assembly |
| 4 Right Motor and Rear Wheel Assembly | 11 Top Controller Assembly | 18 Right Coupling Rod |
| 5 Battery Rear Holding Assembly | 12 Right Armrest Assmebly | 19 Right Armrest Support |
| 6 Push Lever | 13 Battery | 20 Enforcement Rod |
| 7 Left Armrest Assembly | 14 Foot Pedal | 21 Motor Fixing Support |

SPECIFICATION DIAGRAM



SAFE OPERATION

This is the most important section of manual, how to safely operate the Superlite Electric Foldable Wheelchair. Please review this section thoroughly.

◎ **General safety**

- A. Adjust the Superlite Electric Foldable Wheelchair to your personal comfort level as much as possible.
- B. Take your time to learn how the Superlite Electric Foldable Wheelchair works in a private setting before you begin operating around others.
- C. Practice bending, reaching and transferring in and out of Superlite Electric Foldable Wheelchair.
- D. Always be aware of your surroundings.
- E. If you are not sure the Superlite Electric Foldable Wheelchair can surpass an obstacle, try to find an alternative other way around.
- F. It is essential to ensure that the electrical components such as the control panel, battery and other electricals remain free from exposure to moisture. If these items do become wet, please dry thoroughly before use.
- G. The Superlite Electric Foldable Wheelchair seat is designed for comfort, not specifically for pressure relief. If you suffer from pressure sores, or if you are at risk that they will occur, please consult your doctor or therapist.

◎ **Before using your Superlite Electric Foldable Wheelchair**

- (1) Make sure the Superlite Electric Foldable Wheelchair is operating smoothly.
- (2) Check for any unusual noises, vibration, or a change in the ease of use. If you detect a problem, get in touch with the service department the company that supplied it to you.
- (3) Failing to maintain your Superlite Electric Foldable Wheelchair could increase the risk of mishap and injury.

◎ **Getting into the Superlite Electric Foldable Wheelchair**

- (1) Before sitting, make sure the Superlite Electric Foldable Wheelchair is switched off. This will ensure the Superlite Electric Foldable Wheelchair will not accidentally move if the joystick is knocked.
- (2) Make sure the footrest is down.
- (3) Once seated, make sure your feet are safely on the footrest.

◎ **Driving the Superlite Electric Foldable Wheelchair**

- (1) Be alert to the danger of motor vehicles on roads or in parking spaces.
- (2) At night or when it is hard to see, use reflective clothing and equipment.
- (3) The Superlite Electric Foldable Wheelchair is designed for use on firm, even surfaces such as concrete and indoor surfaces.
- (4) Do not operate the Superlite Electric Foldable Wheelchair on sand, loose soil or over rough terrain, which could damage wheels, bearings, axles and motors, or loosen fasteners.

SAFE OPERATION

◎ Getting out of the Superlite Electric Foldable Wheelchair

- (1) Make sure to bring the Superlite Electric Foldable Wheelchair to a complete stop.
- (2) Turn off the Superlite Electric Foldable Wheelchair to avoid accidentally knocking the joystick and moving the wheelchair.
- (3) Raise the armrest so that you can conveniently exit the wheelchair.
- (4) Carefully and safely get out of the seat.

◎ Weight limited Do not exceed or the warranty will be void

- (1) Never exceed a total combined weight of 120kg for the rider plus items carried.
- (2) Exceeding the weight limited is likely to damage the seat, frame or fasteners and may cause result in damage or injury.

◎ When transporting the Superlite Electric Foldable Wheelchair

- (1) Never sit in the Superlite Electric Foldable Wheelchair while in a moving vehicle. An accident or sudden stop may cause you to be thrown from the wheelchair and result in serious injury or death.
- (2) Avoid transporting the Superlite Electric Foldable Wheelchair in the front seat of a vehicle as it may move and interfere with the driver.
- (3) Always secure the Superlite Electric Foldable Wheelchair so that it cannot roll or shift when being transported in a vehicle.
- (4) The Superlite Electric Foldable Wheelchair is NOT approved to be used with any tie down system which is generally used to transport a seated user in a powered wheelchair in a motor vehicle.

PRECAUTIONS

CAUTION: OPERATE SAFELY

Do not operate the Superlite Electric Foldable Wheelchair in water of any kind.

Do not operate the Superlite Electric Foldable Wheelchair up or down staircase or escalators.

Do not operate the Superlite Electric Foldable Wheelchair while on a moving vehicle such as a bus.

Avoid leaning out excessively from the chair whilst seated as such movements can cause a balance issue and may result in injury.

Do not exceed the weight limited total of 120 kgs for rider plus any items.

Do turn off the Superlite Electric Foldable Wheelchair when exiting the chair for safety.

Do practice driving the Superlite Electric Foldable Wheelchair in a private, enclosed area.

Please do not drive the wheelchair on public road.

PRECAUTIONS

It is important to perform regular maintenance of your Superlite Electric Foldable Wheelchair for longevity and warranty eligibility. Even a little cleaning now and again will go a long way to keep your device looking and functioning like new.

Certified repair shops with trained professionals who specialize in electric wheelchairs and scooters will be qualified to perform the service and maintenance on your Superlite Power Wheelchair.

We recommend you inspect your Superlite Electric Foldable Wheelchair two or three times per year in the following areas:

- (1) Frame: Tighten loose screws as necessary.
- (2) Wheels: Make sure they rotate easily. Significant resistance may require new bearings.
- (3) Armrest: Look for excessive wear or if they are loose.

Replacement parts and more major maintenance issues should be done by a professional.

◎ Batteries

- (1) Batteries are special lithium batteries designed specifically for use in the Superlite Electric Foldable Wheelchair.
- (2) Read all battery instructions before attempting to change or charge batteries.
- (3) When you don't use the Superlite Electric Foldable wheelchair for long periods of time, please charge the battery monthly to maintain battery and utility.

◎ Fasteners

Many of the screws, bolts and nuts on the Superlite Electric Foldable Wheelchair are special high-strength fasteners. Replacing these fasteners with non-approved parts may result in faulty operation and may cause harm to you or other people; therefore:

- A. Use fasteners that have been supplied by an authorised reseller.
- B. Using the correct tools, tighten any fasteners that become loose as soon as possible.

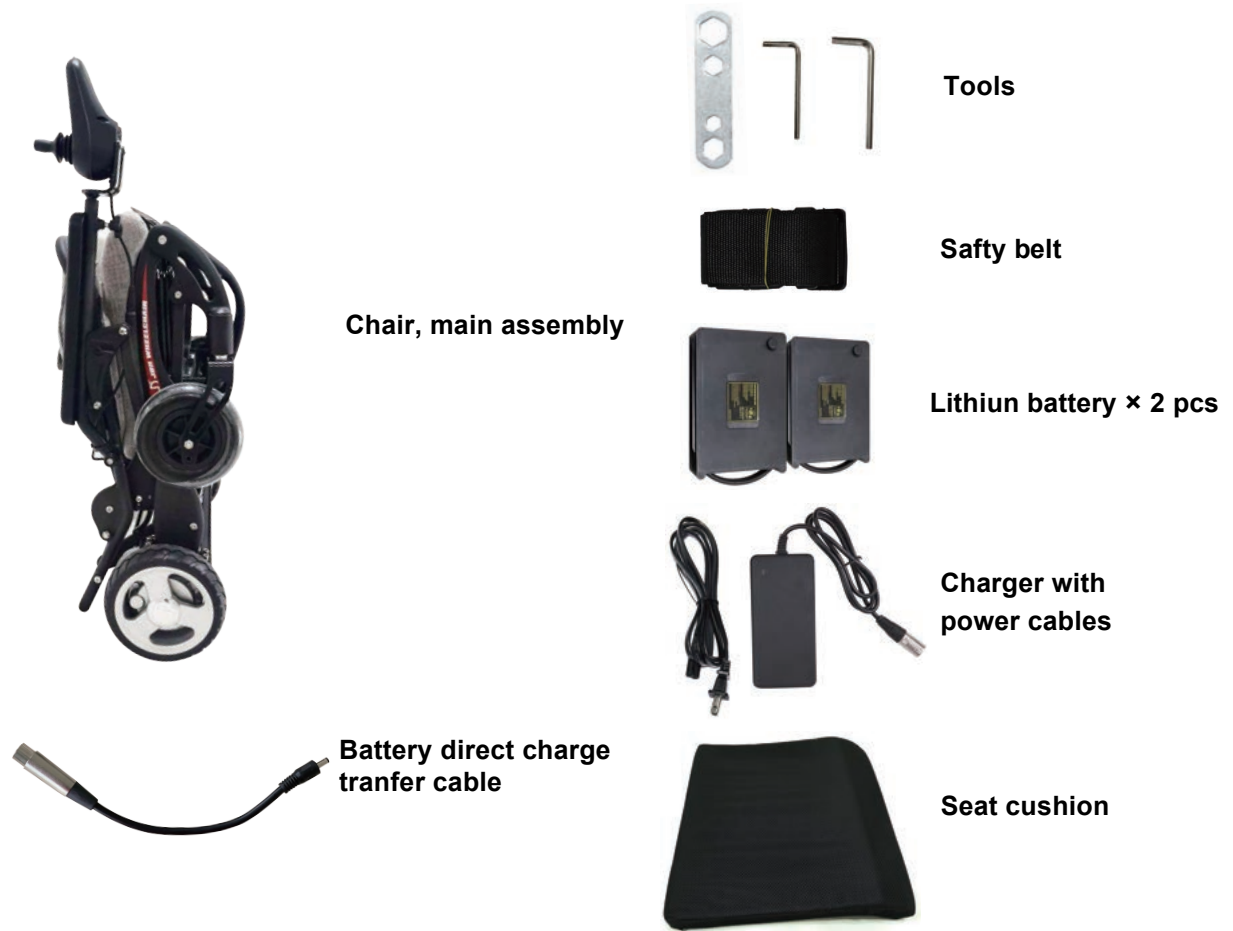
◎ Change and Adjustments

Never use non- Superlite Electric Foldable Wheelchair parts or make changes. Doing so will void the warranty and may create a safety hazard.

INSTALL SETUP

Your Superlite Electric Foldable Wheelchair will arrive carefully packaged in a cardboard box.

1. Open the top of the box then turn the box on the side for easier pulling out the chair and contents.
2. Total components as below:



3. To expand the Superlite Electric Foldable Wheelchair grasp the push bar and pull up while holding down on the seat to expand the chair and complete the assembly:



INSTALL SETUP

4. Ensure the clip located below the seat to the rear locks into place.



5. Install the controller into the open slot on the arm of the chair on the right side (if user needed can change to left side). Tighten the knob located under the armrest to secure the controller in place.



Slide joystick Controller into armrest



Secure joystick controller knob

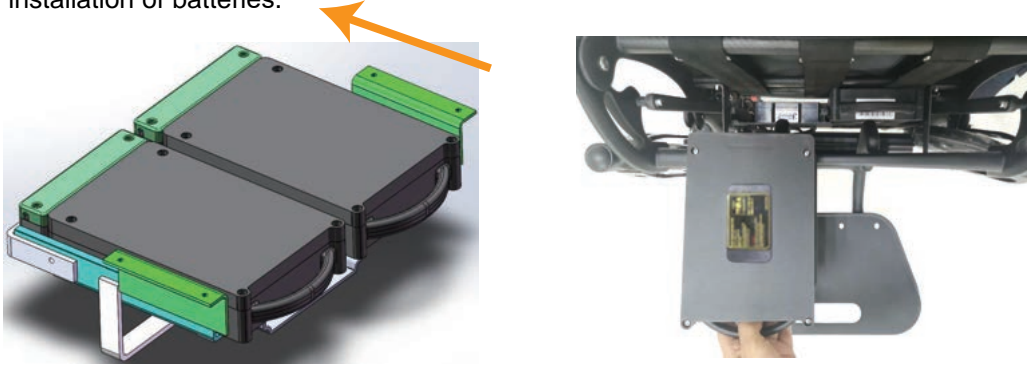
6. Connect the controller wire harness to the CPU wire harness. Take care the line up the pins properly as arrow tip indicate so that they do not get bent, broken or damaged.



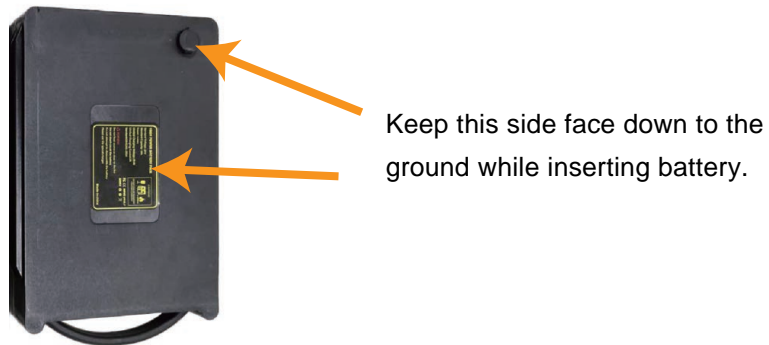
Note Make sure connector pins “white arrow” to “white arrow” .

INSTALL SETUP

7. Hold handle of battery with one hand while sliding into the battery channels for installation of batteries.



- Note** Please keep the charging port side (Panel with warning sticker) of battery face to ground.



8. Take out battery by holding the strip of battery pulling out by hand.



9. Make sure batteries are slotted into holder completely for proper power connection.



FOLDING AND UNFOLDING

Make sure all the screws and nuts are tight and that all attachments are fastened correctly before use.

◎ Procedures for wheelchair folding

1. Hold top of backrest frame with one hand, the other hand lift up the locking control rod at the back of back rest for unlocking.
2. Lift up the front of seat by hand for folding.
3. Push top of back rest and front end of seat together.
4. Fold foot pedal.



◎ Procedure for wheelchair unfolding

1. Unfold food pedal first.
2. Hold the top of backrest with one hand and the other hand holding the front end of the seat.
3. Both hand push away till a “Click” sound heard for completely unfold the wheelchair.



CONTROLLER

The Superlite Electric Foldable Wheelchair is equipped with a joystick style controller. Detail functions as shown:



© Controller and Driving Tips

1. Take some time in a safe, controlled environment to learn the operation of controller, the speed and the maneuverability of wheelchair.
2. When turning, reduce your speed, which will help you avoid any potential tilting or tip-ping of wheelchair.
3. Be sure to adjust the speed depending on your environment.
4. To slow down, slowly bring the joystick back toward the initial position.
5. To stop, just bring the joystick back to the initial position.
6. Use extra care when you drive the Superlite Electric Foldable Wheelchair in reverse. You may lose control or fall if one of rear wheels hits an object. When operating in reverse:
 - A. Operate the wheelchair slowly and at an even speed.
 - B. Stop often and check to make sure your path is clear of obstacles.

BASIC OPERATION

Before operating your Superlite Electric Foldable Wheelchair, be sure to read all safety information and precautions included in this manual. Operate only in the appropriate environment after you have practiced operation the wheelchair and know how to work the controller.

Please make sure that.

GET IN	Be certain that the power is OFF before sitting in the seat of Superlite Electric Foldable Wheelchair, with no lights on the controller and make sure the footrest is in the down position before getting into the wheelchair.
POWER ON	Press the Power button.You will hear a beep and a light will indicate that power is on.
TURNING & STEERING	Use the joystick style control to steer and turn left, right or go forward and backward.
STOPPING	Simply remove your hand from the joystick to stop.
POWER OFF	When stopping, it is advised that you power OFF the wheelchair to prevent accidents. Press the power button to turn off the wheelchair.
GET OUT	Make sure there is no light on the controller before getting off the wheelchair.

CHARGING BATTERIES

Your Superlite Electric Foldable wheelchair will arrive with full charged batteries, which should last about 18 km under normal operation conditions. We recommend that you run the Superlite Electric Foldable Wheelchair until the batteries are completely dead the very first time in order to get the most out of the battery life.

© **First charging method**

Charge both batteries at the same time via controller charge port.

1. Turn the power off.
2. Plug in the charger to the controller port. Connect the charger cable first, then turn the power on.

CHARGING BATTERIES



Caution

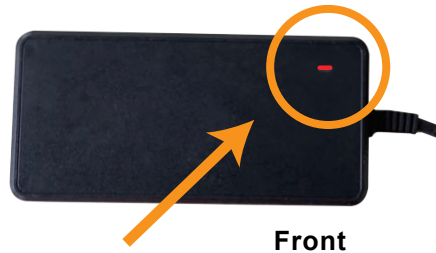
Do not charge continuously over 6 hours through charging port of controller to prevent over charging while two batteries are inserted into both sides of frame. Never charge over 3 hours when it is only one battery in either side of frame.

3. Allow your wheelchair to charge for 6 hours full charge or when the light on the charger turns green, which means your batteries are full charged.
4. Should you require them, the lights and what they mean are located on the back of the charger.



Back

Definition of what the light colour mean



Front

Charger light

Light should come on after plugging in the charger.

GREEN colour indicates **fully charged**.

RED--battery is **charging**.

© Second Charging Method:

1. Turn off the main power.
2. Flip open the charger port protector on the front of battery.
3. Use the secondary charger pigtail to adapt the battery charger to plug into the battery directly.



Caution

Keep charging time of single battery in 3 hours when it comes to off board charging to avoid over charging.



Caution

Immediately unplug charger from power source as soon as indicating light on charger turns green.

CHARGING BATTERIES

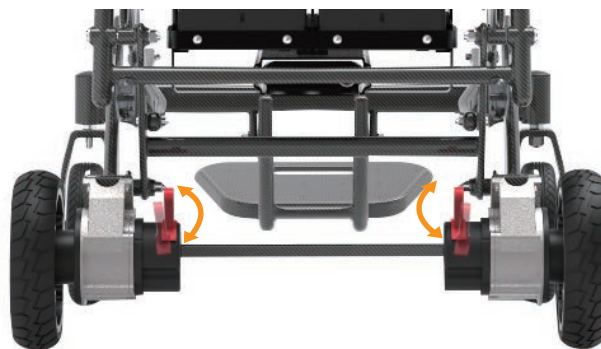
© More information on the Superlite Electric Foldable Wheelchair batteries...

1. The Superlite Electric Foldable Wheelchair comes with two charged 24V 6AH lithium batteries.
2. Charge the batteries for 3-4 hours for each battery.
3. Turn the main unit's power off while charging.
4. Do not leave children unsupervised near the power wheelchair while it is charging.
5. Do not attempt to open the battery housing.
6. Red light means the power is on and the unit is charging; green light means the unit is fully charged. Note: this information is also located on the back of the charger.
7. When the battery is full charged, remove cable, then take out the DC charging connector and AC input power socket. The average time taken to re-charge workable batteries is 6 hours depending on the level of usage.
8. Do not charge more than 6 hours.
9. If you do not operate the Superlite Electric Foldable Wheelchair for two months, we recommend that you charge the battery for 6 hours before use.
10. The charger is equipped with a voltage surge protector. In case of power surge, the power system will be automatically shut down to avoid damage on motor and batteries.
11. The life cycle of a lithium battery is measured in charging cycles with a life of 500 charge cycles.
12. Check the battery indicator light daily if you use the Superlite Superlite Electric Foldable Wheelchair frequently.
13. Do not use any battery chargers that have not been provided by a certified reseller.
14. If damaged, do not handle the battery without protective gloves and eyewear.
15. If the battery needs to be disposed of, locate the nearest hazardous materials disposal facility, and call them for instructions.
16. Before storing your Superlite Electric Foldable Wheelchair for long periods of time, take these steps to maintain the battery:
 - a. Full charge the battery before storing.
 - b. Remove the battery from the wheelchair.
 - c. Store the battery in a room temperature environment that is kept dry.
 - d. Avoid temperature extremes and do not allow the battery to freeze.Do not attempt to charge your battery if it is frozen from extreme weather conditions, instead first allow it to thaw for several hours.

FREE WHEEL MODE

In order for a carer to manually push the Superlite Electric Foldable Wheelchair, it must be put in Free Wheel Mode. This mode disengages the drive mechanism to the wheels making them free to push manually. We recommend that you turn off the power of wheelchair when in this mode, both for safety and to save battery power.

1. To put the Superlite Electric Foldable Wheelchair in Free Wheel Mode, come to a full stop and turn OFF the power on the controller.
2. Push down on the two red levers located on each rear wheel as shown:



Push down two red levers on each wheel.

TRANSPORTING

To transport your Superlite Electric Foldable Wheelchair, it is advised that you fold it up following the procedures below.

Note Never sit in the wheelchair while transported in a moving vehicle. Do not place the folded power wheelchair in the front seat with driver where it could move and impede the driver.

1. Turn OFF the power from the controller.
2. Press down the backrest and flip the back safety latch down to unlock the frame.

TRANSPORTING



Flip up to unlock frame

4. Fold the wheelchair.
5. When folded, the foot pedal can be used to move the wheelchair easily.



TROUBLE SHOOTINGS

The following represents the most common questions asked about the Superlite Electric Foldable Wheelchair with regard to every day use; check this helpful guide or the operator's manual for more information if you have a question about using your power wheelchair.

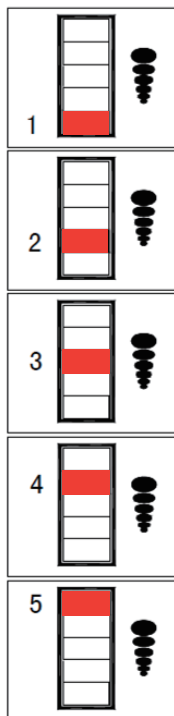
Question	Possible causes	Answer
Why is there no power to the wheelchair?	<ol style="list-style-type: none"> 1. Controller system power is not connected. 2. Controller system CPU and joystick are not connected. 3. Battery power is too low. 	<ol style="list-style-type: none"> 1. Connect the battery. 2. Ensure all connections between joystick, CPU and battery are securely tightened. 3. Charge the battery.
Why is the wheelchair noisy or vibrating when turning?	<ol style="list-style-type: none"> 1. Speed is set too low. 2. Motor is damaged. 	<ol style="list-style-type: none"> 1. Raise the speed. At low speeds, the motor may sound or feel strained. 2. Replace the motor.
Why can't I charge the battery?	<ol style="list-style-type: none"> 1. Charger light does not turn on. 2. Charger light is always green. 3. Charging time is stopped before full charge is complete. 	<ol style="list-style-type: none"> 1. Replace the charger. 2. Battery is not connected, or may need to be replaced. 3. Capacity of battery has decrease over time. This is normal.
Why can't I connect the controller?	<ol style="list-style-type: none"> 1. Connector pins (male) on the controller have become bent and misaligned with connector holes (female) on the CPU connector. 	<ol style="list-style-type: none"> 1. Using a small tool, carefully straighten the connector pins (male) on the controller to align with holes (female) on the CPU connector.

DIAGNOSTICS

Your controller has an indicator light. During normal operation, it is a steady GREEN. This light also functions as a diagnostic tool by flashing in patterns that indicate problems. It is important to pay attention to these diagnostics in case the power wheelchair must be put out of use for safety reasons and until maintenance can be performed.

If the indicator light indicates a fault, turn off the power and then turn on power again. If the fault is not released after turning on power again, the indicator repeats this error message. Please refer to the fault information diagnosis table to help you find possible problems and corresponding solutions.

If the above method still does not help you troubleshoot, please contact your dealer. When communicating with the dealer, provide the specific problems in detail as much as possible.



1st red light flash indicates the pressure of battery is not full.

2nd red lights flash indicates no signal to joystick.

3rd red lights flash indicates the wheelchair is charging.

4th red lights flash indicates sufficient power to operate.

5th red lights flash indicates the brake solenoid is not connected or is damaged.



WARRANTY

The purchaser of this product is entitled to a limited warranty as offered by our company, and its affiliates on the following components and time frames:

- ✘ Chair frame: 3 years
- ✘ Motors: 1 year
- ✘ Controller and CPU system: 1 year
- ✘ Battery: 6 months
- ✘ Parts: 3 months

Includes tires, seat and back rest, armrests, and support straps.

Due to its straight forward design, most parts can be easily exchanged by the end user without a professional service tech required. However, it is always recommended you seek professional help for maintenance and service, to make sure the work is done properly.

The warranty does not cover:

1. Products damaged by user negligence.
2. Products damaged accidentally.
3. Products damaged intentionally.
4. Products that have been subjected to negligence.
5. Products that have been subjected to abuse.
6. Products that have been improperly stored.
7. Products that have been improperly handled.
8. Products that have been improperly operated.
9. Products that have experienced general misuse.
10. Products that have been modified in an unauthorized or unapproved way.

WARRANTY CARD

JBH MEDICAL

Warranty Registration Card

Owner Name			
Address		Phone No.	
Model	DC01 GTIN:9346376063944	Product No.	

Purchasing Date	(Month)	(Day)	(Year)
Manufacturer	JBH MEDICAL		
Importer	Peak-Care Equipment Pty Ltd		
Distributor (Phone, Address)			

JBH MEDICAL

NANJING JIN BAI HE MEDICAL APPARATUS COMPANY LIMITED No.

12, Wuge Rd, Jiangning, Nanjing, Jiangsu, 211113, China

ANHUI JBH MEDICAL APPARATUS COMPANY LIMITED

No. 116, Qicang Road, Mingguang, Anhui, 239499, China

IMPORTED EXCLUSIVELY BY PEAK CARE EQUIPMENT PTY LTD

Level 1, 149 Princes Highway, Unanderra 2525 Phone: (02) 4272 2688

Imported by www.peak-care.com.au



JBH MEDICAL

NANJING JIN BAI HE MEDICAL APPARATUS COMPANY LIMITED

No. 12, Wuge Rd, Jiangning, Nanjing,
Jiangsu, 211113, China

ANHUI JBH MEDICAL APPARATUS COMPANY LIMITED

No. 116, Qicang Road, Mingguang,
Anhui, 239499, China

IMPORTED EXCLUSIVELY BY PEAK CARE EQUIPMENT PTY LTD

Level 1, 149 Princes Highway, Unanderra 2525 Phone: (02) 4272 2688

www.peak-care.com.au

DC01

