

# LMS080 - WINCH TRACK SYSTEM



The LMS080 Winch Track system enables lighting and equipment to be installed and raised to heights of either 4.0m or 6.3m (approx).

## **TECHNICAL SPECIFICATIONS**

**Mount:** Wall or Support Structure Mount (bolt to structure).

Raise equipment to a height of 4.00m (standard) or 6.3m (extended track) when installed with winch 1.2m above floor level

- ✓ Hot Dipped Gal (HDG) Finish or 316 Stainless Steel
- ✓ Recommended maximum light fitting weight up to 25kg

## **FEATURES & BENEFITS**

### **SINGLE PERSON OPERATION**

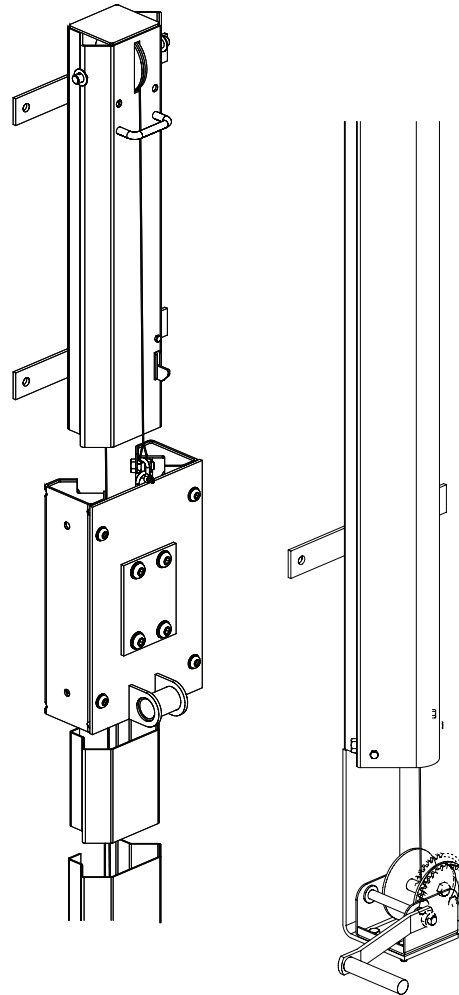
Simple one person operation to lower lighting or equipment for maintenance

### **INSTALL OPTIONS**

Additional track sections to enable equipment to be raised to a height of 6.3m approx

### **NO SPECIALISED EQUIPMENT NEEDED**

Eliminates the use of specialised access equipment for lighting maintenance



**Australian Made Lighting Poles & Accessories for accessible  
Lighting Installations & Maintenance**

[www.lightmountingsystems.com.au](http://www.lightmountingsystems.com.au)

[sales@lmsau.com](mailto:sales@lmsau.com)

61 2 4932 9000

