



ItalianGelato
Concepts

dessert projects & equipment supply

Ph: +61 (0) 7 3162 7724

info@italiangelato.com.au



ICE VISION

ASTRA



SOLUZIONI D'ARREDO PER FOOD & BEVERAGE

Il freddo e' il nostro habitat

ASTRA



A s t r a

Pastry Praline

A NEW CONCEPT of display cabinets, refrigerated and neutral ...for everything and for everyone!

- One-piece shell with 60 mm-thick polyurethane insulation, AISI 304 stainless steel tank.
- LED lighting. (optional)
- Heated glass superstructure
- Front glass opening and compass aesthetic panel to facilitate cleaning beneath the display surface and in the engine compartment.
- Back closing with sliding Plexiglass doors. (optional) Ventilated refrigeration.
- Hermetic compressor, optimal refrigeration performance with low noise level.
- Electric defrosting, control panel for temperature and humidity regulation.
- Climate class 3 (26° / 60% RH).
- Gas R404/452





REFRIGERATED WITH SOFT FLOW SYSTEM



FULL VENTILATED REFRIGERATION



TECHNICAL DATA



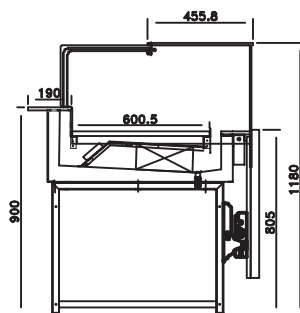
MOD.										Supply	Output	No. Climate class
	L	D	H	P	L	D	H	P				
ASTRA 130 Pastry	[cm]	[cm]	[cm]	[kg]	[cm]	[cm]	[cm]	[kg]	[°C]	[V/hz]	[Kw]	[C°/%RH]
FIXED GLASS	134	93	118	210	178	121	156	260	2°/4°	230/1/50	0,51	3 (26/60)
HINGED GLASS	134	93	118	230	178	121	156	280	2°/4°	230/1/50	0,51	3 (26/60)
ASTRA 130 Praline	[cm]	[cm]	[cm]	[kg]	[cm]	[cm]	[cm]	[kg]	[°C]	[V/hz]	[Kw]	[C°/%UR]
FIXED GLASS	134	93	118	210	121	121	156	260	15° RH%60°	230/1/50	0,51	3 (26/60)
HINGED GLASS	134	93	118	230	178	121	156	280	15° RH%60°	230/1/50	0,51	3 (26/60)



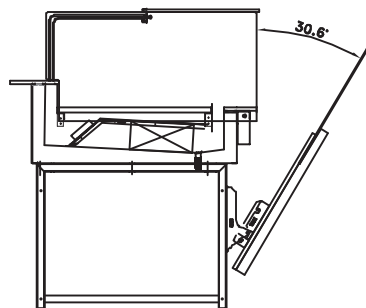
ItalianGelato
Concepts
dessert projects & equipment supply

Opening glass

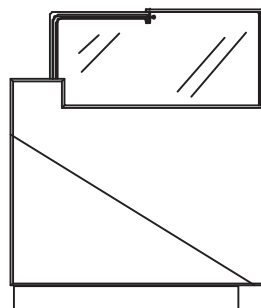
Fixed glass



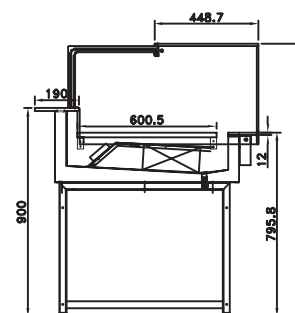
Base



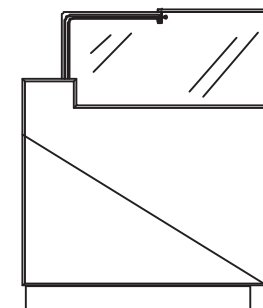
With panels



With panels

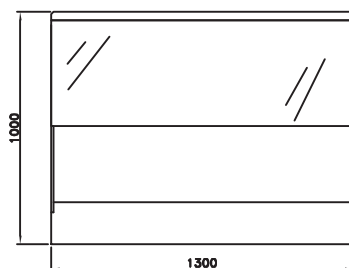


Base

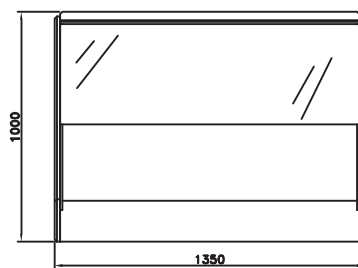


With panels

ASTRA 130 Base



ASTRA 130 Paneled



COLOURS



The showcase can be customized in colors according to available RAL.

STANDARD

Electronic control unit
R404/452 refrigerant gas



ItalianGelato
Concepts
dessert projects & equipment supply



Italian Gelato Concepts Pty Limited
Unit 1, 37 Mortimer Road
Acacia Ridge Qld 4110

Bris Office: +61 [0] 7 3162 7724
Syd Office +61 [0] 2 8311 9701
Email: info@italiangelato.com.au

www.italiangelato.com.au



SOLUZIONI D'ARREDO PER FOOD & BEVERAGE

AF DESIGN 0118 - ICEVISION