



SSC065, 080 & 090 CUBE ICE MAKERS



SSC065, 080, 090

- 13g cube ice ideal for use by restaurants, hotels, licensed bars, juice bars, take away outlets and health care facilities
- 18/8 grade stainless steel cabinets with integrated food grade polyethylene storage bin



SSC065, 080 & 090 CUBE ICE MAKERS

Specifications

Power

Voltage – 240-50Hz
Amps – SSC065 3.0 – SSC080 3.6
– SSC090 3.9

Refrigerant

R404a

Shipping Weight

SSC065 78x64x103cm (89kg)
SSC080 78x64x103cm (98kg)
SSC090 78x64x103cm (102kg)

Water Supply Requirements

3/4" BSP male stop cock



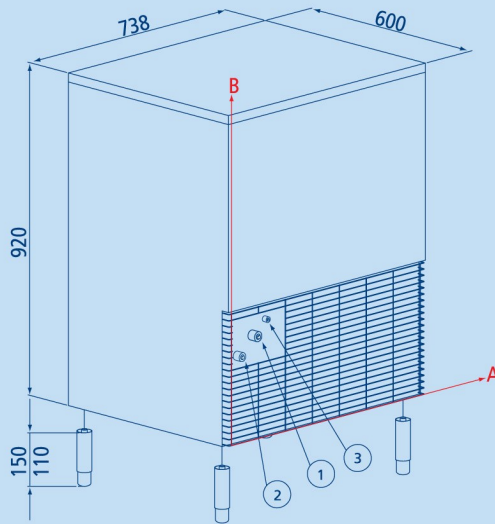
Drainage

Floor waste within 1 metre of machine
Note! Must be below machine outlet

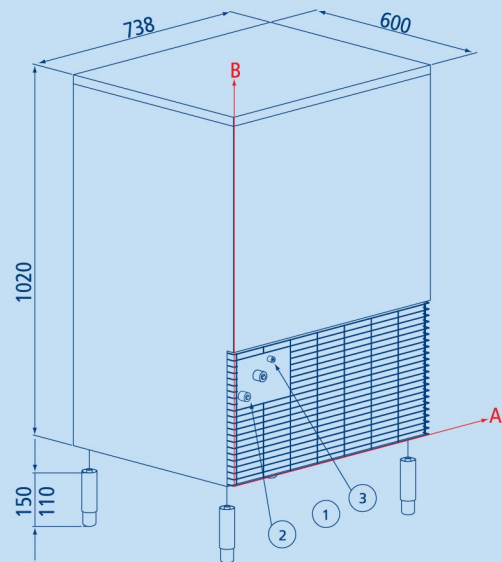
Ice Making Capacity (kg/24hours)

	Production	Storage
SSC065	65	40
SSC080	80	40
SSC090	90	55

	Water In (1)		Drainage (2)		Power In (3)	
	A	B	A	B	A	B
SSC065	116	285	54	240	161	321
SSC080	116	285	54	240	161	321
SSC090	116	285	54	240	161	321



SSC065 & SSC080



SSC090

Continuing product improvement may necessitate changes of specifications without notice.

Distributed By

For more information or the name
of your local sales agent call:

Stuart Manufacturing

1 Jayelem Crescent Padstow NSW 2211

Sales 1300 301 380 • General Enquiries 02 9773 3711

Facsimile 02 9773 4400 • Email ice@stuman.com.au

Website www.stuman.com.au