

MINI-CONCEPT ROTI-ROASTER

5.320iF2LSP8

ROTI-ROASTER MINI-CONCEPT

Mini rotisserie concept to save space, energy

The mini rotisserie : Optimisation of a space with a self-service display, 2 presentation levels in stainless steel inclined at 10°, with digital display and electronic temperature control, mounted on adjustable feet or casters with brakes.

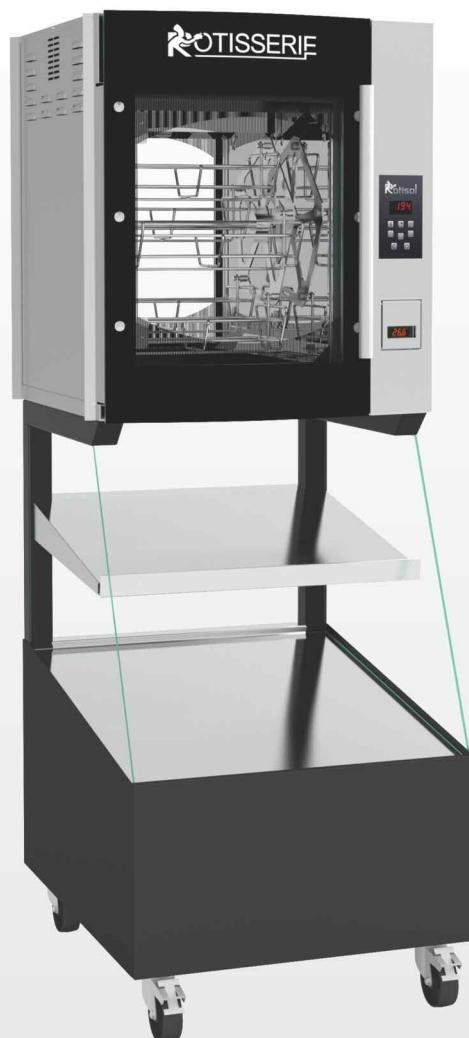
Topped by a programmable roaster convection Roti-Roaster with baskets or chicken spits, electronic programming time and temperature with digital display and alarm after cooking cycle and then maintaining the temperature at 63 ° C with a program of pre-cooking, six cooking programs with security convex glass and double glass on service side.

Digital Display with programming of cooking parameters (time and temperature)

Pre heat program

6 cooking program

Controls on front or rear of the Roti-Roaster



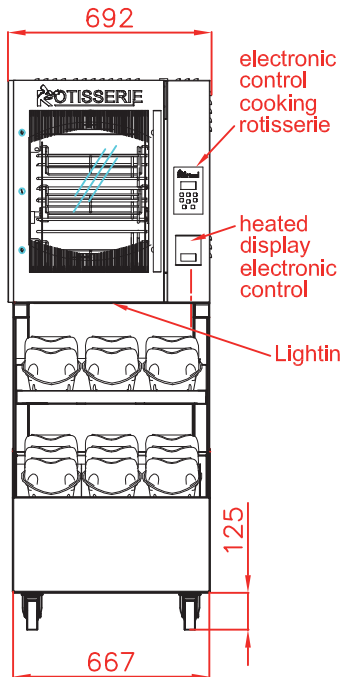
5.320iF2LSP8

ACCESSORIES

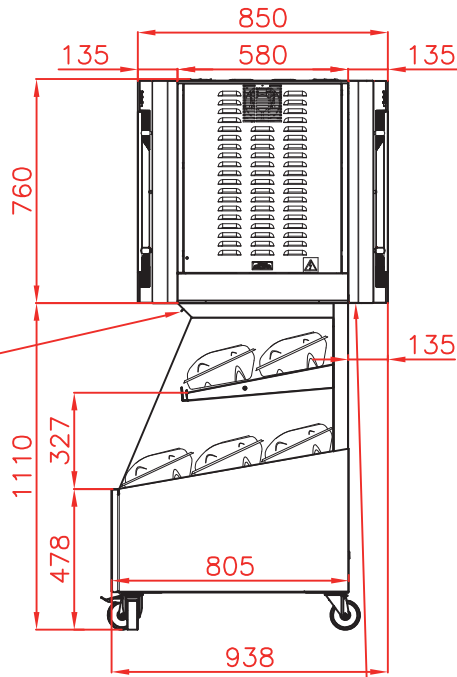
A variety of accessories are available for the unit. Video of available [accessories](#).

BALD320 Chicken baskets standard.		BAP320 Small cuts baskets.		BAB320 Big pieces of meat spit.	
PD320 Stainless steel rack top.		TP5320 Protective roof.			

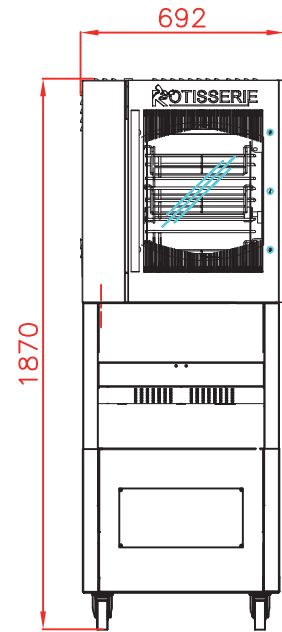
Front view
client side
Top view



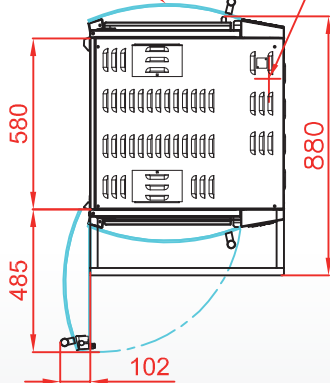
Side view



Rear view
service side



Option:
curved rear
window



Electrical supply
400V3N~



Revised :
April 2021

SPECIFICATIONS

Capacity roasted chickens	5/10 poultries, 5 baskets
Display capacity	15 poultries
Power supply	400 V-50Hz/60Hz + earth
Electrical power	5,1 kW
Weight and size (HxDxW)	180 kg ; 1870 x 938 x 692 mm
Shipping weight and size	225 kg ; 1970 x 1030 x 750 mm
Guarantee	1 year on parts



5.320iF2LSP8

DISTRIBUTOR / AGENT

Rotisol S.A.S.

Zone industrielle La Trentaine, Avenue Gustave Eiffel

77507 Chelles cedex - FRANCE

s.bennell@rotisol.com - Tel : +33 1 64 21 80 00

www.rotisol.com