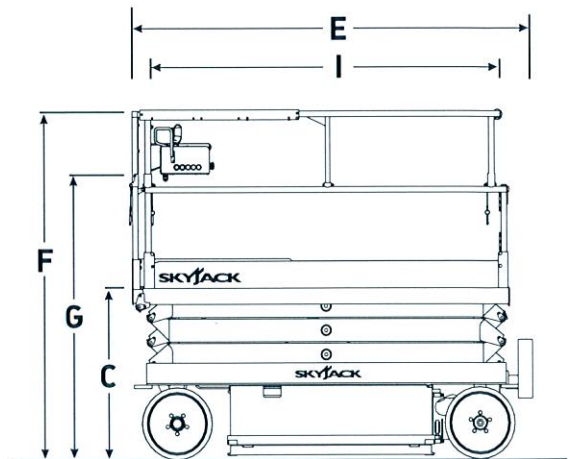
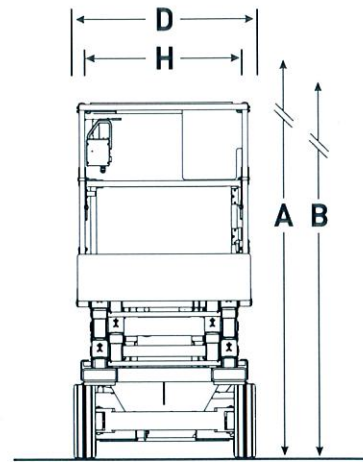


SJIII 4626/32 ELECTRIC SCISSOR LIFTS

Dimensions	SJIII 4626	SJIII 4632
A Work Height	9.92 m	11.75 m
B Raised Platform Height	7.92 m	9.75 m
C Lowered Platform Height	1.14 m	1.23 m
D Overall Width	1.17 m	1.17 m
E Overall Length	2.31 m	2.31 m
F Stowed Height (Rails Up)	2.15 m	2.24 m
G Stowed Height (Rails Down)	1.79 m	1.88 m
H Platform Width (Inside Dimension)	1.07 m	1.07 m
I Platform Length (Inside Dimension)	2.13 m	2.13 m

Specifications	SJIII 4626	SJIII 4632
Extension Deck (Roll Out)	0.91 m	0.91 m
Ground Clearance (Stowed)	8.89 cm	8.89 cm
Ground Clearance (Raised)	1.91 cm	1.91 cm
Wheelbase	1.75 m	1.75 m
Weight	2,760 kg	2,720 kg
Gradeability	25%	25%
Turning Radius (Inside)	1.21 m	1.21 m
Turning Radius (Outside)	2.37 m	2.37 m
Lift Time (With Rated Load)	54 sec	59 sec
Drive Speed (Stowed)	2.4 km/h	2.4 km/h
Drive Speed (Raised)	1.1 km/h	1.1 km/h
Maximum Drive Height	Full Height	Full Height
Capacity (Overall)	454 kg	318 kg
Maximum # of Persons (0 wind rating)	3	2
Maximum # of Persons (12.5 m/sec wind rating)	2	1



Skyjack Australia Pty Ltd
 4 Coates Place
 Wetherill Park
 New South Wales, 2164
 Tel: +61 (0) 2878 63200
 Fax: +61 (0) 2878 63222
 Email: jcranmer@skyjack.com

www.skyjack.com

This brochure is for illustrative purpose only and based on the latest information at the time of printing. Skyjack Inc. reserves the right to make changes at any time, without notice, to specifications, standard and optional equipment. Consult the Operating Maintenance and Parts Manuals for proper procedures. AS marked platforms are in conformance to Standard AS/NZS 1418.10:2011.