

PP1700 | Two Door Pizza Prep Counter

Food Preparation

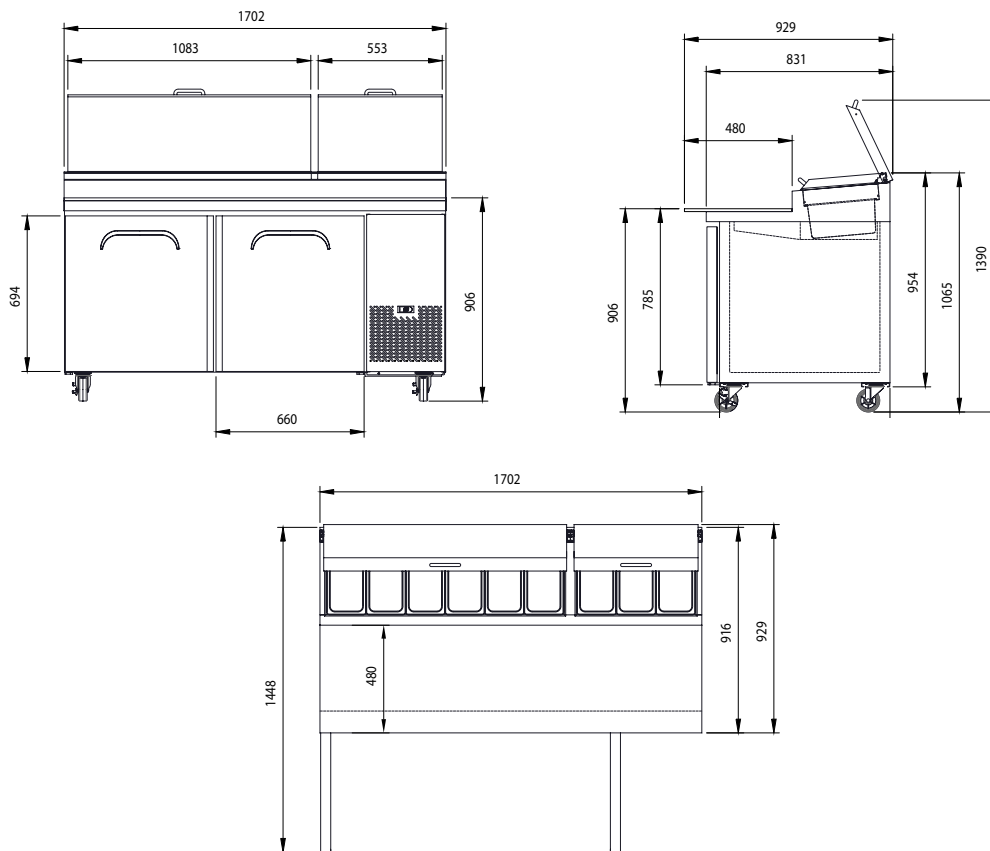
NEW

**PP1700
PIZZA PREP
COUNTER**



PP1700 | Two Door Pizza Prep Counter

Food Preparation



SPECIFICATIONS

Part Number	3735801
Capacity	572 Litres
Weight	165kg
Air Circulation	Forced
Temperature Range	0°C to 5°C
Temperature Type	Digital
Ambient Temperature	43°C
Climate Class (Safety)	5
Exterior	Stainless Steel
Interior	Stainless Steel
Electrical Voltage	220 - 240V
Frequency	50Hz
Current	3.4A
Door	Solid
Door Shape	Flat
Self-Closing Door	Yes
No. of Tubs	9, Removable
Tube Dimensions	W176mm x D324mm (GN 1/3")
No. of shelves	4, Adjustable
Shelf Dimensions	W600mm x D643mm
Shelf Type	Open Rung Shelf
Refrigerant	R134a
Refrigeration Charge	340g
Power Supply	10A
Wheels	4x Castors
Brakes	Front Only
Wheel Dimensions	4"
Warranty	2 Years
Warranty Service	Bromic Extra Care

DIMENSIONS

	External (mm)	Internal (mm)
Height	1065	590
Width	1702	1260
Depth	929	670

All information is correct at the time of publication. BROMIC PTY Ltd reserve the right to alter specifications without notice.