

NDF100 / NDF125 / NDF150

Dual Fuel Burner

766kW 4059kW



NDF100/125/150 Dual Fuel Burner features:

- Burner mounted control panel
- Simple switch changeover between fuels
- 2-stage control (high/low) NDF35-100
- Designed and approved in accordance with the European Standard EN 676 and EN267
- NDFL - Class 'D' oil 5.5 cSt @ 40°C
- NDFR - Class 'G' oil 40 cSt @ 100°C
- Fully closing air damper
- Oil Heater – Burner mounted pumping & heating unit included with burner to heat oil for atomisation for NDFR
(Intermittent operation during standby to maintain oil temperature for immediate restart)
- NDFR burners require a pre-heated ringmain oil supply, minimum temperature @ 83°C for Class 'G' oil
- All kW ratings are nett CV
- Suitable for high resistance boilers
- Industry standard components easily available
- Options Extras:
 - Modulating control (Std on NDF100-41 and above)
 - Air inlet silencer (Std on NDF100-41 and above)
 - Acoustic cover (wheel-over)
 - Water level control panel (AOTC)
 - Free-standing pumping & heating unit



For more information on all Nu-way products
please visit www.nu-way.co.uk


Enertech Group

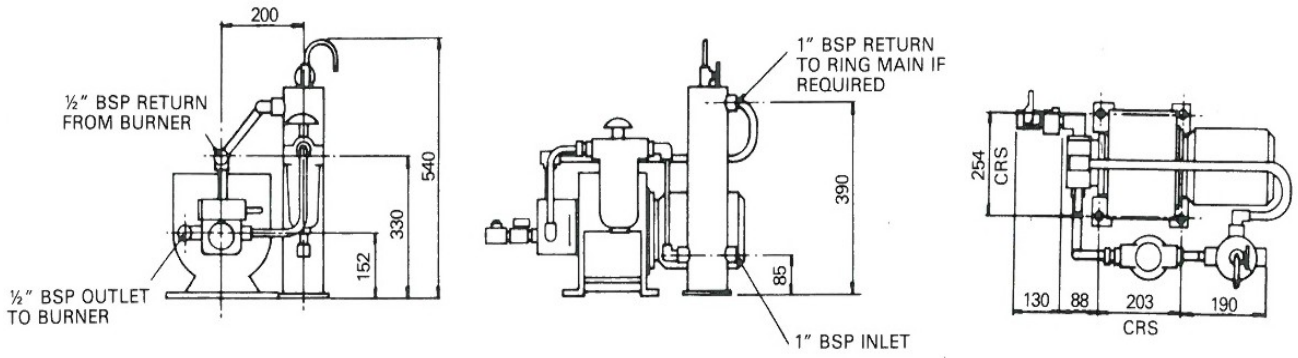
NDFL – DISTILLATE FUEL MODULATING										
Separate Panel and Pump Unit										
Burner Type		NDFL100		NDFL125			NDFL150			
Capacity	Kw	766-2706		1786-3247			1308-4059			
		100-41	100-44	125-36	125-41	125-44	150-36	150-41	150-44	
Fan Motor	V/ph/Hz	380-420 / 3 / 50			380-420 / 3 / 50			380-420 / 3 / 50		
	kW	11.0	11.0	7.5	11.0	11.0	11.0	11.0	15.0	
Run Current	A/each phase	24.0	24.0	17.5	24.0	24.0	24.0	24.0	31.0	
Cable size	mm ²	6.0	6.0	4.0	6.0	6.0	6.0	6.0	10.0	
Fuse	A (HRC)	50	50	40	50	50	50	50	50	
Pump Motor	kW	1.5*	1.5*	1.5*	1.5*	1.5*	1.5	1.5	1.5	
Control unit		LFL		LFL			LFL			
Flame monitoring		UV Cell		UV Cell			UV Cell			
Control Options		Modulating		Modulating			Modulating			
Air damper motor		•		•			•			
Pressure gauge		•		•			•			
Noise	@ 1m dBA	92	92	92	93	96	92	93	96	
Gross weight	kg	300		420			420			
Packing dimensions	l x w x h (cm)									

- Standard
- Other electrical supply options available on request.

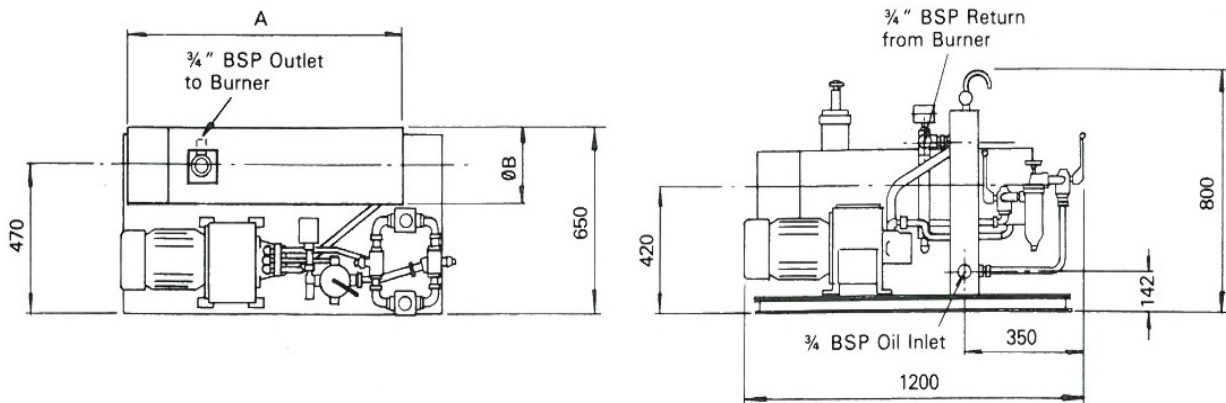
NDFR – RESIDUAL FUEL MODULATING										
Separate Panel and Pumping & Heating Unit										
Burner Type		NDFR100		NDFR125			NDFR150			
Capacity	kW	722-2210		1786-3247			1308-4059			
		100-41	100-44	125-36	125-41	125-44	150-36	150-41	150-44	
Fan Motor	V/ph/Hz	380-420 / 3 / 50			380-420 / 3 / 50			380-420 / 3 / 50		
	kW	11.0	11.0	7.5	11.0	11.0	11.0	11.0	15.0	
Run Current	A/each phase	35.0	35.0	30.5	37.0	37.0	41.0	41.0	48.0	
Cable size	mm ²	10.0	10.0	10.0	16.0	16.0	16.0	16.0	16.0	
Fuse	A (HRC)	60	60	60	60	60	80	80	80	
Pump Motor	kW	1.5*	1.5*	1.5*	1.5*	1.5*	1.5	1.5	1.5	
Pre-Heater	kW	7.5	7.5	9.0	9.0	9.0	12.0	12.0	12.0	
Control unit		LFL		LFL			LFL			
Flame monitoring		UV Cell		UV Cell			UV Cell			
Control Options		Modulating		Modulating			Modulating			
Air damper motor		•		•			•			
Pressure gauge		•		•			•			
Noise	@ 1m dBA	92	92	92	93	96	92	93	96	
Gross weight	kg	400		520			520			
Packing dimensions	l x w x h (cm)									

- Standard
- Other electrical supply options available on request.

All data calculated at 415 volts. Motors marked * are 4 pole. All others are 2 pole. Distillate fuel burners are monobloc. Residual fuel burners have separate pumping and heating units. Modulating burners have separate control panel. Motors 5.5kW and over are star delta start. 1 kW = 1.34 HP. run currents are for oil firing when on gas, this will be reduced to burner motor only unless oil is circulated.



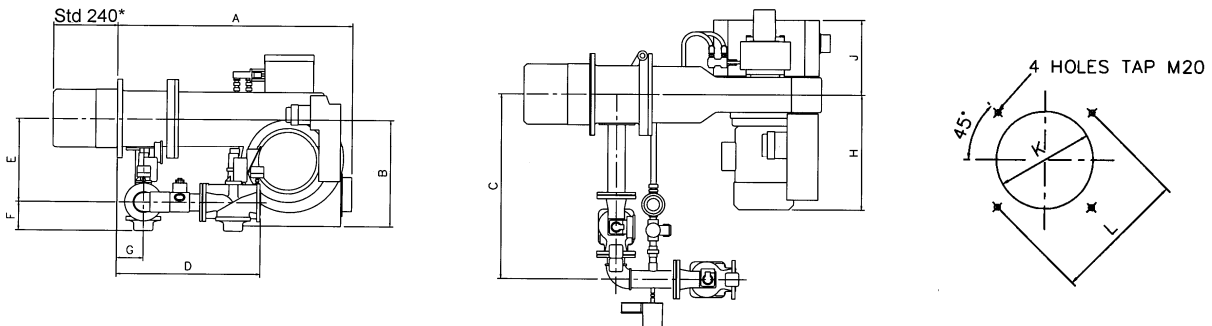
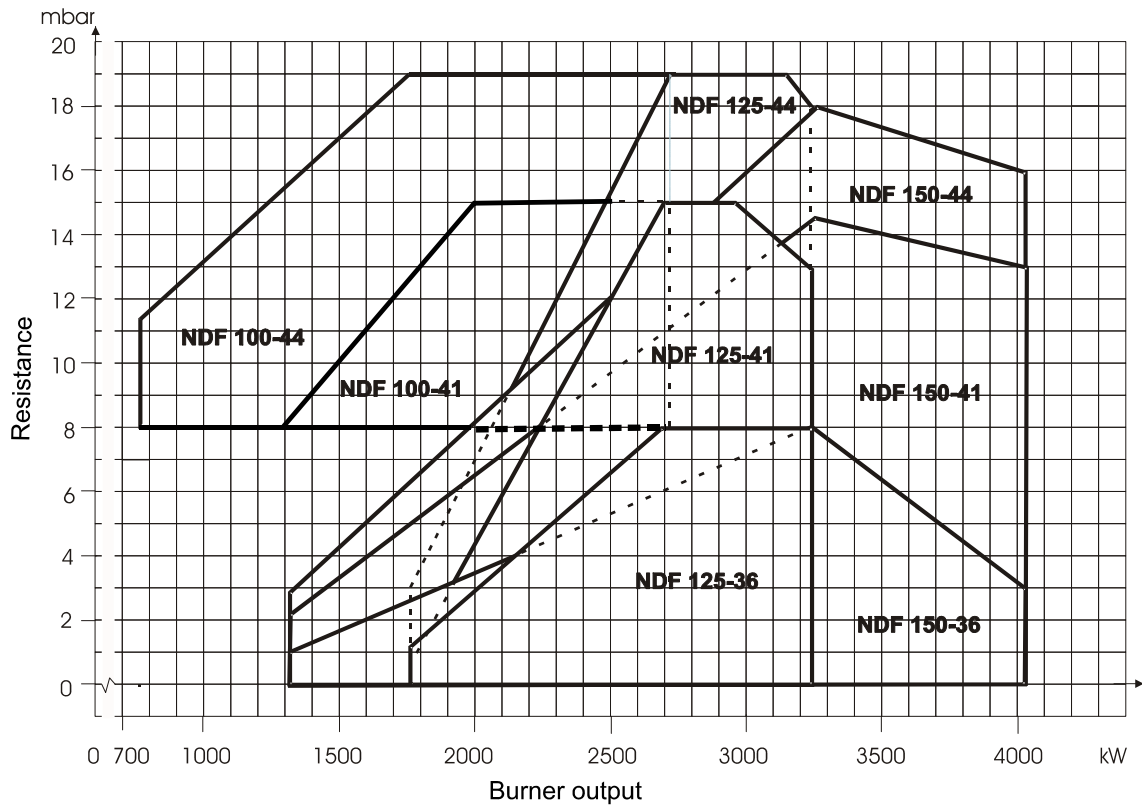
NDFL Modulating: Pump Unit



kW	Dim A	ØB
4.5 & 6.0	692mm	155mm
7.5 & 9.0	684mm	224mm
12.0	586mm	224mm

NDFR Modulating and Sliding High/Low: Pump Unit

BURNER SELECTION CHART



Burner	A	B	C	D	E	F	G	H	J	K	L
NDF100-41, 44	1245	560	955	760	445	165	141	600	385	350	454
NDF125-36, 41, 44	1245	560	955	760	445	165	141	600	385	350	454
NDF150-36, 41, 44	1245	560	925	760	410	165	141	600	385	350	454

Enertech Limited, P O Box 1, Vines Lane
Droitwich, Worcestershire, WR9 8NA

tel: +44 (0) 1905 794331 • fax: +44 (0) 1905 794017
email: info@nu-way.co.uk • web: www.nu-way.co.uk

