



DRYING CABINET

DC8
8 KG

DC16
16 KG

FEATURES

- Very low energy consumption, only 0,5 kWh/kg, very short drying time, 42 minutes (DC 8)
- Four automatic programs and one program for time dry
- HTS - measures the level of humidity every single second, to determine exactly when the textiles are dry.
- 16m (DC 8), 32m (DC 16) hanging length
- Double overheat-protection for increased security.
- The top is removable for easier handling and installation.
- Test program and error codes make it easier for maintenance
- Double sheet metal in sides and doors minimize loss of energy
- Hanging frame can be rotated 90° (DC 16), 180° (DC 8)
- Three fans (2x DC 8) create perfect balance between evacuated and re-circulated air
- Service menu with possibilities to adjust the function of the cabinet
- CE approved

OPTIONS

- Single rack bar, instead of swinging rail
- Kit of 3 hook racks

MARKETS

Laundries, Laboratory, Fire brigades, Police stations, Army, Airports, Campings, Golf clubs, Football clubs, Diving schools, Theatres, Spas, Horse farms, Oil platforms, Ski resorts, Fish industries, Marines, Ships



Speak with a Laundry Specialist

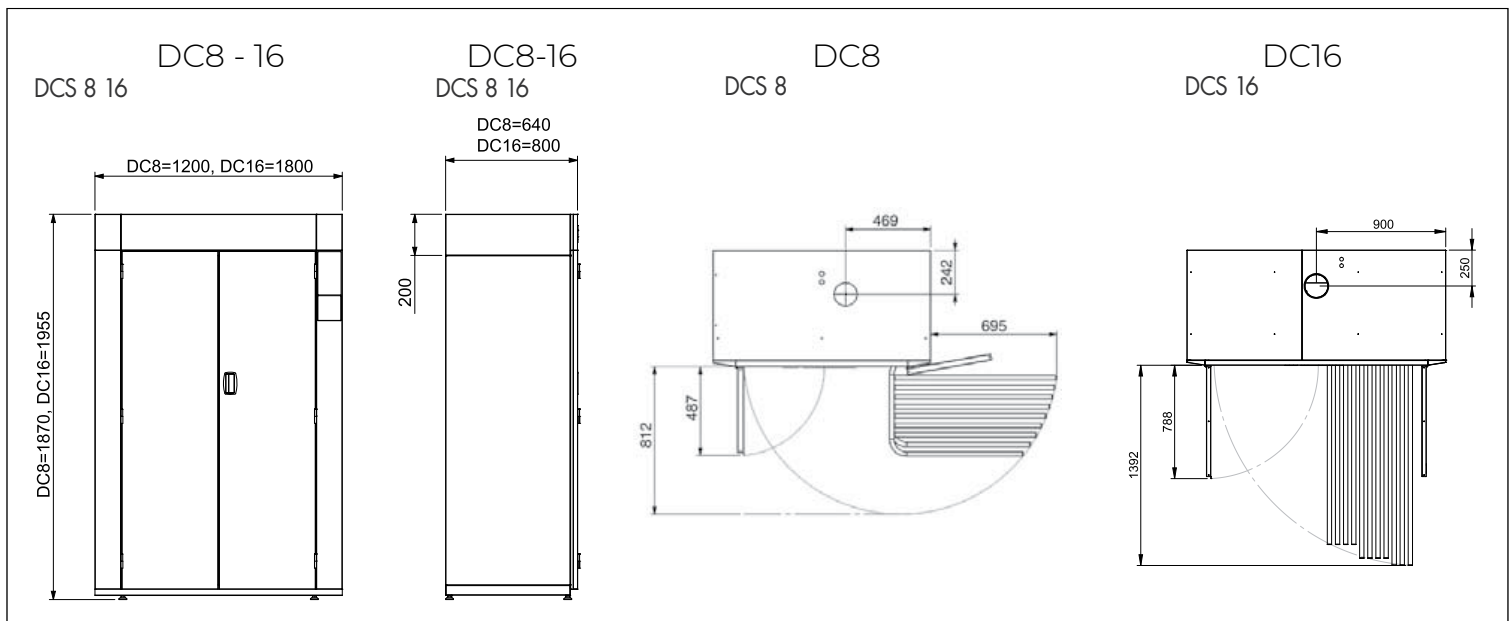
t: 1300 222 119 e: info@aqualogic.com.au w: aqualogic.com.au/contact



	DC8	DC16
LOADING CAPACITY (KG)	max. 8kg	16
DRYING CAPACITY (G/MIN)	62*	81**
HANGING LENGTH (M)	16	32
DRYING TIME (MIN)	42*	64**
EVACUATED AIR (M ³ /H)	340 (max)	550
HEATING EFFECT (KW)	6	9
TOTAL EFFECT (KW)	6,3	9,45
ENERGY CONSUMPTION /KG (KWH)	0,5	0,54
ELECTRICAL CONNECTIONS		
STANDARD ELECTRICAL CONNECTION	380-415V/50/60Hz/3 ph+N	380-415V/50/60Hz/3ph+N
FUSE (A)	10	16
TOTAL EFFECT (KW)	6,3	9,45
HEATING ELEMENTS (KW)	6	9
AIR CONNECTIONS		
OUTLET EXHAUST (MM)	Ø 125	Ø 160
OUTLET AIR FLOW (M ³ /H)	230	300
PRESSURE DROP (PA)	max. 70	max. 260
SOUND LEVEL		
AIRBORNE SOUND LEVEL (DB(A))	62	65
SHIPPING DATA		
NET WEIGHT (KG)	145	235
CRATED (KG)	14	40
GROSS WEIGHT (KG)	159	275
PACKED VOLUME (M ³)	1,78	1,76
OPTIONAL EXTRAS		
SINGLE BAR	Part number POD131070	Part number POD131072
HOOK RACK, SET OF THREE	Part number POD131071	Part number: POD131071
DIMENSIONS		
WIDTH (MM)	1200	1800
DEPTH (MM)	640	800
HEIGHT (MM)	1870	1955

*Drying of 6 kg cotton (dry weight), washed and high-spinned to 43% residual moisture, dried to 0% residual moisture.

**Drying of 12 kg cotton (dry weight), washed and high-spinned to 43% residual moisture, dried to 0% residual moisture.



Speak with a Laundry Specialist

t: 1300 222 119

e: info@aqualogic.com.au

w: aqualogic.com.au/contact

