



DIPLOMAT

DENTAL SOLUTIONS

European quality at
an affordable price



DIPLOMAT ADEPT
DA370 / DA380



William Green Pty Ltd
47- 49 Mary Parade
Rydalmere NSW 2116
Australia

Ph + 61 2 8865 0300
Fax + 61 2 8865 0351
Other Ph +1300 363 830
www.williamgreen.info



DA370 DENTIST'S ELEMENT
Continental delivery system



DA380 DENTIST'S ELEMENT
Traditional delivery system



General information:

- Continental DA370 or traditional DA380 delivery system, equipped with up to 6 instruments with lights
- Possible program up to ten customized handpiece settings into the unit (two sets of programs)
- Touch screen LCD display enable easy navigation and control of all functions for both the unit and the chair also control the adjustment of handpieces and unit's parameters
- Removable sterilisable dentist tray adjustment handle cover
- Electronically controlled instrument water regulation, independent for each instrument
- Electronic cooling water amount adjustment system
- Integrated x-ray viewer on dentist panel
- Spittoon block-mounted dental chair; integrated actuation mechanisms enabling vertical chair movement, smooth backrest movement and trendelenburg
- Compact design, easy maintenance, compatible with variety of handpieces for wide range of applications
- Controlling chair motion from both dentist's and assistant's control panels or with a foot controller
- Dentist's flex-arm with electro-pneumatic
- Spittoon block features rotary removable bowl
- 5-position assistant's element + 1 instrument (intraoral camera)
- Upholstery, spittoon bowl and other components are available in a variety of colours to reflect a personal style
- Spittoon block compatible with dry suction system: Cattani or wet suction system: Durr
- Electronic light on/off and light intensity controller
- Programmable dental chair with 8 positions for 2 dentists



Exclusive Comfort

Having been designed with dentist and patient comfort in mind, the unit's design provides an extra legroom, and the special "Cradle move" function allows a dentist to position the chair exactly as desired: because we know that keeping a comfortable relaxed posture is very important for both dentist and patient.



Headrest With 3D Ball Joint

Stainless steel headrest with 3D ball joint enabling 3-axis positioning for an unparalleled comfort even during complex dental treatments.



Trendelenburg Position

Thanks to the so-called "Cradle move" the optimum ergonomics and comfortable patient's position can be reached within seconds. Diplomat Adept DA370/380 is also equipped with possibility to place dental chair in the trendelenburg position.



Wireless Foot Controllers:

Flexibility and easy control over the dental unit is crucial for your and your patients' comfort and well-being. Diplomat's wireless foot controllers will help you to work more comfortably and to organize your working place with greater flexibility. At the moment we offer two types of wireless foot controllers: NOK and UNO.



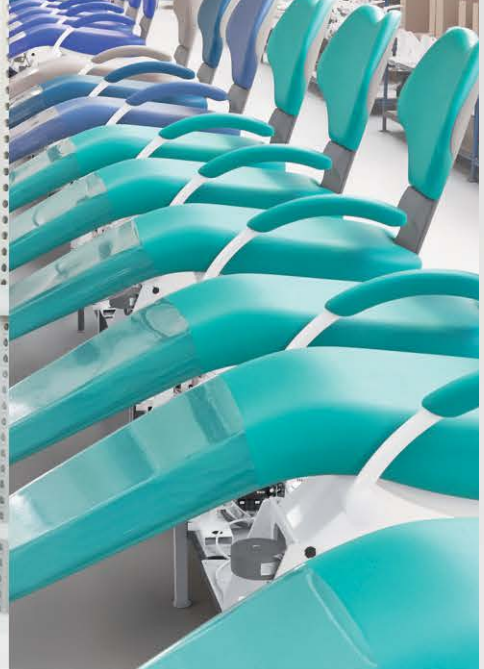
Optional Automatic Hygiene

The Automatic hygiene system is composed of two separate processes: disinfection of the suction system and hoses and decontamination of waterlines to ensure the safety, cleanliness and operational efficiency of dental units.



LCD Touch Screen

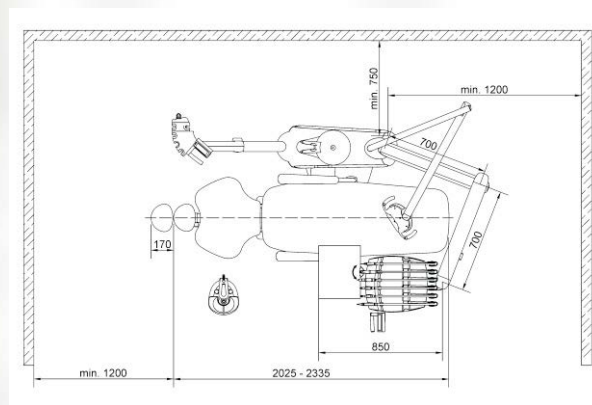
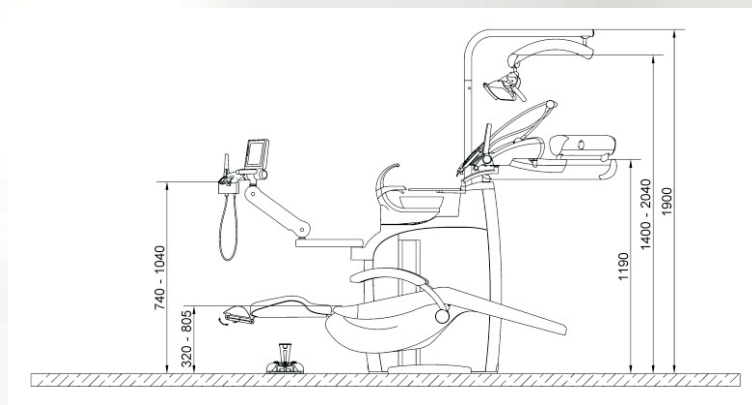
Touch screen display with intuitive menu structure allows easy navigation, control and adjustment of handpieces and unit's parameters. LCD touch screen can be installed on both dentist's and assistant's element.



DIPLOMAT DENTAL s.r.o.

DIPLOMAT DENTAL is an established European manufacturer with more than 60 years of experience in dental sector. DIPLOMAT has a solid reputation as the top manufacturer and an established business philosophy, where customer's satisfaction is viewed as a grounding principle. DIPLOMAT product portfolio includes dental units, stools, and lights. All its products excel in quality, ergonomics and versatility and will surely meet the requirements of even the most demanding dental professionals.

Dimensions of the unit DA370/DA380



William Green Pty Ltd
47- 49 Mary Parade
Rydalmere NSW 2116
Australia

Ph + 61 2 8865 0300
Fax + 61 2 8865 0351
Other Ph +1 300 363 830
www.williamgreen.info