

Electrolux Dishwashing

Rack Type WTM180

The Electrolux Dishwashing range is produced for customers with the highest conceivable demands for good efficiency, economy and ergonomics for dishwashing operation. The product range comprises glasswashers, undercounter dishwashers, hood type dishwashers, rack type dishwashers, flight type dishwashers and pot and pan washers. The rack type dishwasher range is designed to be easily connected with the equipment included in the Electrolux Handling System range, to create a functional and ergonomic dishwashing area. The rack type dishwasher WTM180 has a capacity up to 180 racks per hour with 2 speeds (variable on-site). The range consists of 6 electrically or steam heated models, available with or without Energy Saving Device (ESD).



534121

EASY TO INSTALL

- Solid 3mm square stainless steel sub-frame with bolt-together construction that can be delivered assembled or in modules to be connected on site.
- Stainless steel wash pumps ideal for heavy duty usage installations.
- Brass inlet valves as standard for extra reliability at high incoming water temperatures.
- All rear positioned water tubes in stainless steel.
- Only one cable for electrical connection.
- Electrical and water connections centralised in one area.
- Service from the front and from the side.

- Pre-arrangements for automatic detergent dispenser, energy management device and HACCP implementation (both basic as well as integrated system).

FUNCTIONAL ZONES

- Separate 45 litre pre-wash zone first soil scrapping is performed. Separate zone, at less than 35°C, without chemicals for maximum dirt removal and incorporates automatic partial drain.
- Power wash zone where all the soil is removed with maximum water contact wash arms for best possible washing result.
- Separate wash and rinse zones so detergent does not mix with the rinse aid and is always active.

- Rinse area equipped with the DUO-rinse system where the first ramp is filled by the re-used final rinse water, to eliminate any trace of detergent, and the second ramp is filled by hot fresh water to guarantee sanitation of the items.
- Atmospheric boiler combined with the rinse booster pump for perfect rinsing performances in terms of sanitation, energy saving, independence from the water pressure on the network.
- Incorporates non-return (air gap class A) valve.
- As optional extra the WTM180 can be equipped with a drying zone for fast and efficient drying.



Electrolux

**Electrolux Dishwashing
Rack Type WTM180**

EASY TO CLEAN AND MAINTAIN

- The pre-wash, wash and rinse tanks are pressed with completely rounded corners and sloping base to facilitate cleaning.
- WTM180 has smooth surfaces. 304 AISI stainless steel front and side panels, strainers and wash and rinse arms.
- Wash arms and double tank filter (flat and deep box) easy to remove.
- Height adjustable stainless steel feet.
- All models finished in top quality materials with double skinned construction to aid durability and reduce noise.
- Self-draining wash pumps provide maximum hygiene.
- Hinged flap for easy access to the energy saving condenser unit.

- Large balanced inspection doors for easy access to wash area.
- Self-cleaning cycle in pre-wash, wash and rinse zones.

EASY TO USE

- Automatic start/stop function.
- Advanced electric control panel with sound signals and visual display.
- Counter balanced door with safety switch and easy to grip handle.
- Built-in rinse water heater to increase the temperature of the final rinse water.
- Electronic control panel with autodiagnostic check control.

EASY ON THE ENVIRONMENT

- 35mm thickness foam injection insulated doors to reduce noise and reduce heat dispersion.

- Available with version equipped with Energy Saving Device (ESD) to pre-heat the incoming cold water and to save up to 12kW of energy. ESD incorporates a condenser unit to decrease temperature and humidity of the outlet hot steam.
- Separate pre-wash, wash and rinse tanks for lower water and detergent consumption. No overflow of the detergent from the wash tank to the others and no need for fresh water in order to cool down the water in pre-wash tank.
- 98% recyclable by weight.
- CFC free packaging.
- Low noise level <70dBA.
- Developed and produced in ISO 9001 and ISO 14001 certified factory.

	WTM180ERA 534120	WTM180ELA 534121	WTM180ERB 534122	WTM180ELB 534123	WTM180SRA 534128	WTM180SLA 534129
TECHNICAL DATA						
Model	Electronic - A	Electronic - A	Electronic - B	Electronic - B	Electronic - A	Electronic - A
Power supply	Electric	Electric	Electric	Electric	Steam & Electric	Steam & Electric
Feeding direction	from RH to LH	from LH to RH	from RH to LH	from LH to RH	from RH to LH	from LH to RH
Energy Saving Device incl. cond. unit	●	●			●	●
Water supply						
pressure min. , max. - bar	1.5, 7	1.5, 7	1.5, 7	1.5, 7	1.5, 7	1.5, 7
hot water inlet °C	50	50	50	50	50	50
cold water inlet °C	15	15	15	15	15	15
Capacity dishes/h 1st/2nd speed	3240, 1980	3240, 1980	3240, 1980	3240, 1980	3240, 1980	3240, 1980
Capacity baskets/h 1st/2nd speed	180, 110	180, 110	180, 110	180, 110	180, 110	180, 110
Air emission - m³/h	180	180			180	180
Insulation	●	●	●	●	●	●
External dimensions - mm						
width	2526	2526	2526	2526	2526	2526
depth	884	884	884	884	884	884
height/with open door	1771, 2119	1771, 2119	1771, 2119	1771, 2119	1771, 2119	1771, 2119
Pre-wash						
temperature - °C	<35	<35	<35	<35	<35	<35
tank capacity - lt.	45	45	45	45	45	45
pump power - kW	0.23	0.23	0.23	0.23	0.23	0.23
1st wash						
temperature - °C	55-65	55-65	55-65	55-65	55-65	55-65
tank capacity - lt.	100	100	100	100	100	100
pump power - kW	2.2	2.2	2.2	2.2	2.2	2.2
Duo rinse						
temperature - °C	60-70	60-70	60-70	60-70	60-70	60-70
tank capacity - lt.	23	23	23	23	23	23
pump power - kW	0.35	0.35	0.35	0.35	0.35	0.35
Rinsing						
temperature - °C	84	84	84	84	84	84
boiler capacity - lt.	12	12	12	12	12	12
boiler power - kW	16.5	16.5	16.5	16.5	16.5	16.5
water flow - liters/hr	300	300	300	300	300	300
Steam supply						
relative dynamic pressure bar - min/max					1.5, 3	1.5, 3
Steam consumption peak - Kg/h					92	92
Total installed power - kW	32.2	32.2	32.2	32.2	6.6	6.6
Net weight - kg.	570	570	528	528	570	570
ACCESSORIES						
12 S/S PLUGS FOR WASH ARMS-MODUL/COMP.RT	864239	864239	864239	864239	864239	864239
BASKET FOR 5 HALF INSULATED TRAYS-RED	867005	867005	867005	867005	867005	867005
BASKET FOR 7 TRAYS 530X370MM-RED	867004	867004	867004	867004	867004	867004
DRAIN KIT FOR MODULAR+COMPACT RACK TYPE	864150	864150	864150	864150	864150	864150
EL. DRY. TUNNEL-CORNER-RIGHT-MODULAR RT	864512		864512			
EL. DRYING TUNNEL-CORNER-LEFT-MODULAR RT		864513		864513		
EL. DRYING TUNNEL-EL.MODULAR RT-L>R-600		864511		864511		
EL. DRYING TUNNEL-EL.MODULAR RT-L>R-900		864501		864501		
EL. DRYING TUNNEL-EL.MODULAR RT-R>L-600	864510		864510			
EL. DRYING TUNNEL-EL.MODULAR RT-R>L-900	864500		864500			
KIT 6 BASKETS FOR 1-TANK RACK TYPE DW	867050	867050	867050	867050	867050	867050
KIT 9 BASKETS FOR 1-TANK RACK TYPE DW	867051	867051	867051	867051	867051	867051
KIT SILASTIC CURTAINS FOR RACK TYPE DW	864245	864245	864245	864245	864245	864245
STEAM DRYING TUNNEL-MODULAR RT-L>R-900						864515
STEAM DRYING TUNNEL-MODULAR RT-R>L-900					864514	

Internet: <http://www.electrolux.com/foodservice>

www.TotalCommercialEquipment.com.au 08 8363 5282

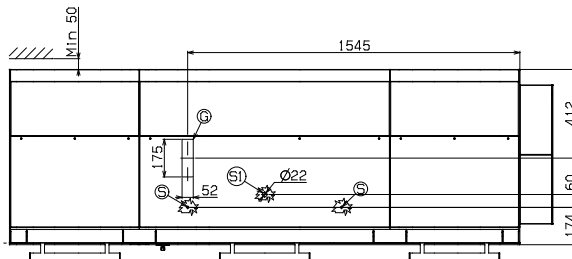
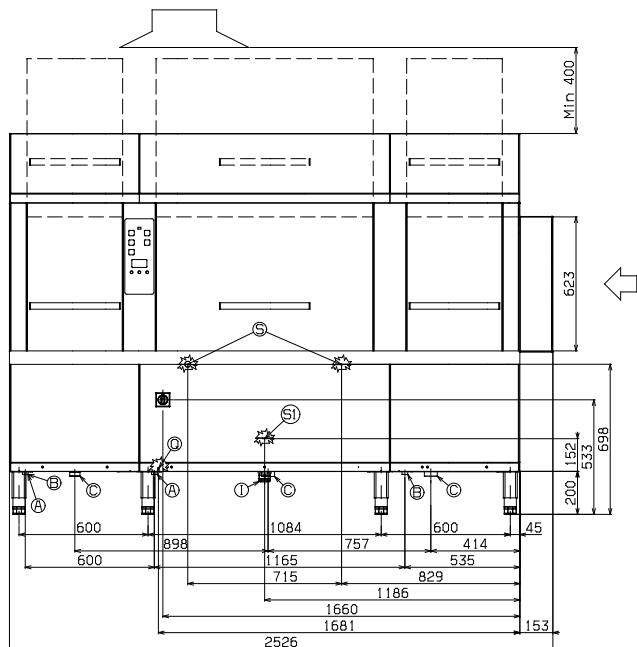
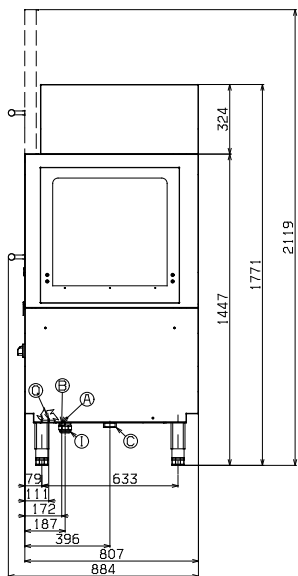
IEBC010

2008-07-25

Subject to change without notice

Electrolux Dishwashing
Rack Type WTM180

534120, 534122



5956 581 00

IEBC010

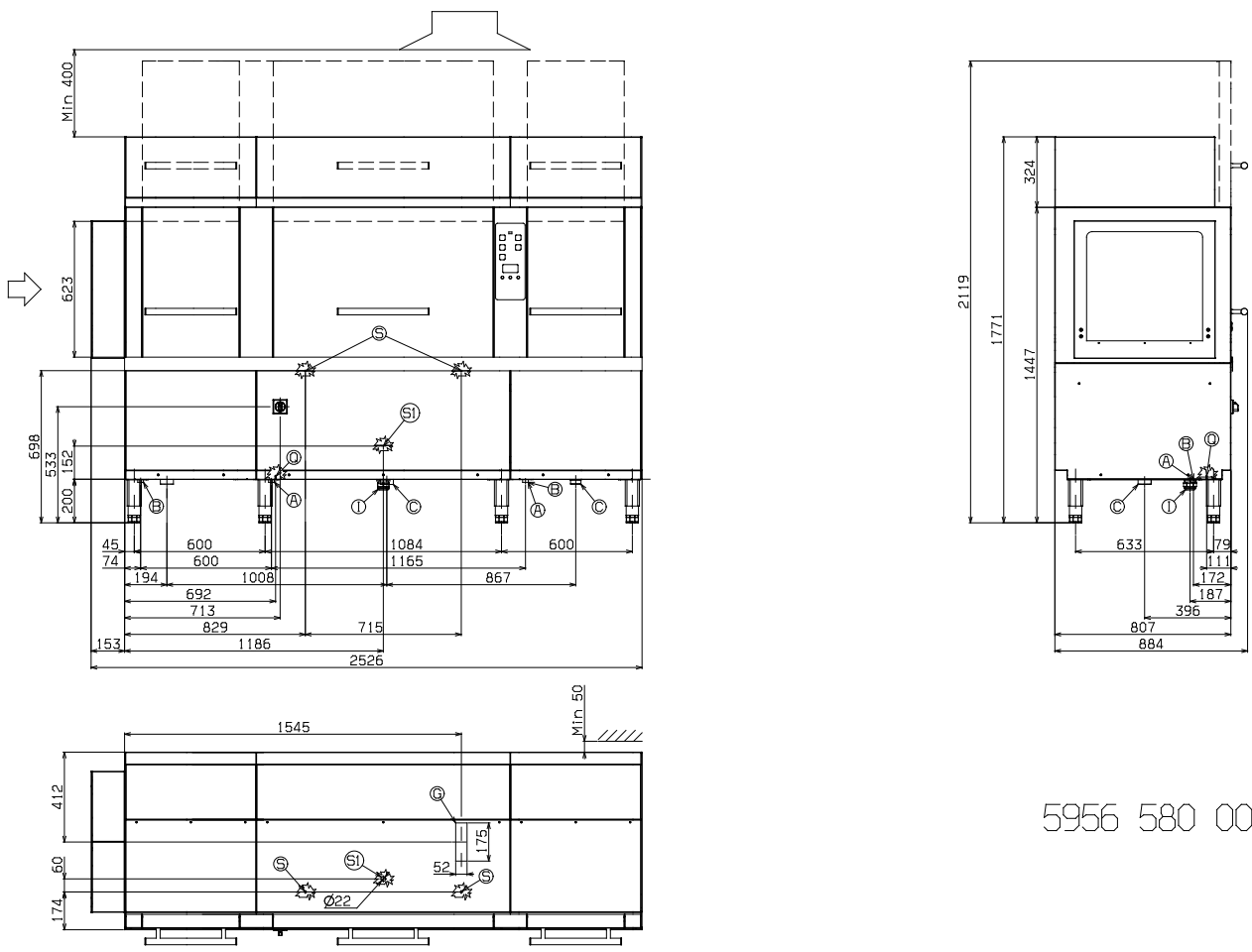
2008-07-25

LEGEND	WTM180ERA 534120	WTM180ERB 534122
	A - Hot water inlet	G 3/4"
B - Cold water inlet	G 3/4"	G 3/4"
C - Water drain	G 1 1/2"	G 1 1/2"
G - Condensation outlet	●	●
I - Electrical connection	400 V, 3N, 50	400 V, 3N, 50
Q - Equipotential screw	●	●
S - Connection for detergent dispenser	●	●
S1 - Connection for detergent probe	●	●

Subject to change without notice

**Electrolux Dishwashing
Rack Type WTM180**

534121, 534123



5956 580 00

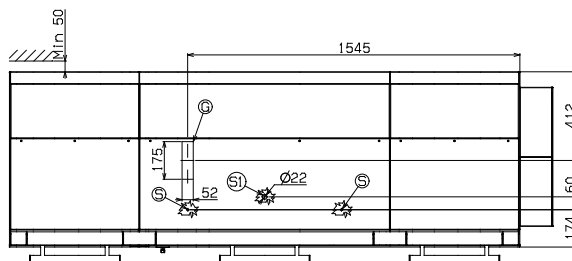
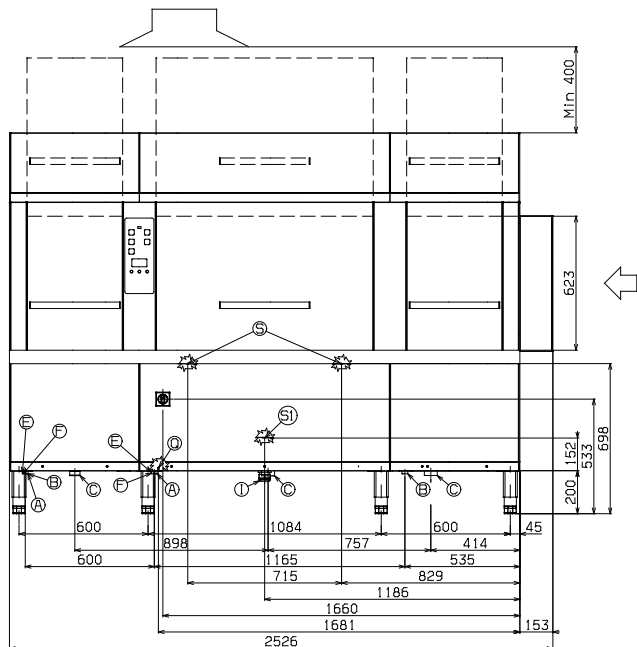
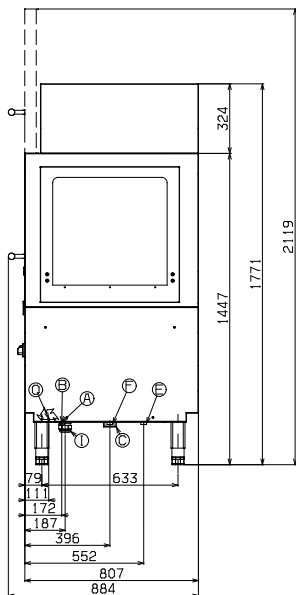
IEBC010

2008-07-25

LEGEND	WTM180ELA 534121	WTM180ELB 534123
	A - Hot water inlet	G 3/4"
B - Cold water inlet	G 3/4"	G 3/4"
C - Water drain	G 1 1/2"	1"1/2"
G - Condensation outlet	●	●
I - Electrical connection	400 V, 3N, 50	400 V, 3N, 50
Q - Equipotential screw	●	●
S - Connection for detergent dispenser	●	●
S1 - Connection for detergent probe	●	●

**Electrolux Dishwashing
Rack Type WTM180**

534128



5956 635 00

IEBC010

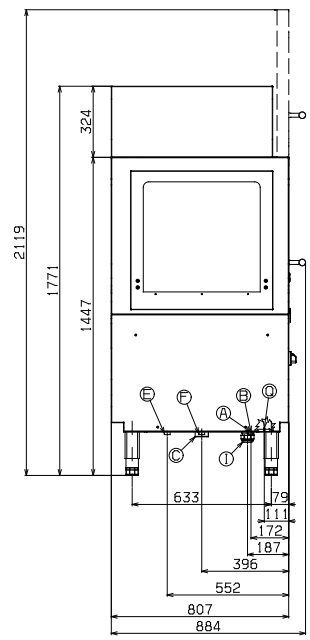
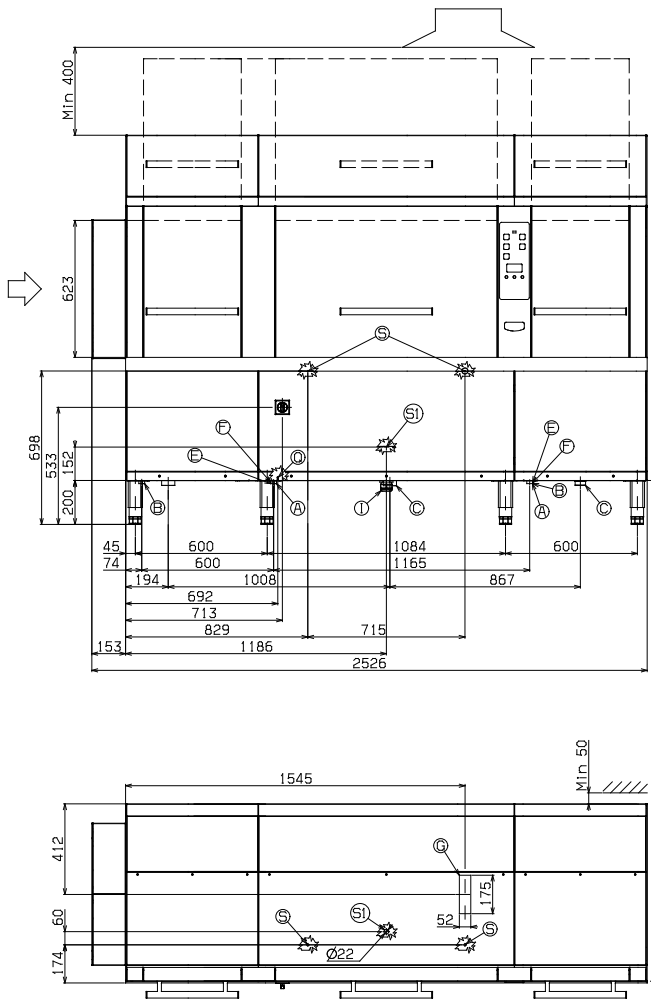
2008-07-25

WTM180SRA 534128	
LEGEND	
A - Hot water inlet	G 3/4"
B - Cold water inlet	G 3/4"
C - Water drain	G 1 1/2"
E - Steam condenser	ISO-G 3/4" F
F - Steam inlet	ISO-G 3/4" F
G - Condensation outlet	●
I - Electrical connection	400 V, 3N, 50
Q - Equipotential screw	●
S - Connection for detergent dispenser	●
S1 - Connection for detergent probe	●

Subject to change without notice

**Electrolux Dishwashing
Rack Type WTM180**

534129



5956 634 00

IEBC010

2008-07-25

Subject to change without notice

LEGEND		WTM180SLA 534129
A - Hot water inlet		G 3/4"
B - Cold water inlet		G 3/4"
C - Water drain		G 1 1/2"
E - Steam condenser		ISO-G 3/4" F
F - Steam inlet		ISO-G 3/4" F
G - Condensation outlet		●
I - Electrical connection		400 V, 3N, 50
Q - Equipotential screw		●
S - Connection for detergent dispenser		●
S1 - Connection for detergent probe		●