

MALMET

UTENSIL/BOWL WASHER DISINFECTOR (TOP LOADING)

Malmet's WDT Series Utensil/Bowl Washer Disinfector are purpose-built and engineered to last a lifetime. It is user-friendly and simple to operate, with a single button operation. Ergonomically designed, instruments and bowls are easy to reach even with its large capacity tank.

- Top loading, heavy duty, purpose built utensil washer
- User-friendly single button start
- Door interlock safety mechanism
- Large capacity
- Used for kidney dishes, sputum bowls, tooth mugs, etc
- Disinfection to higher A₀600 level, as recommended by AS4187:2014
- Compliant to relevant electrical safety, Watermark standards
- ARTG Certification 232013 to industry-highest Class IIb level

UNIT DIMENSIONS:	655mm (W) x 850mm (D) x 1030mm (H) (Dimensions are with lid closed)		
VOLTAGE:	240V, 18 Amp		
PHASE:	Single		
HERTZ:	50		
SHIPPING WEIGHT:	140 kg		
CAPACITY:	6 large washbasins or a varied load of smaller items. E.g: kidney dishes, sputum bowls, tooth mugs, etc (Special instrument baskets are an optional extra)		
DETERGENT BOTTLE CAPACITY:	5 Litre (Malmet Product Code 81-9071SP) Detergent ARTG Certification 190013		
DETERGENT DISPENSED PER APPLICATION:	65 ml per cycle		
DETERGENT SPECIFICATIONS / GRADE:	Poisons Schedule: 6 Dangerous Goods Class: 8 Hazchem Code: 2R		
DISINFECTATION SETTING:	80°C x 10 min	90°C x 1 min	75°C x 30 min
AVERAGE CYCLE TIME:	41.30 minutes	42.48 minutes	58.36 minutes
POWER CONSUMPTION:	1.48 kW/hr	1.725 kW/hr	1.508 kW/hr
WATER CONSUMPTION:	34 litres (cold water) 50 litres (hot water)		
ACCESSORIES:	Instrument Basket (Product Code 81-5116)		

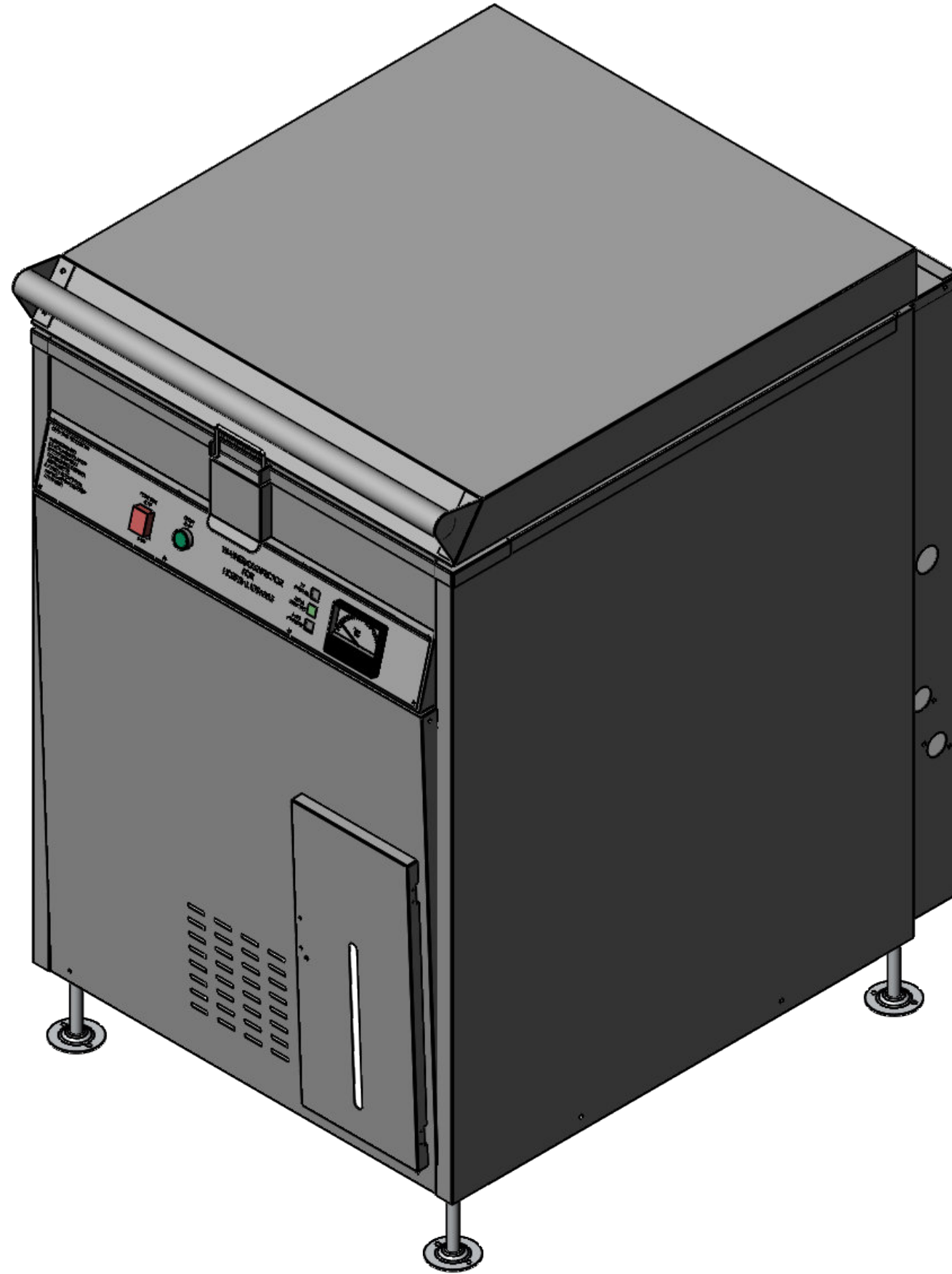


MODEL: WDT2.1



AVAILABLE MODELS


Product Code	Model No	Description
8-A00-81-021	WDT2.1	MALMET UTENSIL/BOWL WASHER DISINFECTOR (1 PHASE, 18 AMP)

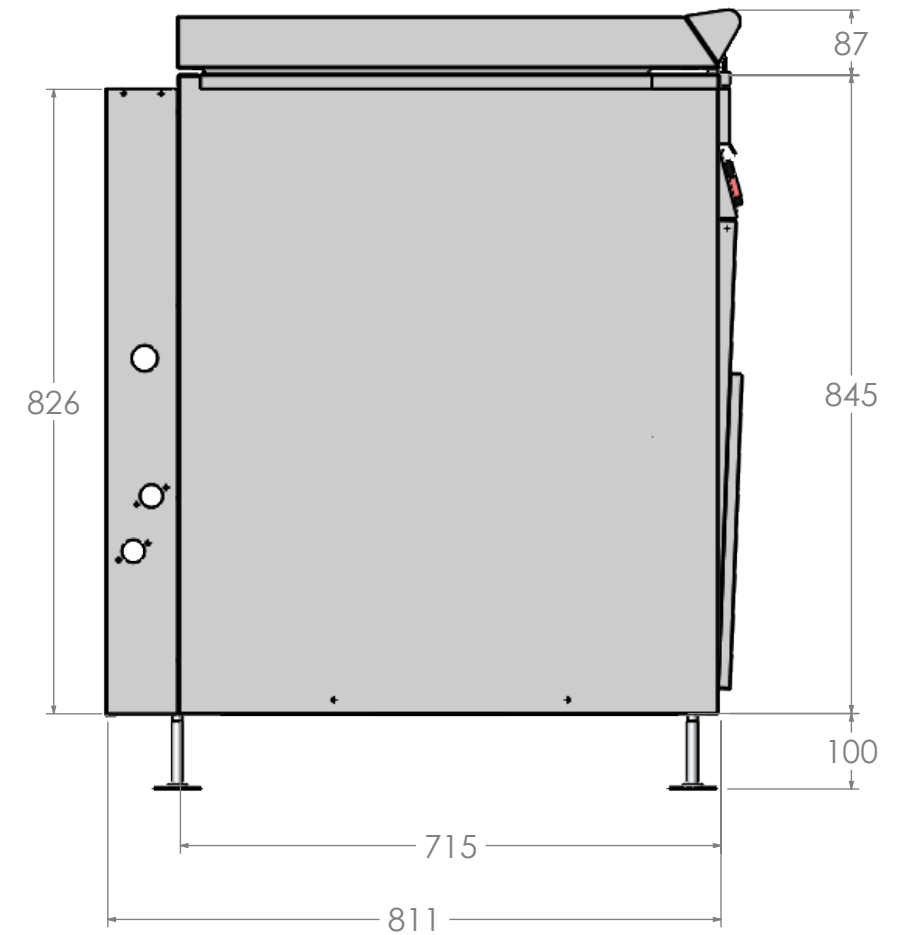
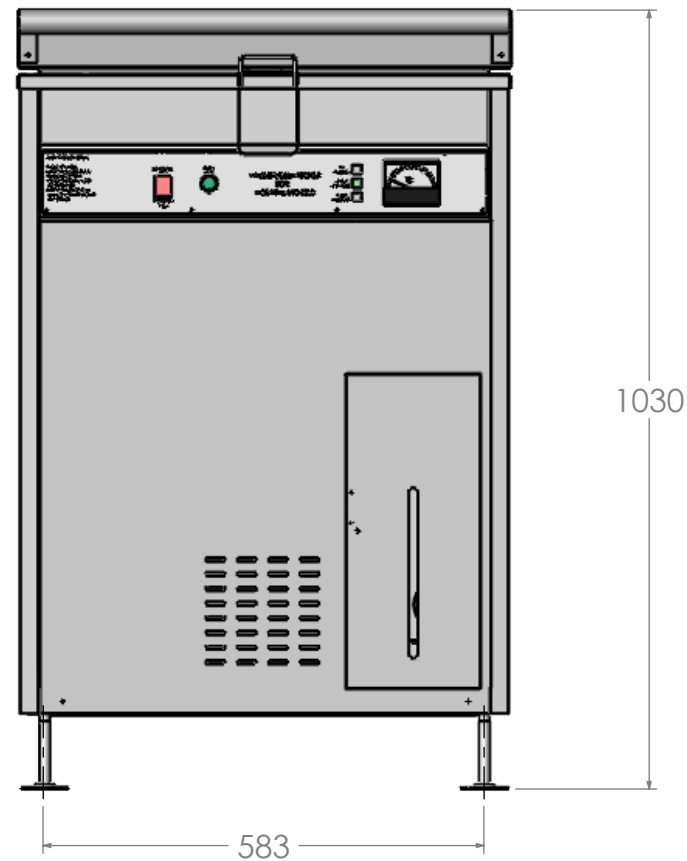
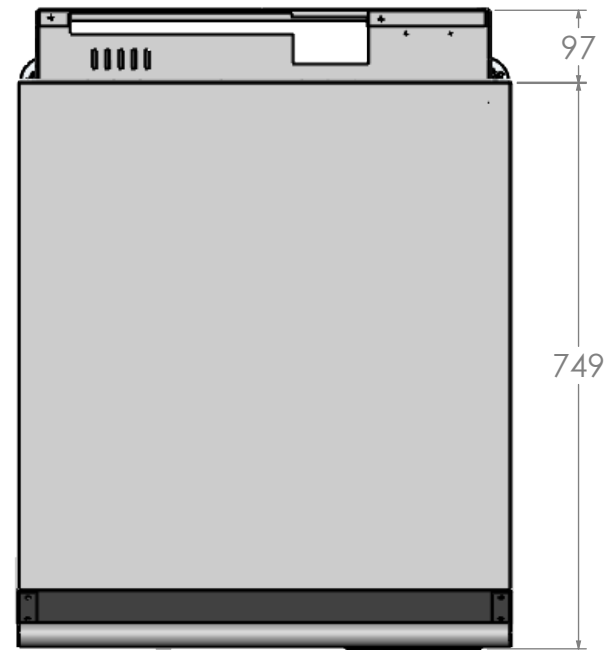


NOTES: -

1. PART TO BE FREE FROM BURRS AND SHARP EDGES
2. PART TO BE FREE FROM ANY MACHINING OIL & LUBRICANT
3. VENDOR PROPOSED CHANGES TO BE APPROVED BY MALMET AUSTRALIA BEFORE IMPLEMENTATION
4. FINAL OTS TO BE APPROVED BY MALMET BEFORE COMMENCING PRODUCTION
5. TYPICAL DRAFT ANGLE 2 DEGREES UNLESS OTHERWISE STATED

H
G
F
E
D
C
BX
A X
Dist

						MALMET		WDT2.1 WASHER					
		TOLERANCE UNLESS NOTED		THIRD ANGLE PROJECTION		MATL.		FINISH		Date 4-4-2017			
		DIMENSIONS ± 0.25		DIMENSIONS IN MILLIMETRES		AS NOTED		AS NOTED		Scale 1:3		DRN AS	
		ANGLES ± 0.25°		DO NOT SCALE						CKD		APP	
01	4-4-2017	Preliminary Release		AS	AS	AS							
ISSUE	DATE	CHANGE		E.C.N	DRN	CKD	APP					ISSUE	01



NOTES: -

1. PART TO BE FREE FROM BURRS AND SHARP EDGES
2. PART TO BE FREE FROM ANY MACHINING OIL & LUBRICANT
3. VENDOR PROPOSED CHANGES TO BE APPROVED BY MALMET AUSTRALIA BEFORE IMPLEMENTATION
4. FINAL OTS TO BE APPROVED BY MALMET BEFORE COMMENCING PRODUCTION
5. TYPICAL DRAFT ANGLE 2 DEGREES UNLESS OTHERWISE STATED

										MALMET		WDT2.1 WASHER										
										TOLERANCE UNLESS NOTED		THIRD ANGLE PROJECTION		MATL.		FINISH		Date 4-4-2017				
										DIMENSIONS ± 0.25		DIMENSIONS IN MILLIMETRES		AS NOTED		AS NOTED		Scale 1:10				
										ANGLES ± 0.25°		DO NOT SCALE						DRN AS				
																		APP				
01	4-4-2014	Preliminary Release				AS	AS	AS												ISSUE	01	A3
ISSUE	DATE	CHANGE			E.C.N	DRN	CKD	APP	THIS DRAWING IS COPYRIGHT. COPYING IN WHOLE OR IN PART IN TWO OR THREE DIMENSIONS IS EXPRESSLY FORBIDDEN EXCEPT WITH PRIOR WRITTEN PERMISSION.													