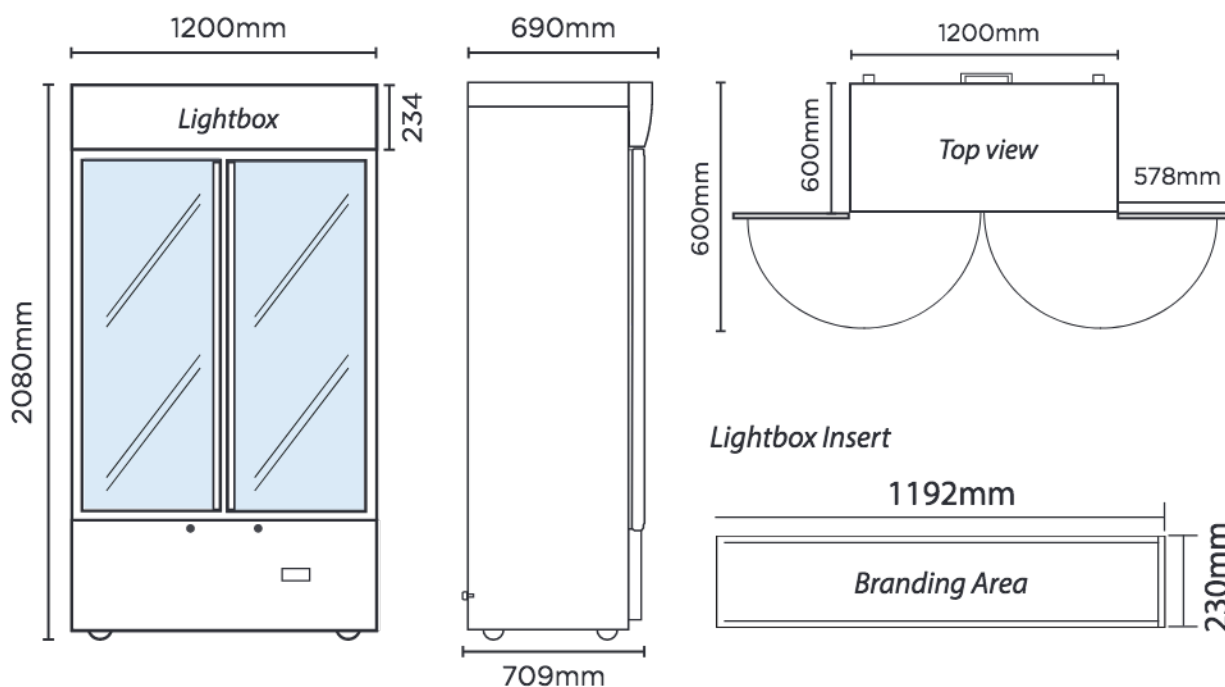


GM1000LWCAS | Casette Flat Glass Door LED Display Chiller

Vertical Displays & Storage



SPECIFICATIONS

| | | | |
|------------------------|----------------------|------------------------------------|-------------------------|
| Part Number | 3736250 | Door Swing Dimension | 660mm |
| Capacity | 960L | Total Depth of door open | 1220mm |
| Temperature Range | +2 to +5°C | Door Shape | Flat |
| Max. Ambient Temp. | 38°C | Self-Closing Door | Yes |
| Refrigeration Capacity | 520W | Door Lock | Yes |
| Energy Consumption | 5.0kWh/24h | No. of Doors | 2 |
| Current | 2.3A | Temp. Controller | Digital |
| Gross Weight | 188kg | Castors | Yes |
| Packaged Dimensions | 1270 x 755 x 2112 mm | No. of Shelves Incl. Base Per Door | 6 |
| Air-Circulation | Fan Forced | Shelves Dimensions | 527(w) x 478(d) mm |
| Drainage Points | No Drainage Required | Colour | White |
| Refrigerant | R290 | Warranty | 2 Years, Parts & Labour |
| Plug Supplied | Yes, 1 x 10A | Warranty Service | Bromic Extra Care |
| Plug Location | Bottom Left | | |
| Display Light Box | Yes | | |
| Internal Light | LED | | |
| Door Type | Glass | | |

DIMENSIONS

| External (mm) | |
|---------------|------|
| Width | 1200 |
| Depth | 690 |
| Height | 2080 |
| Internal (mm) | |
| Width | 1090 |
| Depth | 545 |
| Height | 1465 |

BROMIC PTY Ltd reserve the right to alter specifications without notice.

GM1000LWCAS | Casette Flat Glass Door LED Display Chiller

Vertical Displays & Storage

