



Features

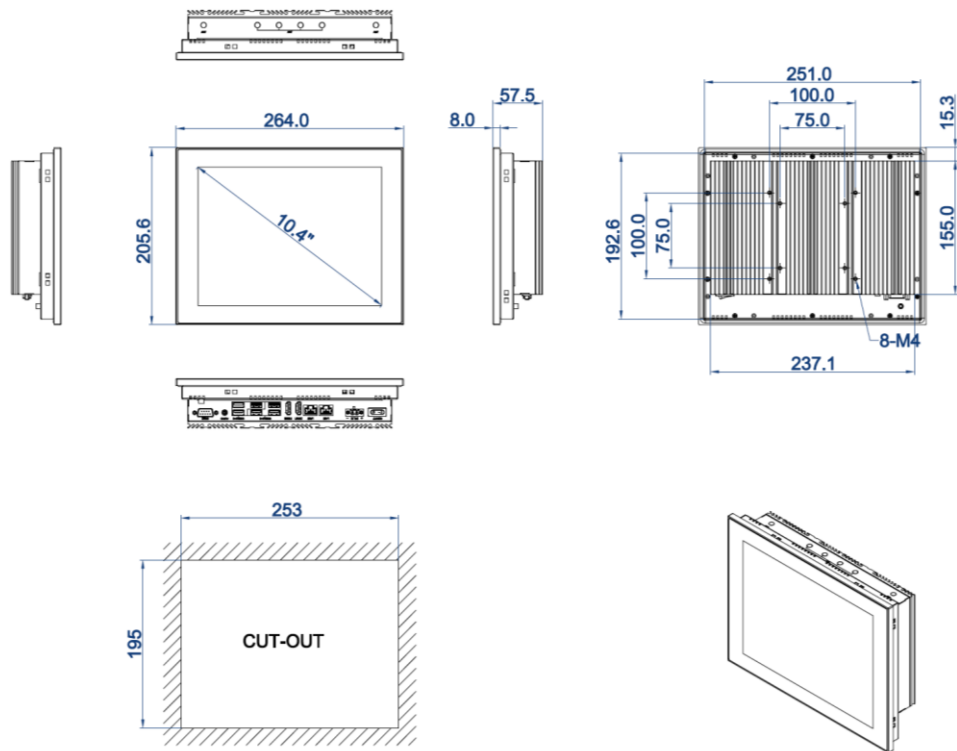
- 10.4" TFT LCD display, LED Backlit, XGA 1024 *768;
- Intel Elkhart Lake Celeron J6412 processor, Quad-core 2.0Ghz;
- 1* DDR4 memory, up to 32GB, 1* M.2 NVME 2280 storage;
- Multi-point projected capacitive touch, or 5-wire resistive touch;
- Aluminum-magnesium alloy, anodized treatment, Modular designed;
- DC 12V power input, optional wide DC 9~36V input range;
- IO: 2*GLAN, 3*USB3.0, 3*USB2.0, 1*COM (DB9), 2*HDMI, Audio;
- Intel PTT TPM2.0, support Windows 11;
- Fan-less & Slim design, Panel mount, VESA, Front IP65 protection.



Specification

Hardware & System	BIOS	SPI AMI EEI BIOS
	CPU	Intel Elkhart Lake Celeron J6412, Quad-core 2.0Ghz, burst to 2.6Ghz, TDP 10W
	Memory	SO-DIMM, Support DDR4 2666/2933/3200 MHz, Max. up to 32GB
	Storage	1* M.2 2280 (NVMe PCIe 2.0)
	Graphic	Intel UHD Graphics for 10 th Gen Intel processors
	Network	2* Intel I225 GBE LAN chip (Optional wireless 3G/4G, Wi-Fi/BT, 4G/5G)
	Audio	On-board Realtek ACL 897 audio controller
	Expansion	1* M.2 Key-B slot, 1* Mini-PCIe slot
	Watch dog	0~256 seconds programmable
	OS	Win10, Win11, Linux, Ubuntu
IO interface	COM	1*RS232 (Optional RS485)
	Ethernet	2* RJ45, 10/100/1000 Mbps
	Audio	Mic-in/Line-out (2 in 1, 4.0mm jack)
	USB	3x USB3.0, 3x USB2.0
	Display	2x HDMI
	Power	1x 2 pins, phenix terminal
LCD Display	Size/Type	10.4" TFT LCD
	Resolution	1024 * 768 (XGA)
	Brightness	350 nits
	Backlit & MTBF	LED backlit & 30 000hours
	Display area	211.2 * 158.4
	View angle	75/75/75/75
Touchscreen	Type	Projective capacitive touchscreen / Wide temp. 5-wires Resistive touchscreen, EETI controller
	Touch points	Multi points touch, max. up to 10 points (Pcap) / Single touch (Resistive)
	Durability	>100 000 000 times (PCap) / 35 milion clicks@ 250g (Resistive)
	Surface hardness	Glass, Mohs 6H hardness (PCap) / PET film laminated, flat design (Resistive)
	Special treatment	Anti-fingerprint (PCap)
Structure	Structure and surface	Magnesium-Aluminum alloy, sand blasting, anodized treatment
	Mount method	Panel mount, VESA 75/100
	Cooling system	Large area finned heat sink
	Overall dimension	264 * 205.6 * 57.5 (mm)
	Cut-out dimension	253 * 195 (mm)
	Net weight	3.1 KG
	IP protection	Front Panel IP65
Power & Environmental	Operating temp.	-20 ~ +70°C
	Storage temp.	-30 ~ +80°C
	Relative Humidity	10 ~ 95% @ 10C (Non-condensation)
	Vibration	50 ~ 500 Hz, 1.5G, 0.15mm peak to peak
	Shock	10G/Peak (11 ms)
	Power input	DC 12V (Optional DC 9~36V)
	Power consumption	Around 30W
	EMC	CE/FCC Class A

Dimensions (mm)



Ordering info.

Part no.	Description
PPC-DS104-E1-CT	10.4", 1024 * 768, Celeron J6412, Quad-core 2.0Ghz, Pcap. touch, 2*GLAN, 3*USB3.0, 3*USB2.0, 1*COM, 2*HDMI, DC 12V, PSU
PPC-DS104-E1-RT	10.4", 1024 * 768, Celeron J6412, Quad-core 2.0Ghz, Resistive touch, 2*GLAN, 3*USB3.0, 3*USB2.0, 1*COM, 2*HDMI, DC 12V, PSU
-4G / -8G / -16G / -32G	SO-DIMM, DDR4, 4GB/8G/16G/32G Memory
-128GS / -256GS / -512GS	M.2 SSD: 128GB/256GB/512GB
TBOX-WIFI	Wi-Fi module, with Antenna
TBOX-WIBlu	Wi-Fi with BT integrated module, with Antenna
EM06-E-PCKit	All network 4G/LTE module, With Antenna
	5G module, with Antenna
TBOX-9-36V	Optional 9-36V DC wide voltage input module with mains adaptor included
TBOX-SIMSLOT	Sim card slot for 3G/4G/5G wireless expansion, accepts full size (2FF) SIM cards

Packing List

■ 1x Standard Product
■ 1x 60W PSU (Power Supply)
■ 1x Power cable & Plug
■ 8x Panel mount metal clips

