

Rotating Arm Wrapper

The RA300 automatic wrapping machine with rotating arm design, guarantees total packaging flexibility.

The RA300 is designed to deliver total packaging flexibility.

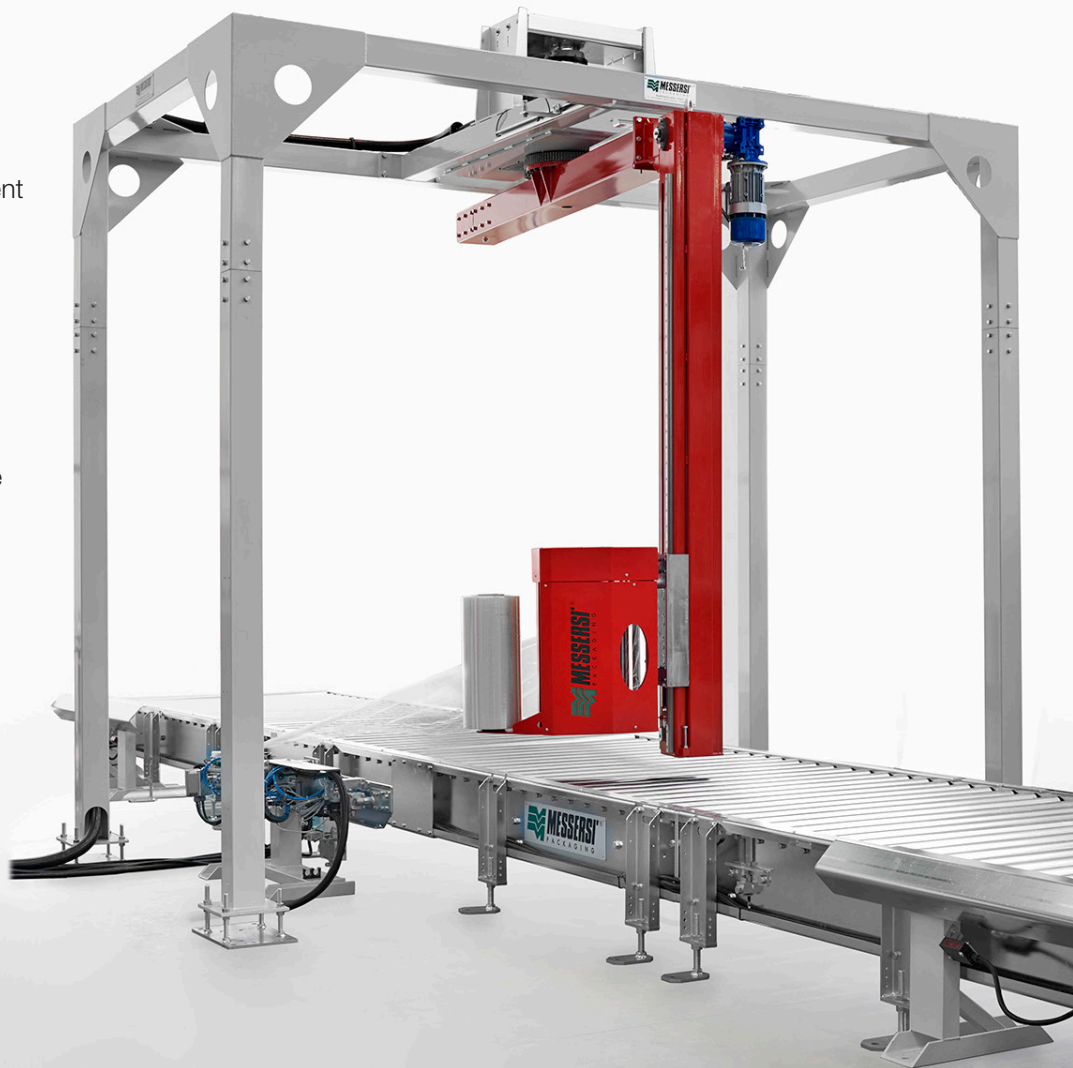
Ideal for rolls and packages of different shapes and sizes is equipped with a gripper unit, cutting and welding of the wrapping material in extendable polyethylene.

The speed of ascent and descent of the reel carriage, the rotation of the arm, the accelerations and decelerations are all managed by the inverter.

The quality of the components, the easy maintenance and high reliability performance, make the RA300 a machine suitable for many areas of industry and crafts.

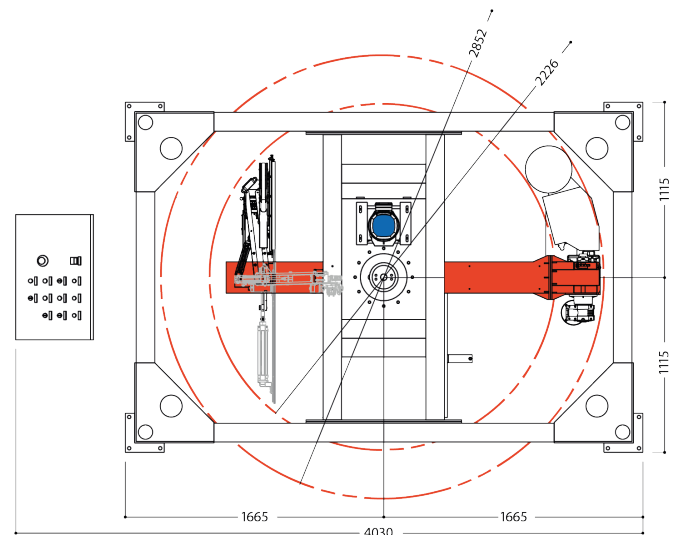
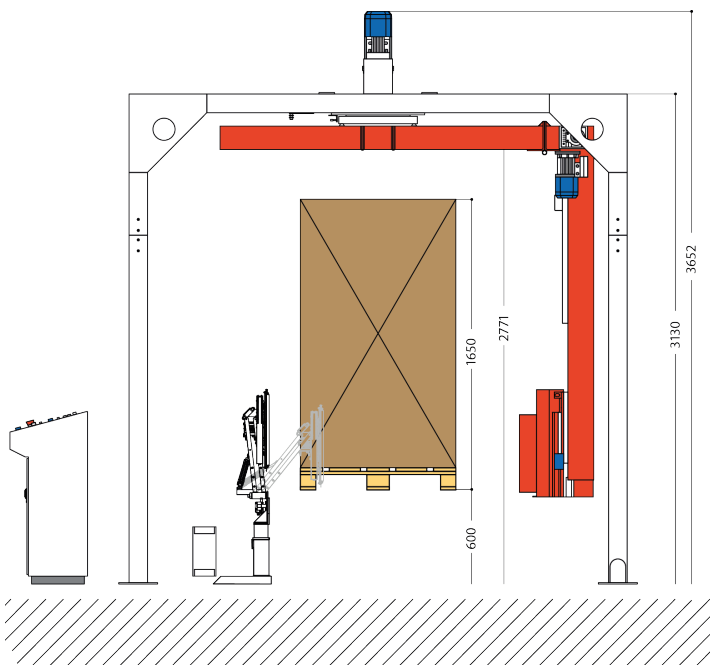
Benefits:

- Packaging flexibility
- Rotating arm max 30rpm
- Max production rate 85 pallet/hr*
- IP54 ingress protection
- Inverter managed rotation
- Polyethylene gripper



Watch the wrapper in action.

Standard transport line height	500mm
Maximum arm rotation speed	30rpm
Total installed power	4Kw
Standard power voltage	V400+N+T-50/60Hz
Electric and motor plant protection	IP54
Operating pressure	6 bar
Max pallet size	Width 1100 x Length 1300 mm
Min pallet size	Width 600 x Length 800 mm
Standard height	2100mm
Mechanical pre-stretch	150 - 300%
Usable stretch-film	12 - 30 micron (<i>micro-perforated film also usable</i>)
Reel height	500mm
Reel weight	25kg
Max production rate	75 pallet/hr (<i>1500mm pallet height - 12 wrappings</i>) (<i>Wrapping rate calculated using standard AUS pallet 1165 x 1165mm using standard 500mm roll width</i>)
Options	Upper top sheet device Vertical corner protection device Vertical cardboard applicator Motor driven pre-stretch Pre-setting for using film rope



Robotic Automation p/l

14/4 Avenue of Americas
Newington, NSW 2127
Australia

Tel. 1300 552 333
sales@ragroup.com.au
www.ragroup.com.au

All drawing dimensions in mm. Technical data may be subject to change without previous notice.
Please request detailed drawings at webenquiry@ragroup.com.au