

WWW.MIDMED.COM.AU



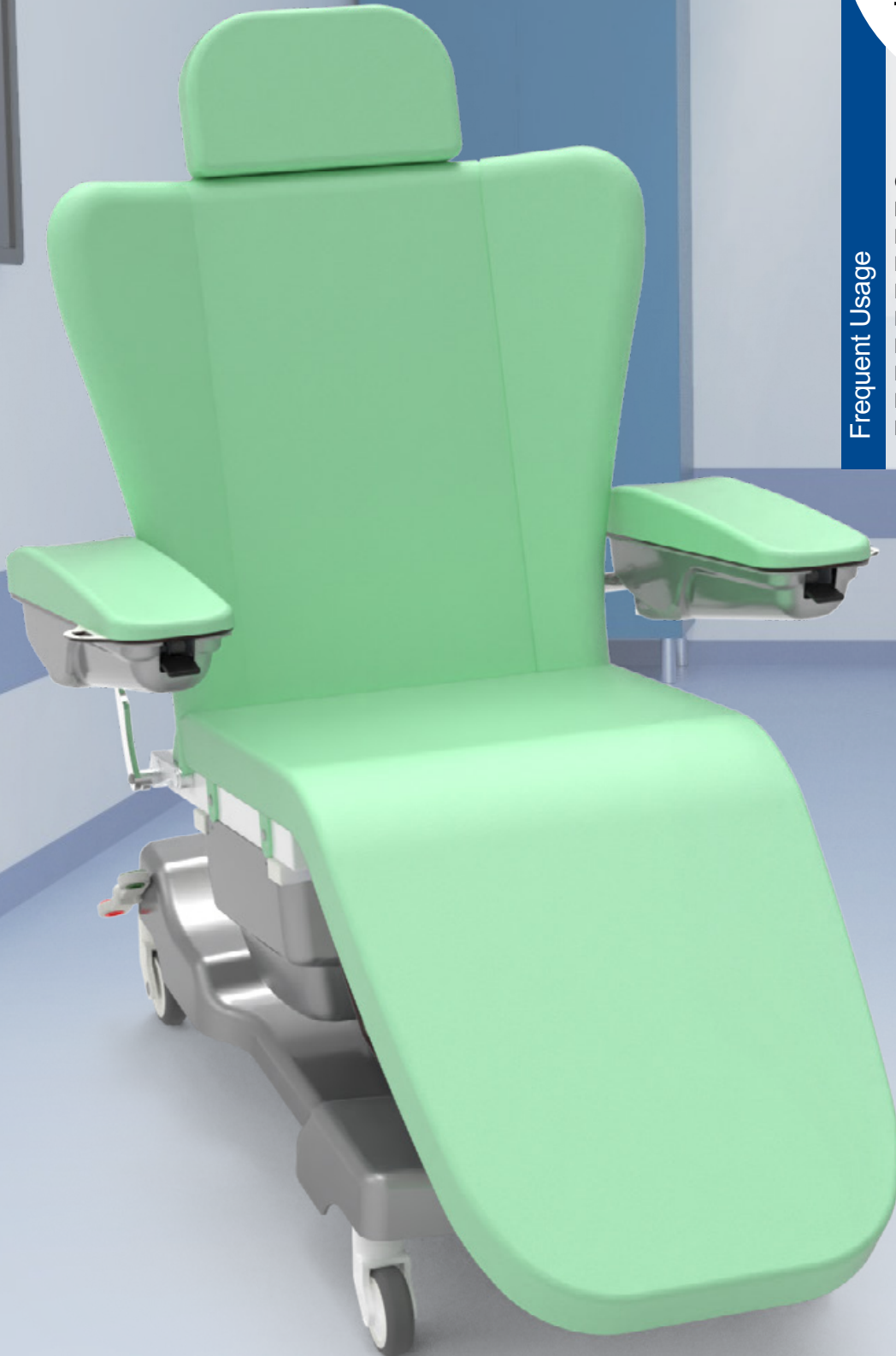
STEPHEN THERAPY CHAIR

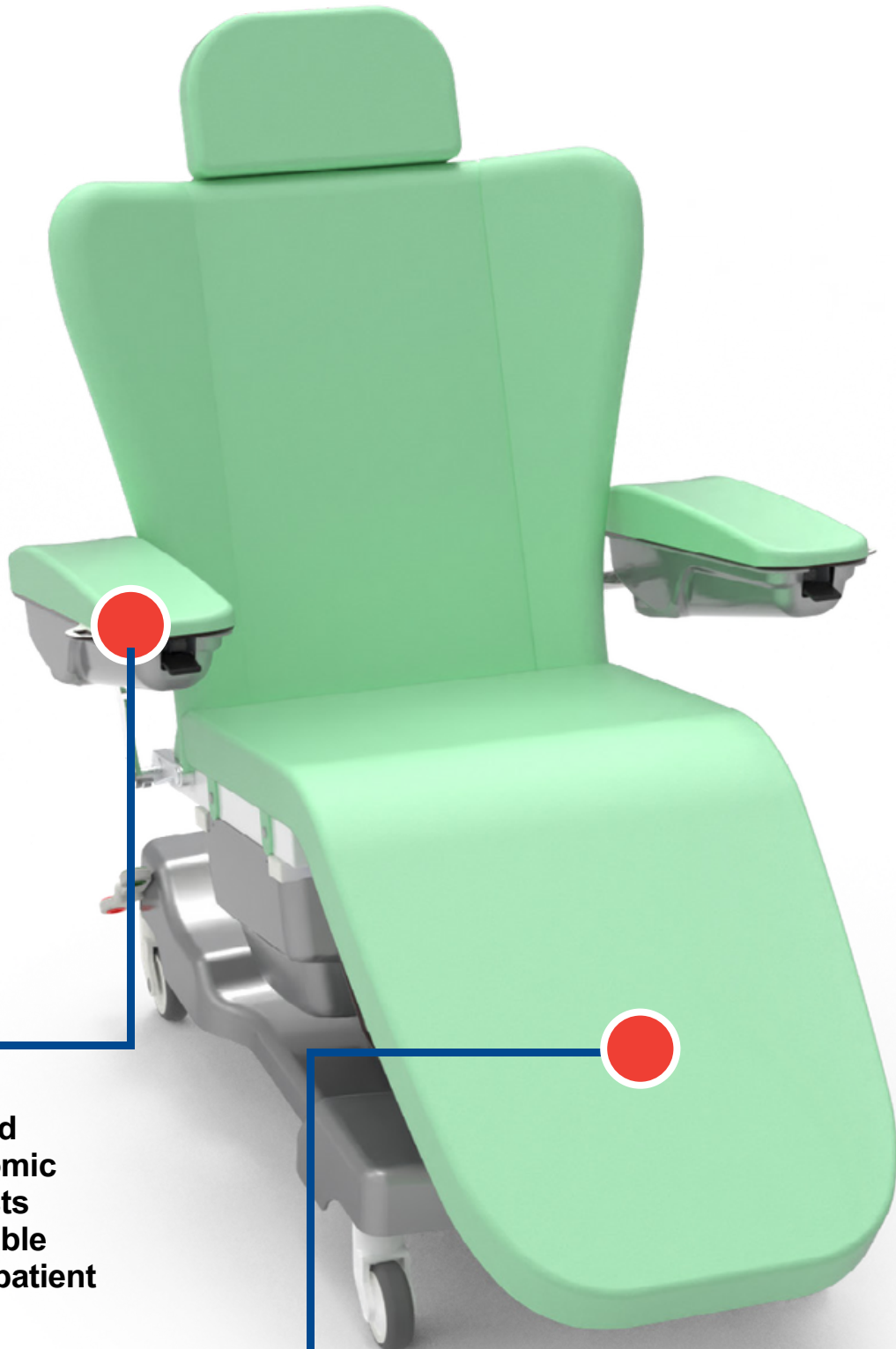


SEATING

Frequent Usage

- Chemotherapy
- Infusions Therapy
- Day Hospital
- Blood Donor
- Blood Samples
- Emergency
- Dialysis
- Patient Transport
- Dermatology / Cosmetics
- Multifunctional





Servo-assisted Ergonomic Armrests adjustable by the patient

Single cushion seat / legs

**Servo-assisted
Ergonomic Armrests
adjustable by the
patient**



Tilting



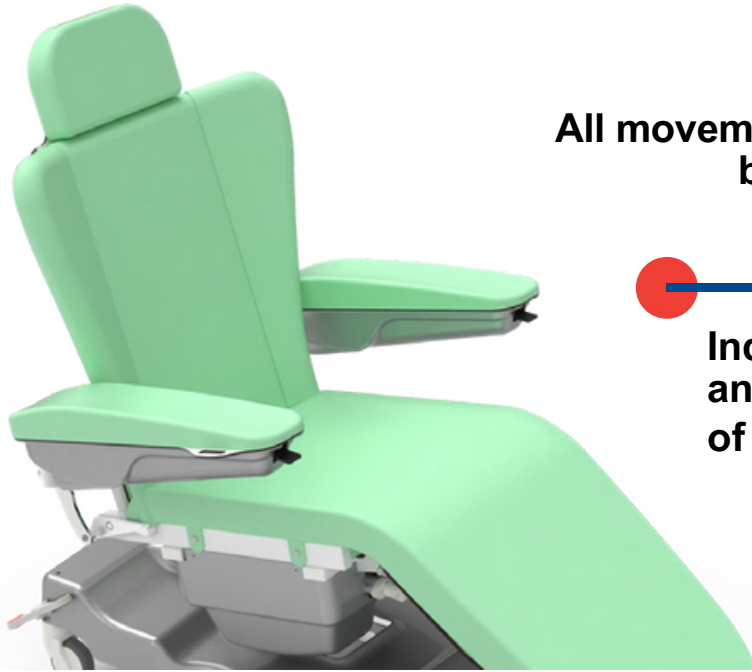
Inclination



Rotation

Movements

All movements are controlled via dedicated buttons on the push-button panel

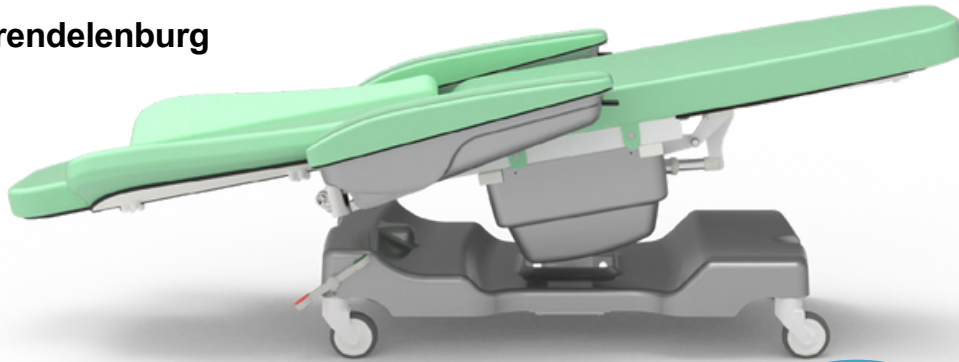


Independent movements and/or simultaneous of the back and leg sections

Push-button panel




Trendelenburg



Push-button panel




Another example of movement: Recliner



Characteristics of the medical device

- Painted steel frame in thermosetting powder
- Lying surface divided in 4 sections (headrest,backrest,seat and leg)
- Independent movements and/or simultaneous of the back and leg sections - equipment code AC12
- Trendelenburg position
- Headrest join to the backrest
- Servo-assisted Ergonomic Armrests adjustable by the patient: Tilting, rotation, inclination
- 4 Wheels 100mm antistatic, sturdy, stainless and swivable.
- Simultaneous brake on near wheels in chromed steel - Equipment code AC7P1G
- Chairs movements are controlled by handset with a 3.5 m coiled cable. The handset is user friendly and has visual pictograms useful for partially sighted people. Handset is equipped by 10 buttons with 2 memories.
- For patients safety purpose the handset is provided with an inhibition key - Equipment code AC34P. Insulation IP66
- Bilateral handset support - Equipment code AC25P
- ABS Base cover - Equipment code AC83
- ABS seat cover - Equipment code AC84
- Easily removable soft foam independent cushions. Upholstery in flame retardant leatherette UNI 9175FA-1/94 class 1IM - Equipment code AC87/1

Technical Sheet

GMDN Code	38447
UDI-DI di Base	805771740POLPE
ID Code	GB0416.SP
Intended Use	Multifunctional Chair
Manufacturer	GARDHEN BILANCE SRL
Overall Weight	70 kg
Types of Control	Push-Button Panel
Wheels	4 swivelling and stainless 100 mm with braking system
Power	Multivoltage 100-240 Vac 50/60 Hz
Electric Motors	Low Voltage (24 V)
Assorbimento Max	4A
Insulation	IP44
Max Load	200 kg
Safety Working Load	235 kg
Conformity	Regulation UE 2017/745

Main Cord



**Type I
Australia**

Technical Sheet

