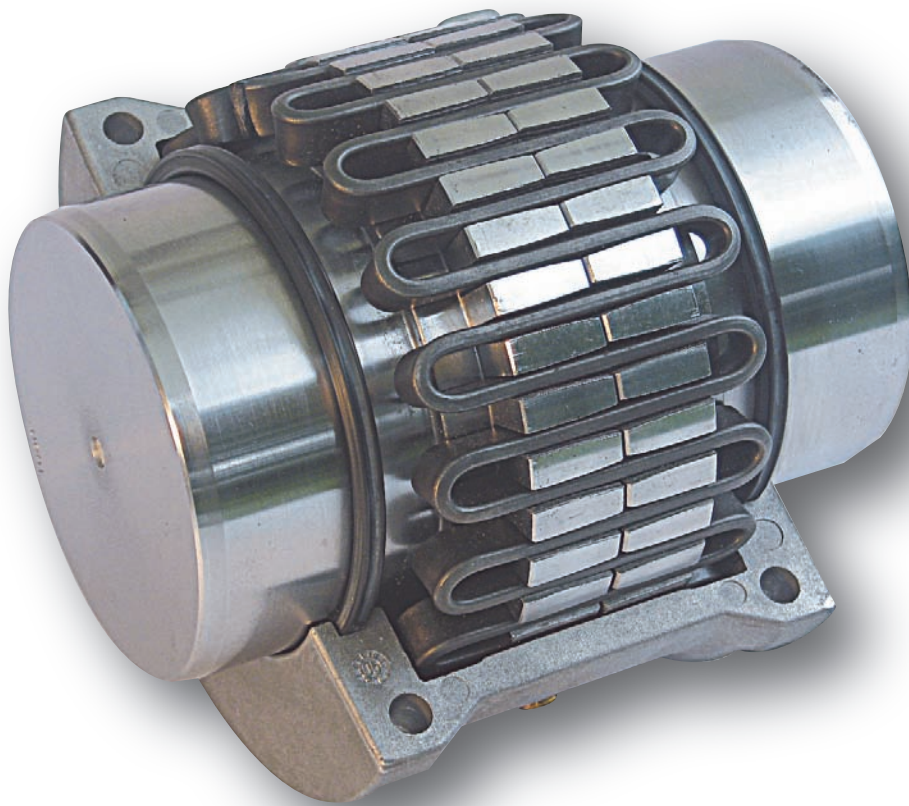


# winflex<sup>®</sup>

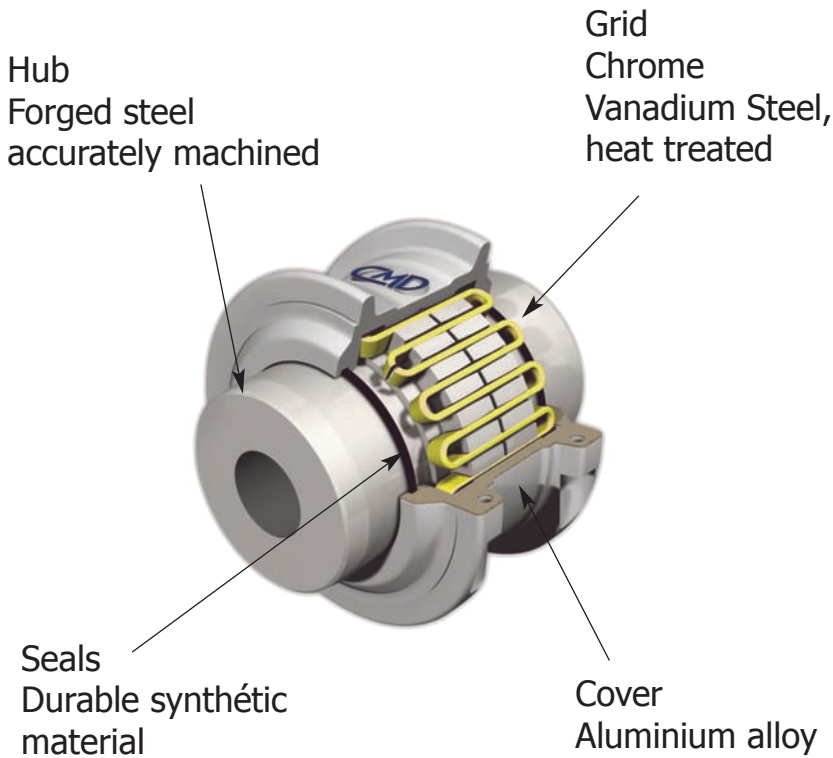
## DG

Tapered grid coupling



**DRIVE**  
SYSTEMS

**CMD**



| SF Applications* |  |
|------------------|--|
| 1                | Agitators, pumps, centrifugal fans and compressors, even load generators ...   |
| 1.25             | Rotary compressors, buckets conveyors, rotary pumps, elevators ...   |
| 1.50             | Paper industries, rewinders, scrapers, conveyor, mills stand with turbines driven with helical gears ...   |
| 1.75             | Hammer mills, general handling, notching press, press circular resaw, planer, calander, super calander, couch press ...  |
| 2.00             | Small and medium cement kilns, wire mills, calanders with overload generators, edger, log, haul, rolls, harbour and grad-buckets crane, draw bench, wire drawing, straighteners, flattening cane knife, and crushers, fans for cooling tower ... |
| 2.50             | Rod mills, chippers, ball mills, mixers, external mixers, mills, big kilns, fillers, strips, lingots ...   |
| 3.00             | Feeds rolls, one cyl. Pumps ...  |

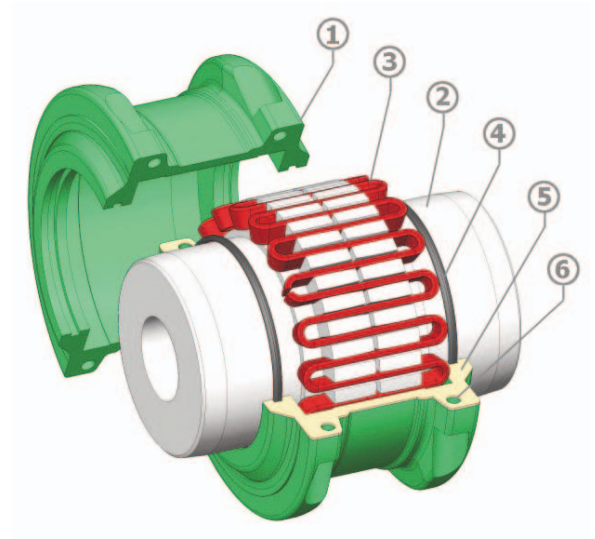
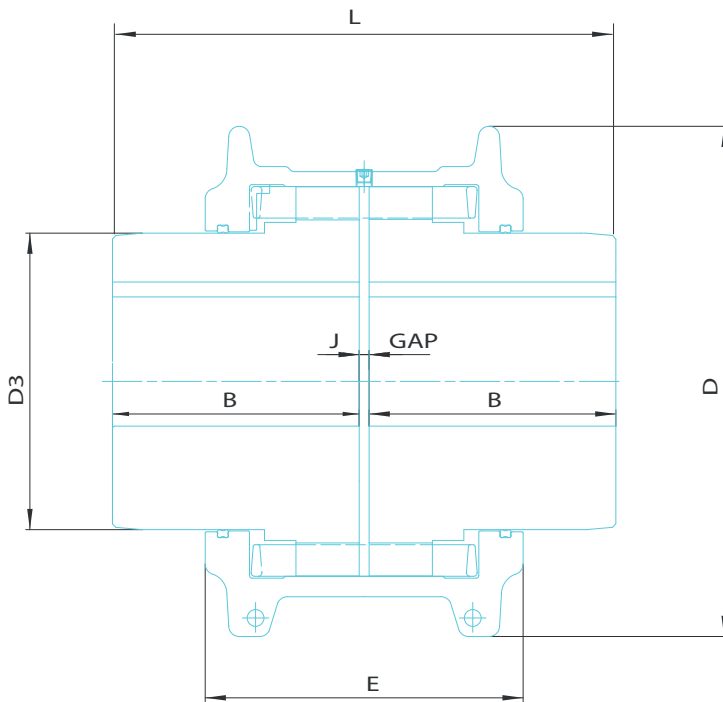
\* For information only. Please contact CMD for further details.

### Interchangeable chart



### FALK

|          |           |
|----------|-----------|
| 1020 DGH | 1020 T 10 |
| 1030 DGH | 1030 T 10 |
| 1040 DGH | 1040 T 10 |
| 1050 DGH | 1050 T 10 |
| 1060 DGH | 1060 T 10 |
| 1070 DGH | 1070 T 10 |
| 1080 DGH | 1080 T 10 |
| 1090 DGH | 1090 T 10 |
| 1100 DGH | 1100 T 10 |
| 1110 DGH | 1110 T 10 |
| 1120 DGH | 1120 T 10 |
| 1130 DGH | 1130 T 10 |
| 1140 DGH | 1140 T 10 |
| 1150 DGH | 1150 T 10 |
| 1160 DGH | 1160 T 10 |
| 1170 DGH | 1170 T 10 |
| 1180 DGH | 1180 T 10 |
| 1190 DGH | 1190 T 10 |
| 1200 DGH | 1200 T 10 |



| Item | Désignation |
|------|-------------|
| 1    | Cover       |
| 2    | Hub         |
| 3    | Grid        |
| 4    | Seal        |
| 5    | Gasket      |
| 6    | Fasteners   |

| Sizes    | Torque rating (Nm) | Maximum bore* (mm) | Dimensions |     |       |       |   |     | Lube weight (kg) | Coupling weight (kg) | Allow speed (Rpm) |
|----------|--------------------|--------------------|------------|-----|-------|-------|---|-----|------------------|----------------------|-------------------|
|          |                    |                    | B          | D   | D3    | E     | J | L   |                  |                      |                   |
| 1020 DGH | 52                 | 28                 | 47         | 88  | 39,5  | 68    | 3 | 97  | 0,03             | 1,8                  | 4500              |
| 1030 DGH | 149                | 35                 | 47         | 99  | 49    | 70    | 3 | 97  | 0,03             | 2,4                  | 4500              |
| 1040 DGH | 249                | 42                 | 50         | 107 | 57    | 71    | 3 | 103 | 0,06             | 3,2                  | 4500              |
| 1050 DGH | 435                | 50                 | 60         | 130 | 66,5  | 85    | 3 | 123 | 0,06             | 5,1                  | 4500              |
| 1060 DGH | 684                | 56                 | 63         | 139 | 76    | 92    | 3 | 129 | 0,09             | 7,2                  | 4350              |
| 1070 DGH | 994                | 65                 | 76         | 150 | 87    | 95    | 3 | 155 | 0,11             | 10,1                 | 4125              |
| 1080 DGH | 2 050              | 80                 | 88         | 176 | 104,5 | 117   | 3 | 179 | 0,17             | 17,8                 | 3600              |
| 1090 DGH | 3 730              | 95                 | 98         | 196 | 123,5 | 123   | 3 | 199 | 0,25             | 25                   | 3600              |
| 1100 DGH | 6 280              | 110                | 120        | 251 | 142   | 156   | 5 | 245 | 0,43             | 43                   | 2440              |
| 1110 DGH | 9 320              | 120                | 127        | 270 | 160   | 162   | 5 | 259 | 0,51             | 56                   | 2250              |
| 1120 DGH | 13 700             | 137                | 149        | 308 | 179   | 192   | 6 | 304 | 0,74             | 81,2                 | 2025              |
| 1130 DGH | 19 900             | 165                | 162        | 346 | 217   | 195   | 6 | 330 | 0,91             | 121                  | 1800              |
| 1140 DGH | 28 600             | 184                | 182        | 384 | 254   | 201   | 6 | 374 | 1,2              | 178                  | 1650              |
| 1150 DGH | 39 800             | 215                | 182        | 453 | 269   | 271,5 | 6 | 372 | 1,95             | 234                  | 1500              |
| 1160 DGH | 55 900             | 240                | 198        | 504 | 305   | 278   | 6 | 402 | 2,18             | 317                  | 1350              |
| 1170 DGH | 74 600             | 280                | 216        | 567 | 356   | 307   | 6 | 439 | 3,49             | 448                  | 1225              |
| 1180 DGH | 103 000            | 300                | 239        | 629 | 394   | 321   | 6 | 524 | 3,76             | 619                  | 1110              |
| 1190 DGH | 137 000            | 335                | 259        | 757 | 437   | 355   | 6 | 565 | 4,40             | 776                  | 1050              |
| 1200 DGH | 186 000            | 360                | 279        | 845 | 498   | 432   | 6 | 623 | 5,62             | 1058                 | 900               |

\* For rectangular section keys (ISO)

When severe loading conditions exist be advise to reduce by 10% the table maximum bore capacities for hubs

• Values are for hubs without bore

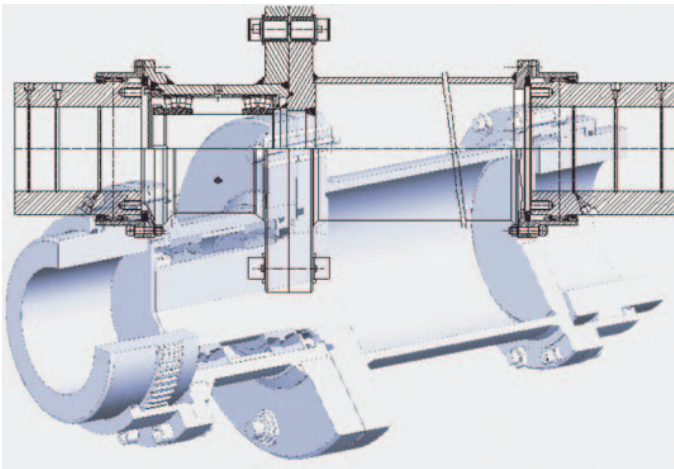
Note: all dimensions are subject to change without notification

# Other Products

## Flexible couplings



**Flexident Senior  
Gear coupling**



**Customized  
coupling**



ISO 9001

**DRIVE**  
SYSTEMS

Drive Systems Pty Ltd  
12 Sommersby Court | Lysterfield | Victoria 3156 | Australia  
Phone: +61(0) 3 9759 7100  
Email: [info@drivesystems.com.au](mailto:info@drivesystems.com.au)  
Web: [www.drivesystems.com.au](http://www.drivesystems.com.au)

**SALES DEPARTMENT**

36 avenue de l'Europe - Immeuble l'Etendard  
BP 43 - 78142 VELIZY Cedex - FRANCE  
Phone: +33(0) 1 34 63 12 24 - Fax: +33(0) 1 34 63 12 45  
[contact@cmdgears.com](mailto:contact@cmdgears.com)

**HEAD OFFICE - FACTORY**

539, avenue du Cateau - 59400 CAMBRAI - FRANCE  
Phone: +33(0) 3 27 73 53 11 - Fax: +33(0) 3 27 78 36 99  
[www.cmd-couplings.com](http://www.cmd-couplings.com)  
[www.cmd-gears.com](http://www.cmd-gears.com)