

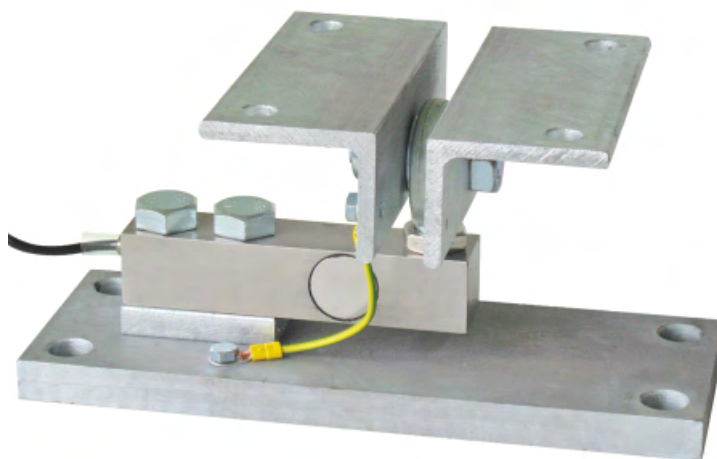
# PS-PS10T

MOUNTING KIT for SHEAR BEAM load cells

LAUMAS®  
ELETTRONICA

Series load cells: FTP - FTZ - FTK

Application range from 3000 to 10000 kg



MAX STATIC LOAD kg	FOR LOAD CELLS	NET WEIGHT OF MOUNTING KIT (kg)	CODE
5000	FTK - FTP - FTZ	10.5	PS
10000	FTP	15.5	PS10T

*Load cell not included.*

## DESCRIPTION

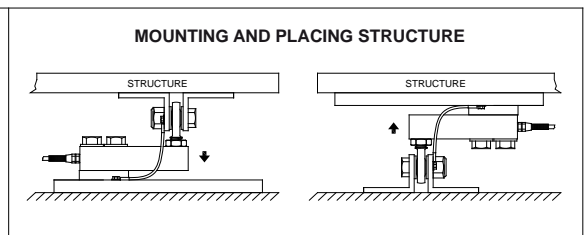
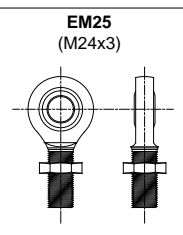
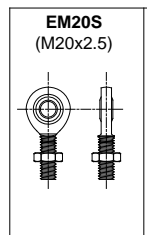
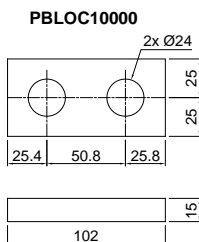
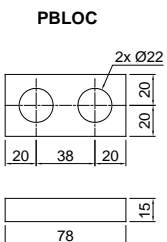
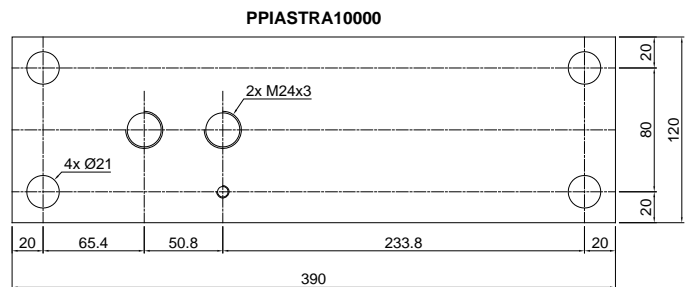
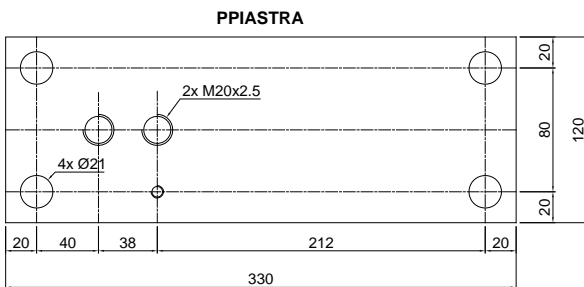
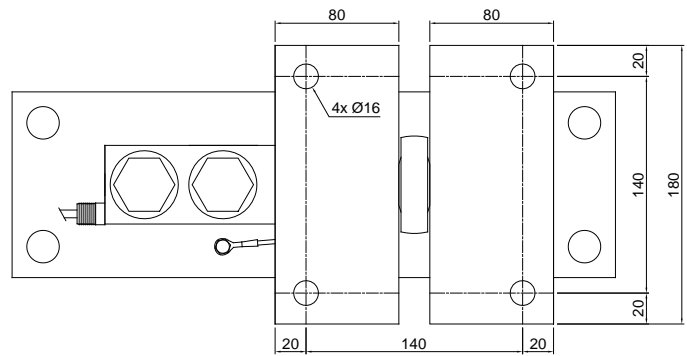
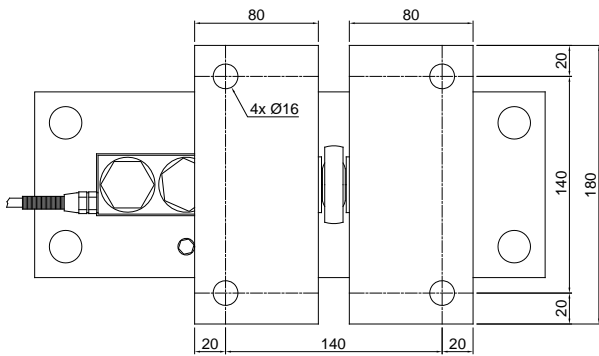
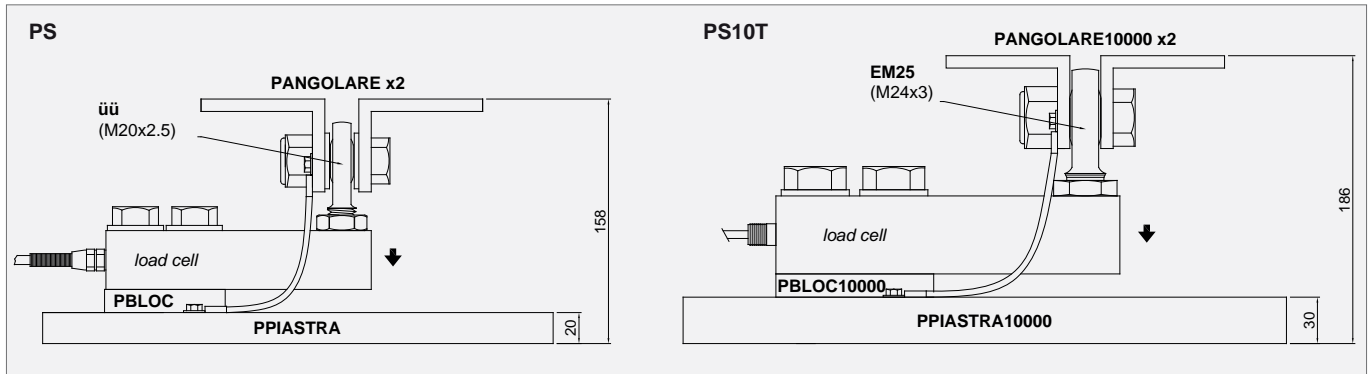
- Hot worked galvanized (PS) or AISI 304 stainless steel (PS10T) upper plate.
- Lower plate and block in hot worked galvanized.
- Constraint against lateral forces and anti-tilt by ball-and-socket joint.
- Misalignment compensation of the support plates structure.
- Adjustable height.

# PS-PS10T

MOUNTING KIT for SHEAR BEAM load cells

## DIMENSIONS AND TECHNICAL SPECIFICATIONS

- Interconnect the plates to the earthing.
- In case of structure with four-point support, proceed to the height adjustment, if one-point does not in contact with the upper part of the mounting kit.



Rev. 00 del 12/03/2015

The Company reserves the right to make changes to the technical data, drawings and images without notice.