

# Cleaner's Sink



**CSB**  
**CSL**

Scan QR code to view our installation notes

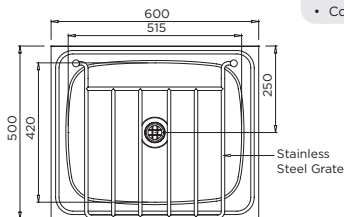


To order this item please advise:

- CSB = supplied with wall brackets
- CSL = supplied with brackets and legs

Product Info:

- Extra large 46L bowl capacity
- Stainless steel hinged bucket grate
- Adjustable optional support legs
- 50mm waste and brackets supplied
- Optional splashback extension
- Commercial grade 304 S.S.



## Suggested Tapware:

(see Tapware Section: 11 for complete range of options)



**TW-SET-01**  
Wall Sink Set  
with Fixed Spout



**TW-SET-04**  
Wall Sink Set  
with Upswept  
Swivel Spout



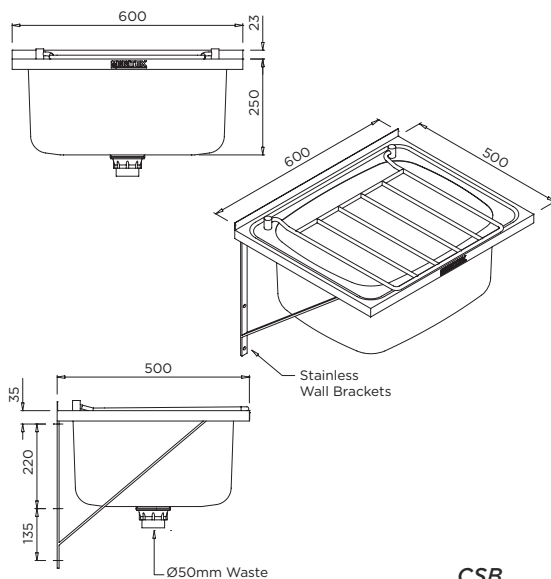
**TW-SET-05**  
Wall Sink Set  
with Gooseneck  
Swivel Spout



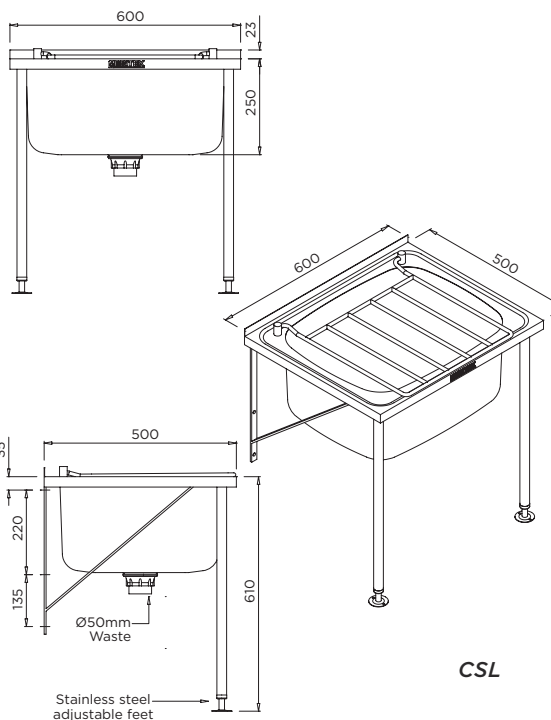
**TW-0010/TW-0011**  
Vandal Resistant  
Hot and Cold  
Deluxe Bib Taps

## INSTALLATION NOTES

- 1) Fixture strength is ultimately determined by the load capacity of the supporting structure (noggins recommended for stud wall construction) and use of appropriate fixings (i.e. sleeve anchors for masonry walls).
- 2) Sink is mounted to wall via two brackets (inserted into side fascias of sink).
- 3) Additional front support legs that fix to the underside of the sink are supplied only where requested (product code CSL).



**CSB**



**CSL**