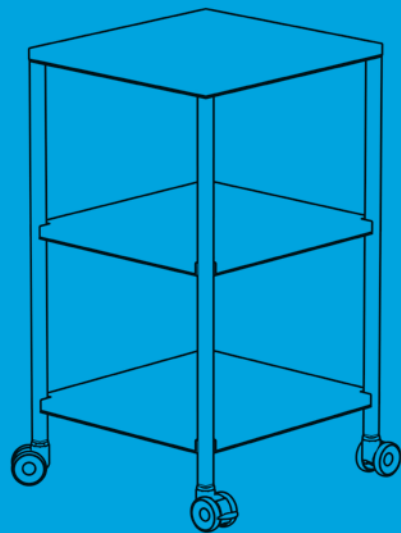


# DRESSING CARTS

**500 SERIES / 700 SERIES / 1000 SERIES**

# DRESSING CARTS

500 SERIES / 700 SERIES / 1000 SERIES



\* Model shown: FM2901-3



## Simple Dressing Carts. Built to last.

Choose from a nylon coated mild steel frame or go for a full stainless steel option, each available with 2 or 3 worksurfaces and in 3 widths.

To complement our original 'capped' range of dressing carts, we now also offer a raised-lip worksurface model with the same frame, same shelf and the same width options.

Built to stand the test of time and fitted with our triple-bearing 75mm castors, these Dressing Carts are a great choice for any hospital's forward-thinking equipment budget.

[Explore our Dressing Cart range >](#)

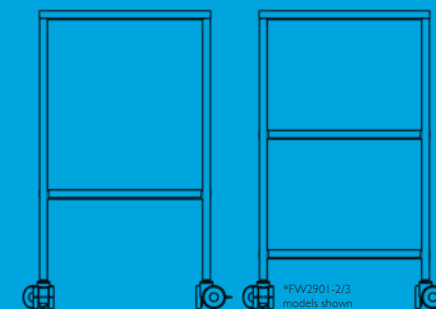
## What is included on the base models?

Choosing the Dressing Cart that fits your requirements is simple with multiple options included on the base model. First choose your cart width and the number of shelves you need.

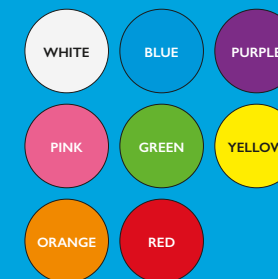
Second, decide if you're opting for a mild steel frame or the full stainless steel option. If you choose the mild steel option, pick your frame colour.

The final decision is if you want 'capped' or 'raised lip' edges for your Dressing Cart!

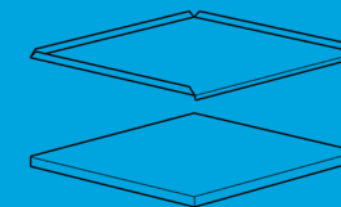
### 1. CHOOSE FRAME & NO. OF SHELVES



### 2. CHOOSE YOUR FRAME COLOUR (if a mild steel frame)

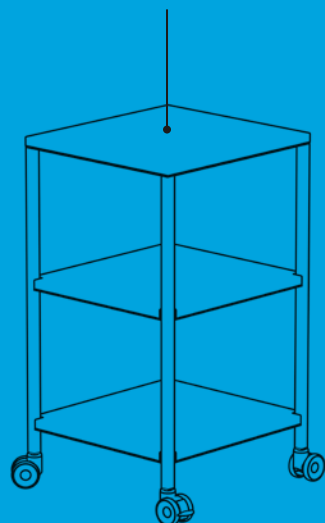


### 3. CHOOSE CAPPED OR RAISED-LIP (worksurface/shelves)

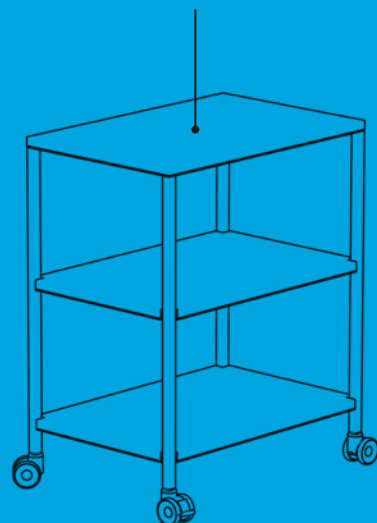


### 4. WANT TO CUSTOMISE FURTHER? Just speak to our sales team!

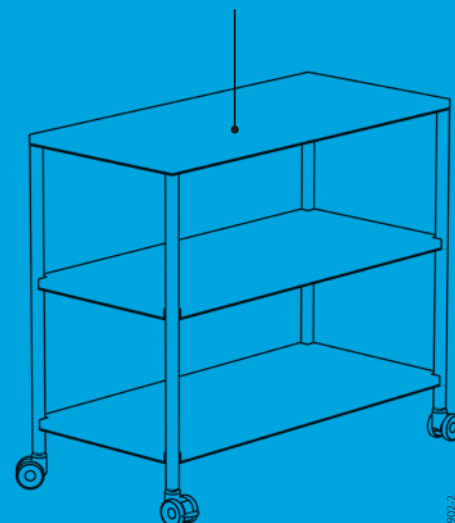
DRESSING CART  
**500 SERIES**



DRESSING CART  
**700 SERIES**



DRESSING CART  
**1000 SERIES**



\*FW2901-2 / FW2903-2 / FW2902-2 capped models shown.

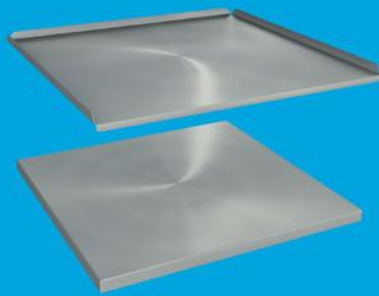
## WHY BUY FREEWAY? BECAUSE ALL

## THESE FEATURES ARE STANDARD!



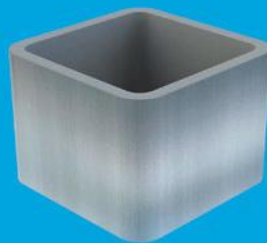
### Frame Colour Choice

Every mild steel Dressing Cart in the range can have its frame painted in one of 8 available options, to help brighten wards and code by colour.



### Capped or Lipped Surfaces

Either model you choose - edgeless, capped worksurface or raised lip worksurface – is guaranteed to be of high-grade stainless steel to last longer.



### Stainless Steel Frame

Choose the full stainless steel frame and worksurface option for the maximum product life cycle that is easy to clean and extremely durable by default.



### Super-Tough Nylon Paint

If you opt for the mild steel frame, we'll protect it and make it last with an extremely durable and easy-clean nylon powder coat paint finish.



### Ultra Heavy-Duty Castors

Featuring a triple ball-race bearing set, our castors and rubberised tyres are built to last and ensure effortless manoeuvring of a fully stocked cart.



### Fully Assembled

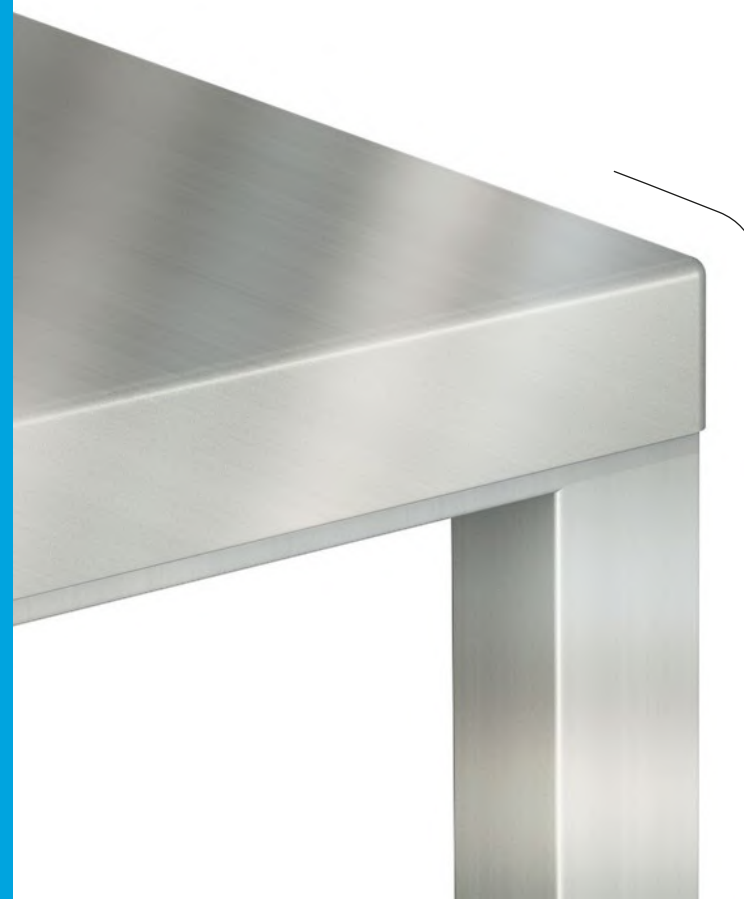
The Dressing Cart range comes to you fully assembled and ready to roll into use. Simply unpack from the box and your cart can be put into action.



### DRESSING CART CAPPED

- Capped worksurfaces
- Mild or stainless steel frame
- 2 or 3 shelf option
- 3 cart widths available
- Ultra durable castors/2 brakes

○ Clean lines with our edgeless 'capped' worksurfaces.



Seamless in design, with smooth 'capped' worksurfaces for easy cleaning and a sleek finish.

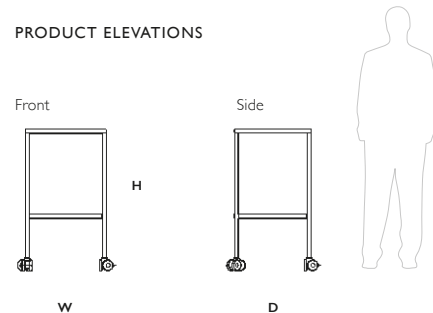


PRODUCT CODE  
**FW2901-2** Dressing Cart with mild steel frame  
(2 shelf / 500mm width)

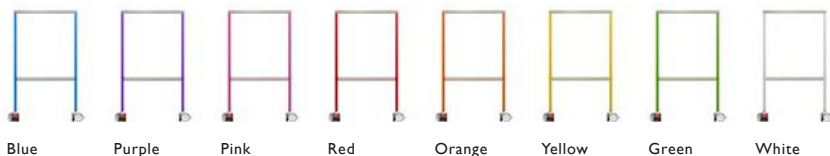
The capped Dressing Cart range has edgeless, capped worksurfaces designed for easy cleaning and efficient storage around the hospital.

**DIMENSIONS**  
Height = 890mm Width = 520mm Depth = 480mm

**PRODUCT ELEVATIONS**



**FRAME COLOURS** (included in price)



Blue Purple Pink Red Orange Yellow Green White

**NYLON COATED MILD STEEL FRAME**



The mild steel Dressing Carts feature an easy-to-clean powder coated frame which is much harder wearing than conventional paint systems.

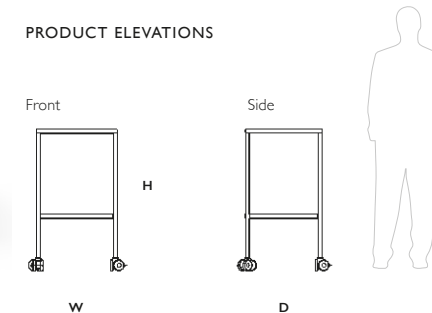


PRODUCT CODE  
**FW2801-2** Dressing Cart with stainless steel frame  
(2 shelf / 500mm width)

With 2 shelves, this compact Dressing Cart is a versatile solution that is easily wheeled around any ward with ultra-durable castors and brakes.

**DIMENSIONS**  
Height = 890mm Width = 520mm Depth = 480mm

**PRODUCT ELEVATIONS**



**EDGELESS CAPPED WORKSURFACES** (applies to both mild steel and stainless steel frame models)



All products shown feature our edge-less capped stainless steel worksurfaces and shelves.



**STAINLESS STEEL FRAME**



The stainless steel Dressing Cart range not only looks sleek but is the ultimate in long-lasting durability for extended product life.



**DRESSING CARTS - 500 SERIES / MILD STEEL FRAME / 3 CAPPED WORKSURFACES**

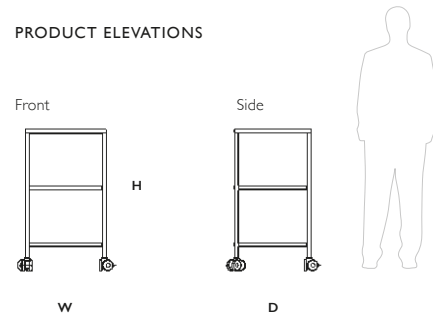


PRODUCT CODE  
**FW2901-3** Dressing Cart with mild steel frame  
(3 shelf / 500mm width)

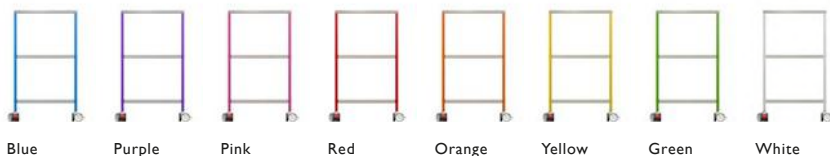
Available in 8 different colours for you to choose from, all of the mild steel Dressing Cart range have an easy-to-clean, durable paint.

**DIMENSIONS**  
Height = 890mm Width = 520mm Depth = 480mm

**PRODUCT ELEVATIONS**



**FRAME COLOURS** (included in price)



Blue Purple Pink Red Orange Yellow Green White

**NYLON COATED MILD STEEL FRAME**



The mild steel Dressing Carts feature an easy-to-clean powder coated frame which is much harder wearing than conventional paint systems.

**DRESSING CARTS - 500 SERIES / STAINLESS FRAME / 3 CAPPED WORKSURFACES**

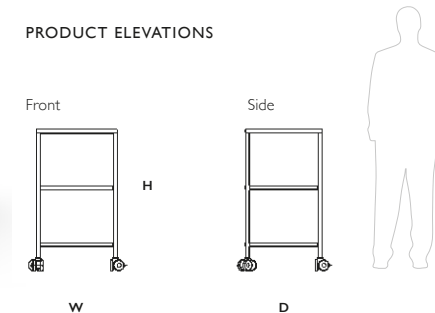


PRODUCT CODE  
**FW2801-3** Dressing Cart with stainless steel frame  
(3 shelf / 500mm width)

The stainless steel frame with 3 shelves is a must-have for navigating around wards and offering extra space to place or transport notes or equipment.

**DIMENSIONS**  
Height = 890mm Width = 520mm Depth = 480mm

**PRODUCT ELEVATIONS**



**EDGELESS CAPPED WORKSURFACES** (applies to both mild steel and stainless steel frame models)



All products shown feature our edge-less capped stainless steel worksurfaces and shelves.



**STAINLESS STEEL FRAME**



The stainless steel Dressing Cart range not only looks sleek but is the ultimate in long-lasting durability for extended product life.

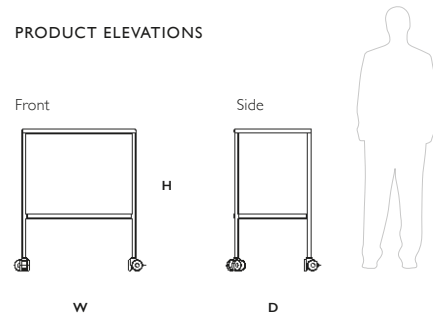


PRODUCT CODE  
**FW2903-2** Dressing Cart with mild steel frame  
 (2 shelf / 700mm width)

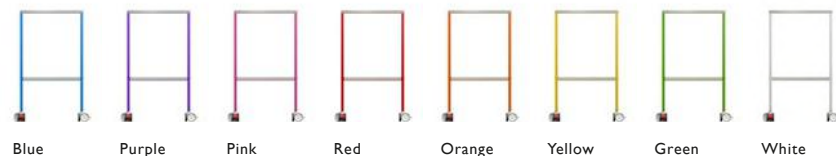
Featuring 2 shelves for storage and a mild steel frame to colour code with your ward, these Dressing Carts are built to complement your existing units.

**DIMENSIONS**  
 Height = 890mm Width = 705mm Depth = 480mm

**PRODUCT ELEVATIONS**



**FRAME COLOURS** (included in price)



**NYLON COATED MILD STEEL FRAME**



The mild steel Dressing Carts feature an easy-to-clean powder coated frame which is much harder wearing than conventional paint systems.

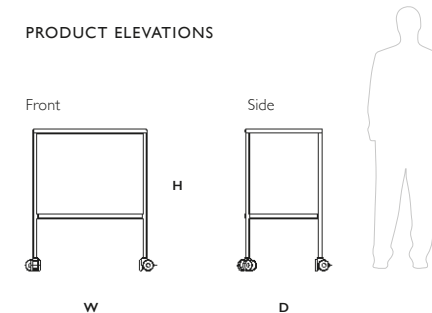


PRODUCT CODE  
**FW2803-2** Dressing Cart with stainless steel frame  
 (2 shelf / 700mm width)

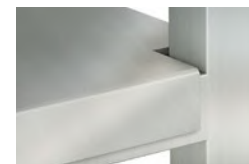
The stainless steel Dressing Cart with 2 shelves is an excellent choice for those seeking durability and an easy-to-clean model to move around wards.

**DIMENSIONS**  
 Height = 890mm Width = 705mm Depth = 480mm

**PRODUCT ELEVATIONS**



**EDGELESS CAPPED WORKSURFACES** (applies to both mild steel and stainless steel frame models)



All products shown feature our edge-less capped stainless steel worksurfaces and shelves.



**STAINLESS STEEL FRAME**



The stainless steel Dressing Cart range not only looks sleek but is the ultimate in long-lasting durability for extended product life.



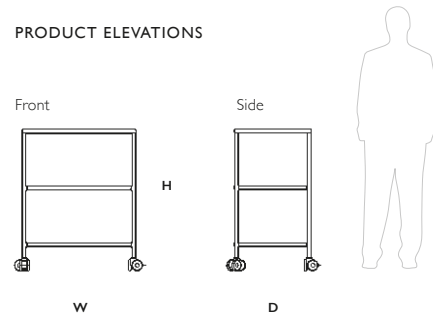


PRODUCT CODE  
**FW2903-3** Dressing Cart with mild steel frame  
 (3 shelf / 700mm width)

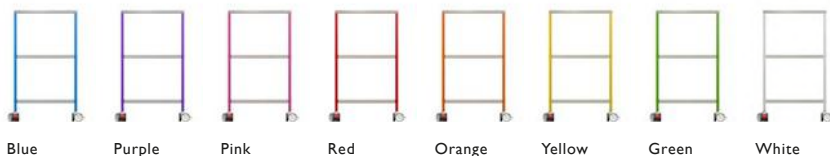
Hospitals everywhere can benefit from this Dressing Cart with 3 shelves, 700mm wide, for use in multiple scenarios.

**DIMENSIONS**  
 Height = 890mm Width = 705mm Depth = 480mm

**PRODUCT ELEVATIONS**



**FRAME COLOURS** (included in price)



Blue Purple Pink Red Orange Yellow Green White

**NYLON COATED MILD STEEL FRAME**



The mild steel Dressing Carts feature an easy-to-clean powder coated frame which is much harder wearing than conventional paint systems.

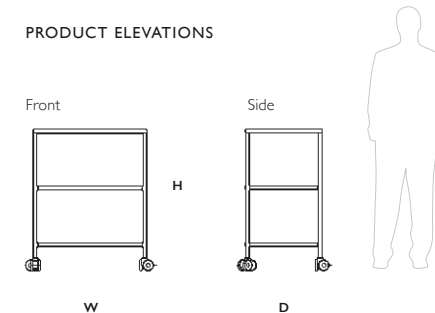


PRODUCT CODE  
**FW2803-3** Dressing Cart with stainless steel frame  
 (3 shelf / 700mm width)

The entire range of Dressing Carts are fitted with triple bearing 75mm castors to ensure swift, responsive movement and reliability.

**DIMENSIONS**  
 Height = 890mm Width = 705mm Depth = 480mm

**PRODUCT ELEVATIONS**



**EDGELESS CAPPED WORKSURFACES** (applies to both mild steel and stainless steel frame models)



All products shown feature our edge-less capped stainless steel worksurfaces and shelves.



**STAINLESS STEEL FRAME**



The stainless steel Dressing Cart range not only looks sleek but is the ultimate in long-lasting durability for extended product life.

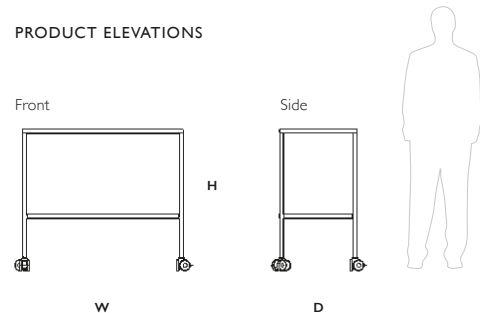


PRODUCT CODE  
**FW2902-2** Dressing Cart with mild steel frame  
 (2 shelf / 1000mm width)

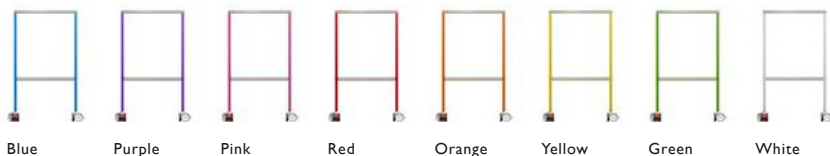
With 2 shelves, the 1000mm Dressing Cart offers large surface areas for use around hospital wards for all purposes.

**DIMENSIONS**  
 Height = 890mm Width = 1005mm Depth = 480mm

**PRODUCT ELEVATIONS**



**FRAME COLOURS** (included in price)



**NYLON COATED MILD STEEL FRAME**



The mild steel Dressing Carts feature an easy-to-clean powder coated frame which is much harder wearing than conventional paint systems.

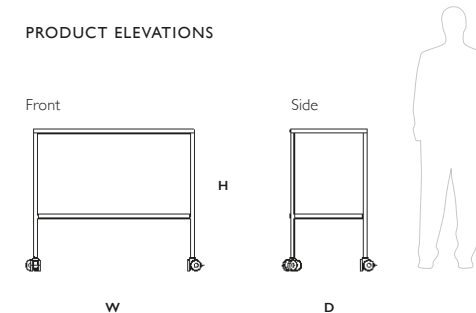


PRODUCT CODE  
**FW2802-2** Dressing Cart with stainless steel frame  
 (2 shelf / 1000mm width)

The edgeless capped worksurfaces are a clean addition to any ward and are made from the very best grade of stainless steel.

**DIMENSIONS**  
 Height = 890mm Width = 1005mm Depth = 480mm

**PRODUCT ELEVATIONS**



**EDGELESS CAPPED WORKSURFACES** (applies to both mild steel and stainless steel frame models)



All products shown feature our edge-less capped stainless steel worksurfaces and shelves.



**STAINLESS STEEL FRAME**



The stainless steel Dressing Cart range not only looks sleek but is the ultimate in long-lasting durability for extended product life.

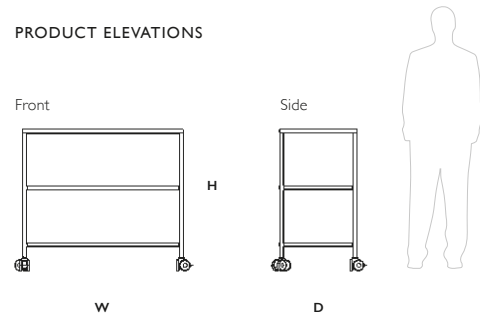


PRODUCT CODE  
**FW2902-3** Dressing Cart with mild steel frame  
 (3 shelf / 1000mm width)

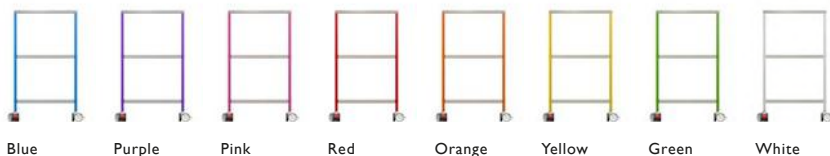
Utilise your space efficiently with our largest Dressing Cart in the range with 3 shelves to use at 1000mm wide.

**DIMENSIONS**  
 Height = 890mm Width = 1005mm Depth = 480mm

**PRODUCT ELEVATIONS**



**FRAME COLOURS** (included in price)



Blue Purple Pink Red Orange Yellow Green White

**NYLON COATED MILD STEEL FRAME**



The mild steel Dressing Carts feature an easy-to-clean powder coated frame which is much harder wearing than conventional paint systems.

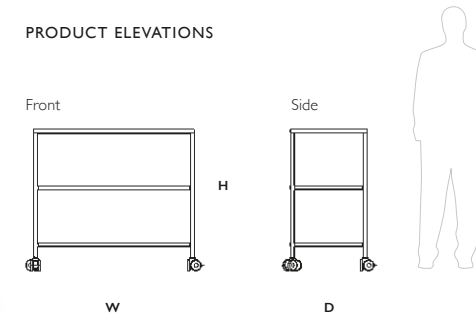


PRODUCT CODE  
**FW2802-3** Dressing Cart with stainless steel frame  
 (3 shelf / 1000mm width)

At 1000mm wide and boasting 3 shelves, the stainless steel frame on our largest cart fits seamlessly into any ward for immediate use.

**DIMENSIONS**  
 Height = 890mm Width = 1005mm Depth = 480mm

**PRODUCT ELEVATIONS**



**EDGELESS CAPPED WORKSURFACES** (applies to both mild steel and stainless steel frame models)



All products shown feature our edge-less capped stainless steel worksurfaces and shelves.



**STAINLESS STEEL FRAME**



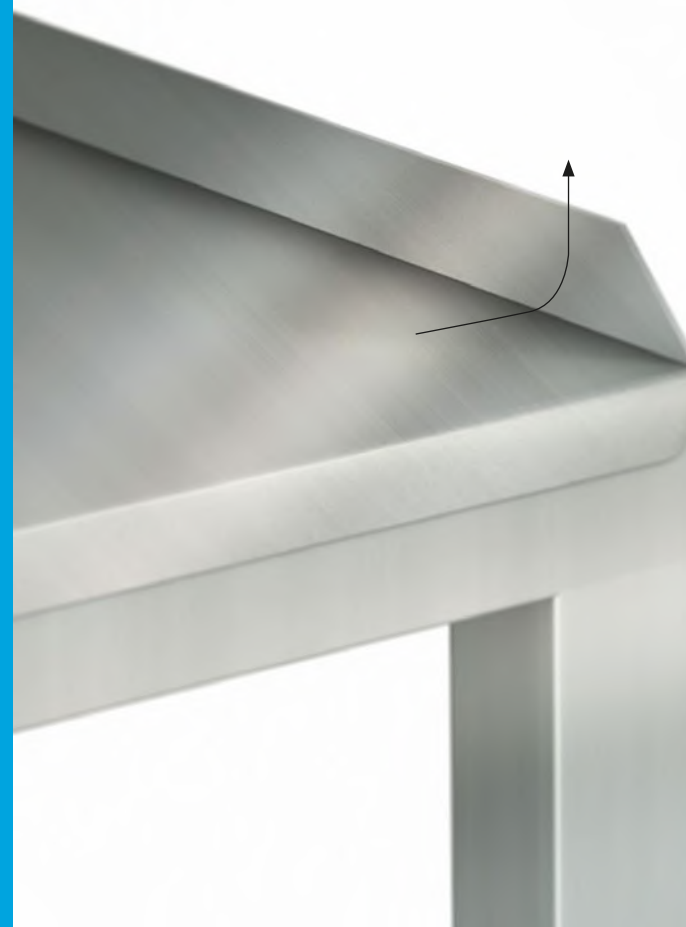
The stainless steel Dressing Cart range not only looks sleek but is the ultimate in long-lasting durability for extended product life.



### DRESSING CART RAISED LIP

- Raised lip anti-spill worksurfaces
- Mild or stainless steel frame
- 2 or 3 shelf option
- 3 cart widths available
- Ultra durable castors/2 brakes

Keep everything on the cart with our 'raised lip' worksurfaces.



Clean, sleek and functional design with 'raised lip' worksurfaces to keep everything in place.

**DRESSING CARTS - 500 SERIES / MILD STEEL FRAME / 2 RAISED LIP SURFACES**

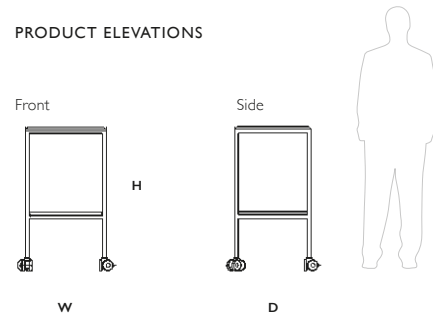


PRODUCT CODE  
**FW2901-2RL Dressing Cart with mild steel frame (2 shelf / 500mm width)**

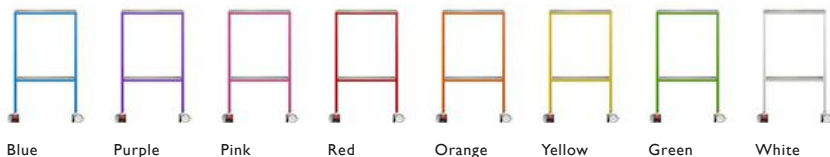
The raised lip worksurface on this Dressing Cart with 2 shelves is cleverly designed to ensure everything you place on it does not spill or roll off.

**DIMENSIONS**  
Height = 910mm Width = 540mm Depth = 490mm

**PRODUCT ELEVATIONS**



**FRAME COLOURS** (included in price)



Blue Purple Pink Red Orange Yellow Green White

**NYLON COATED MILD STEEL FRAME**



The mild steel Dressing Carts feature an easy-to-clean powder coated frame which is much harder wearing than conventional paint systems.

**DRESSING CARTS - 500 SERIES / STAINLESS STEEL FRAME / 2 RAISED LIP SURFACES**

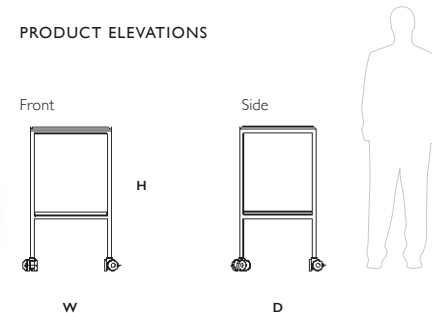


PRODUCT CODE  
**FW2801-2RL Dressing Cart with stainless steel frame (2 shelf / 500mm width)**

The stainless steel option of the Dressing Cart with 2 shelves is perfect for those seeking a sleek finish, the ultimate ease whilst cleaning and a product to last in their ward.

**DIMENSIONS**  
Height = 910mm Width = 540mm Depth = 490mm

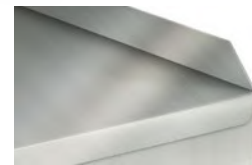
**PRODUCT ELEVATIONS**



**ANTI-SPILL RAISED LIP WORKSURFACES** (applies to both mild steel and stainless steel frame models)



All products shown feature our raised lip stainless steel worksurfaces and shelves.



**STAINLESS STEEL FRAME**



The stainless steel Dressing Cart range not only looks sleek but is the ultimate in long-lasting durability for extended product life.



**DRESSING CARTS - 500 SERIES / MILD STEEL FRAME / 3 RAISED LIP SURFACES**

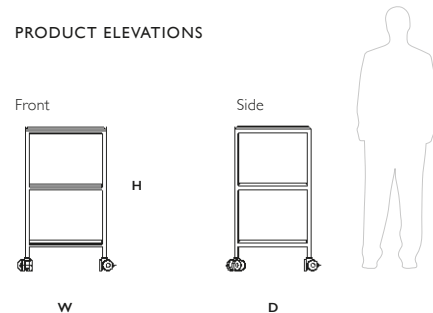


PRODUCT CODE  
**FW2901-3RL** Dressing Cart with mild steel frame  
(3 shelf / 500mm width)

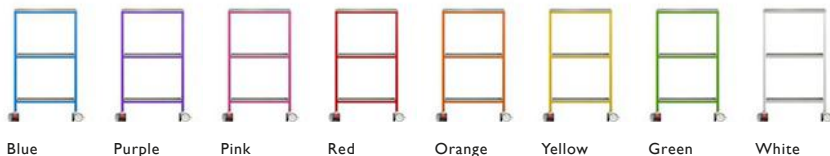
With 3 raised lip surfaces on this Dressing Cart, it is a versatile and easily manoeuvrable solution for transporting equipment or for doing the rounds.

**DIMENSIONS**  
Height = 910mm Width = 540mm Depth = 490mm

**PRODUCT ELEVATIONS**



**FRAME COLOURS** (included in price)



Blue Purple Pink Red Orange Yellow Green White

**NYLON COATED MILD STEEL FRAME**



The mild steel Dressing Carts feature an easy-to-clean powder coated frame which is much harder wearing than conventional paint systems.

**DRESSING CARTS - 500 SERIES / STAINLESS FRAME / 3 RAISED LIP SURFACES**

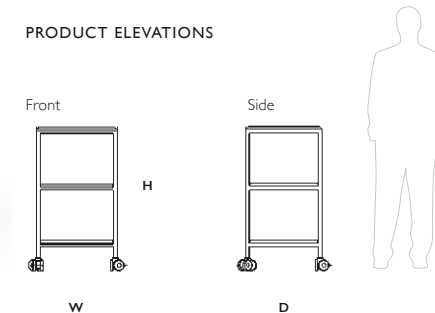


PRODUCT CODE  
**FW2801-3RL** Dressing Cart with stainless steel frame  
(3 shelf / 500mm width)

Create a clean, modern look on your ward with a stainless steel frame to match the raised lip stainless steel worksurfaces and shelves that are on all our Dressing Carts.

**DIMENSIONS**  
Height = 910mm Width = 540mm Depth = 490mm

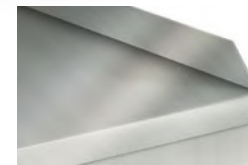
**PRODUCT ELEVATIONS**



**ANTI-SPILL RAISED LIP WORKSURFACES** (applies to both mild steel and stainless steel frame models)



All products shown feature our raised lip stainless steel worksurfaces and shelves.



**STAINLESS STEEL FRAME**



The stainless steel Dressing Cart range not only looks sleek but is the ultimate in long-lasting durability for extended product life.



## DRESSING CARTS - 700 SERIES / MILD STEEL FRAME / 2 RAISED LIP SURFACES

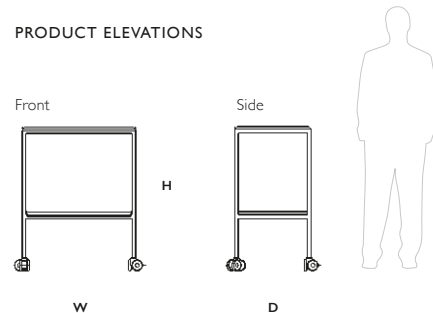


PRODUCT CODE  
**FW2903-2RL** Dressing Cart with mild steel frame  
(2 shelf / 700mm width)

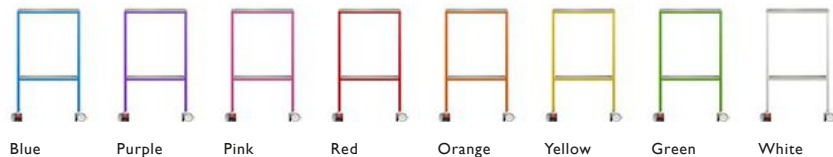
The 700mm wide Dressing Cart with 2 raised lip surfaces offers more space than our smallest model but is compact enough to fit into narrow or limited spaces.

DIMENSIONS  
Height = 910mm Width = 720mm Depth = 490mm

### PRODUCT ELEVATIONS



### FRAME COLOURS (included in price)



Blue Purple Pink Red Orange Yellow Green White

### NYLON COATED MILD STEEL FRAME



The mild steel Dressing Carts feature an easy-to-clean powder coated frame which is much harder wearing than conventional paint systems.

## DRESSING CARTS - 700 SERIES / STAINLESS FRAME / 2 RAISED LIP SURFACES

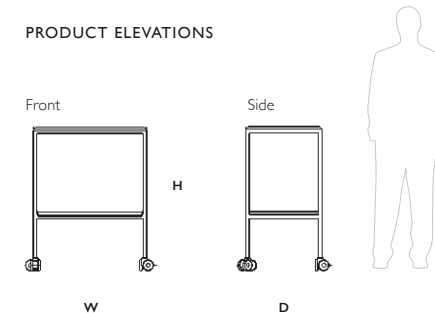


PRODUCT CODE  
**FW2803-2RL** Dressing Cart with stainless steel frame  
(2 shelf / 700mm width)

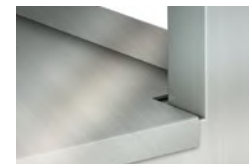
Anti-spill raised lip worksurfaces are on the entirety of this range, whether you choose the nylon coated mild steel frame or the stainless steel frame option.

DIMENSIONS  
Height = 910mm Width = 720mm Depth = 490mm

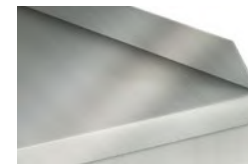
### PRODUCT ELEVATIONS



### ANTI-SPILL RAISED LIP WORKSURFACES (applies to both mild steel and stainless steel frame models)



All products shown feature our raised lip stainless steel worksurfaces and shelves.



### STAINLESS STEEL FRAME



The stainless steel Dressing Cart range not only looks sleek but is the ultimate in long-lasting durability for extended product life.

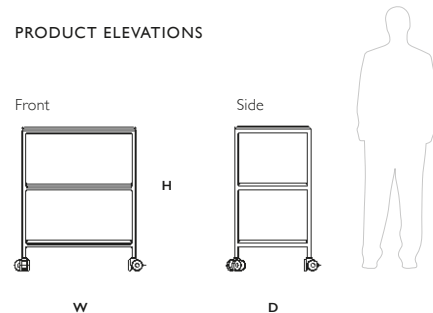


PRODUCT CODE  
**FW2903-3RL** Dressing Cart with mild steel frame  
(3 shelf / 700mm width)

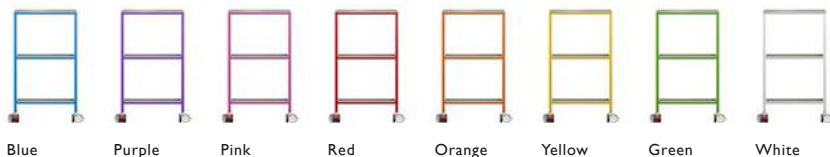
Featuring 3 shelves for maximum storage, the nylon coated mild steel Dressing Cart can be customised in 8 available colours to complement the rest of your ward.

**DIMENSIONS**  
Height = 910mm Width = 720mm Depth = 490mm

**PRODUCT ELEVATIONS**



**FRAME COLOURS** (included in price)



Blue Purple Pink Red Orange Yellow Green White

**NYLON COATED MILD STEEL FRAME**



The mild steel Dressing Carts feature an easy-to-clean powder coated frame which is much harder wearing than conventional paint systems.

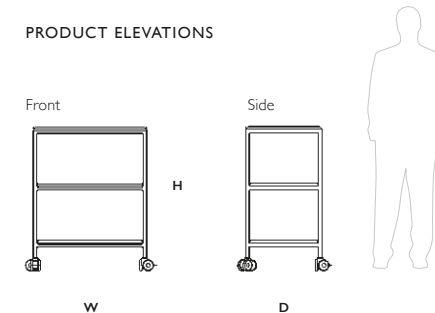


PRODUCT CODE  
**FW2803-3RL** Dressing Cart with stainless steel frame  
(3 shelf / 700mm width)

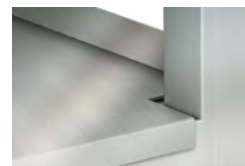
Swift, effortless and responsive movement from these Dressing Carts round wards are guaranteed with our heavy-duty castors that are premium built and designed to last.

**DIMENSIONS**  
Height = 910mm Width = 720mm Depth = 490mm

**PRODUCT ELEVATIONS**



**ANTI-SPILL RAISED LIP WORKSURFACES** (applies to both mild steel and stainless steel frame models)



All products shown feature our raised lip stainless steel worksurfaces and shelves.



**STAINLESS STEEL FRAME**



The stainless steel Dressing Cart range not only looks sleek but is the ultimate in long-lasting durability for extended product life.

## DRESSING CARTS - 1000 SERIES / MILD STEEL FRAME / 2 RAISED LIP SURFACES

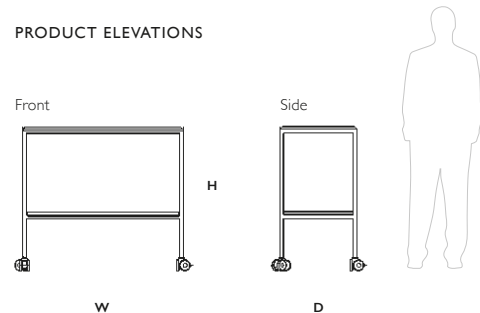


PRODUCT CODE  
**FW2902-2RL** Dressing Cart with mild steel frame  
(2 shelf / 1000mm width)

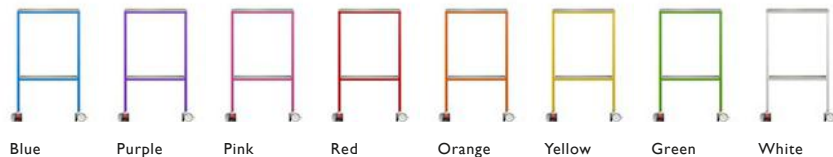
All shelves, on this Dressing Cart and the rest of the range, are made from a premium grade of stainless steel, including the raised lip that prevents your items slipping off.

DIMENSIONS  
Height = 910mm Width = 1025mm Depth = 490mm

### PRODUCT ELEVATIONS



### FRAME COLOURS *(included in price)*



Blue Purple Pink Red Orange Yellow Green White

### NYLON COATED MILD STEEL FRAME



The mild steel Dressing Carts feature an easy-to-clean powder coated frame which is much harder wearing than conventional paint systems.

## DRESSING CARTS - 1000 SERIES / STAINLESS FRAME / 2 RAISED LIP SURFACES

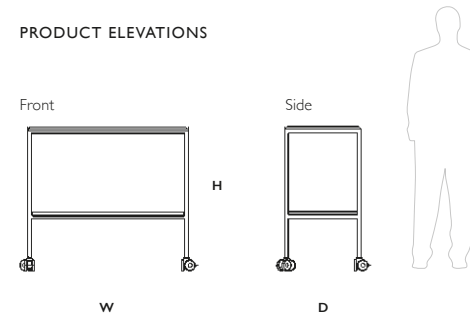


PRODUCT CODE  
**FW2802-2RL** Dressing Cart with stainless steel frame  
(2 shelf / 1000mm width)

The stainless steel frame model on this Dressing Cart has been designed with wards and its users in mind, blending durability with practicality and aesthetics.

DIMENSIONS  
Height = 910mm Width = 1025mm Depth = 490mm

### PRODUCT ELEVATIONS



### ANTI-SPILL RAISED LIP WORKSURFACES *(applies to both mild steel and stainless steel frame models)*



All products shown feature our raised lip stainless steel worksurfaces and shelves.



### STAINLESS STEEL FRAME



The stainless steel Dressing Cart range not only looks sleek but is the ultimate in long-lasting durability for extended product life.

**DRESSING CARTS - 1000 SERIES / MILD STEEL FRAME / 3 RAISED LIP SURFACES**

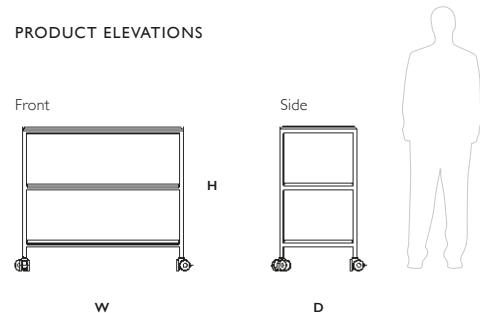


PRODUCT CODE  
**FW2902-3RL** Dressing Cart with mild steel frame  
 (3 shelf / 1000mm width)

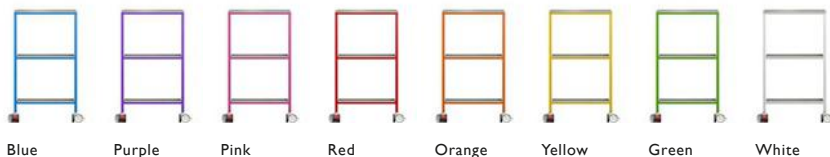
3 shelves on the largest Dressing Cart in the range offers the user a useful and easily moveable worksurface with a raised lip surface for use in the hospital ward.

**DIMENSIONS**  
 Height = 910mm Width = 1025mm Depth = 490mm

**PRODUCT ELEVATIONS**



**FRAME COLOURS** (included in price)



Blue Purple Pink Red Orange Yellow Green White

**NYLON COATED MILD STEEL FRAME**



The mild steel Dressing Carts feature an easy-to-clean powder coated frame which is much harder wearing than conventional paint systems.

**DRESSING CARTS - 1000 SERIES / STAINLESS FRAME / 3 RAISED LIP SURFACES**

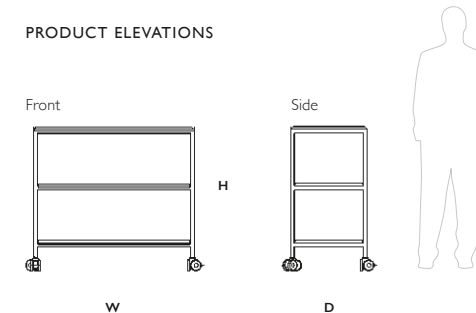


PRODUCT CODE  
**FW2802-3RL** Dressing Cart with stainless steel frame  
 (3 shelf / 1000mm width)

Seamlessly incorporated in any hospital ward, the 3 raised lip shelves on the 1000m Dressing Cart are integral for those needing extra mobile space.

**DIMENSIONS**  
 Height = 910mm Width = 1025mm Depth = 490mm

**PRODUCT ELEVATIONS**

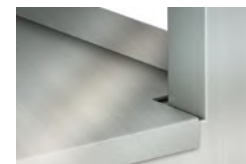


**STAINLESS STEEL FRAME**

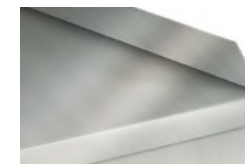


The stainless steel Dressing Cart range not only looks sleek but is the ultimate in long-lasting durability for extended product life.

**ANTI-SPILL RAISED LIP WORKSURFACES** (applies to both mild steel and stainless steel frame models)



All products shown feature our raised lip stainless steel worksurfaces and shelves.



**Freeway Medical**

Unit 15-16,  
Colthrop Business Park,  
Colthrop Lane, Thatcham,  
Berkshire, RG19 4NB.

**Tel:** 01635 866 717

**Fax:** 01635 866 347

**Web:** [freewaymedical.co.uk](http://freewaymedical.co.uk)

**Email:** [sales@freewaymedical.co.uk](mailto:sales@freewaymedical.co.uk)