



# Atomscope RHF100/40 Portable X-Ray Unit



## Features

High power, medium weight multi-purpose unit. Designed for veterinary use, especially the equine market and for small animals

- Powerful and light weight (11.2kgs) for the general Veterinarian
- Integrated, adjustable dual laser pointers
- 5 memory stations for storing x-ray exposure techniques
- Interface connector for DR system
- 5 year warranty



For further information call  
1300 785 401 - Northern Branch  
1300 785 405 - Southern Branch

Email: [info@dlc.com.au](mailto:info@dlc.com.au)

[www.dlc.com.au](http://www.dlc.com.au)



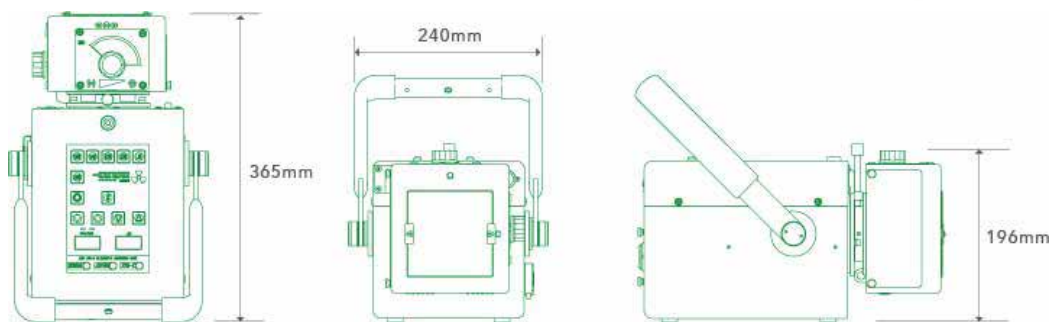
## ATOMSCOPE RHF100/40 PORTABLE X-RAY UNIT

High power, medium weight, multipurpose unit. Designed for veterinary use, especially the equine market and for small animals.

The RHF100/40 is Mikasa's 100kV model. The unit has 5 memory stations for storing x-ray exposure techniques. It is compatible with all major DR digital systems. A dual laser pointer in the collimator centers to align your SID. It is recommended for all-around practices and purposes including; equine, mixed, small animals and zoos.

HF400V	
<b>Max. Output Power</b>	2.5 kW
<b>kV and mA Range</b>	40 mA @ 30-60 kV 35 mA @ 62-70 kV 30 mA @ 72-80 kV 25 mA @ 82-100 kV
<b>Max. mAs</b>	60 mAs
<b>AC Input</b>	230 V (50/60 Hz)
<b>Focal Spot</b>	1.2 mm
<b>Total Filtration</b>	2.7 mm Al equivalent
<b>Size</b>	240 x 196 x 365 mm (WxHxL)
<b>Weight</b>	11.2 kgs

\*Specifications are subject to change without notice.



- 330003.....ATOMSCOPE RHF100/40 Portable X-Ray Unit
- 330031.....X-Ray Handswitch with Cable (Included)
- 330026.....X-Ray Collimator Globe (Included)

For further information please call:

### SOUTHERN OFFICE:

PO Box 4438,  
17-19 Horne St,  
Hoppers Crossing, VIC, 3029

Phone: 03 9360 9700  
Fax: 03 9360 9994  
Toll Free: 1300 785 405  
Email: info@dlc.com.au

### NORTHERN OFFICE:

PO Box 833,  
Unit 6/1 Lear-Jet Dr,  
Caboolture, QLD, 4510

Phone: 07 5428 3666  
Fax: 07 5428 3777  
Toll Free: 1300 785 405  
Email: qld@dlc.com.au

