

5223 DOUBLE-LINK BEAM LOAD CELL



DESCRIPTION:

The 5223 is a hermetically sealed, end loaded, centre supported double ended shear beam.

This product is suitable for a wide range of truck and rail scales. It is designed to use parallel link loading, considered by many weighing experts to be advantageous when compared to other loading techniques.

Fully welded stainless steel seals ensure high environmental integrity and provided that additional cable sealing is used, occasional submersion can occur without damage.

These products meet the stringent Weights and Measures requirements throughout Europe.

FEATURES:

- Nickel plated element
- Certified to OIML R-60, **3000d**
- Sealing: IP67 (DIN 40.050)
- Low profile, self-checking and self-centering.
- Optimised design specially for weigh-bridge use.
- Optional conduit adapter
- **CAPACITIES: 50 →100 Klbs**

Revere  Transducers

www.instrotech.com.au

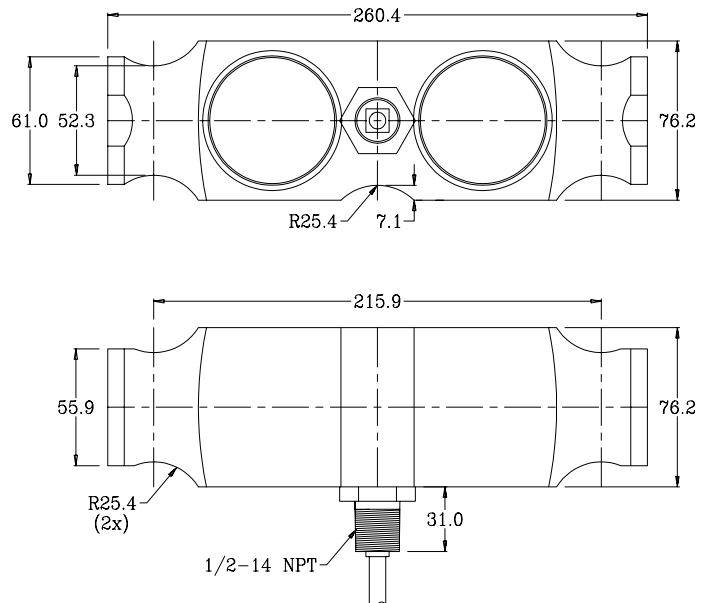
Revere Transducers Europe

5223: SPECIFICATIONS

Standard Capacities (=E _{max})	Lbs	50K, 65K, 100K		
Accuracy Class According to OIML R-60		C3		
Maximum Number of Intervals (n _{ic})		3000		
Minimum Verification Interval		E _{max} /1000		
Accuracy Class According to Type Designation		C3	D3	K5
Combined Error	%S	≤ ± 0.0200	≤ ± 0.0300	≤ ± 0.0300
Non-Repeatability	%S	≤ ± 0.0100	≤ ± 0.0100	≤ ± 0.0100
Minimum Dead Load Output Return ¹	%S	≤ ± 0.0167	≤ ± 0.0300	≤ ± 0.0100
Creep Error (30 Minutes) ¹	%S	≤ ± 0.0245	≤ ± 0.0300	≤ ± 0.0100
Creep Error (20-30 Minutes) ¹	%S	≤ ± 0.0053	≤ ± 0.0045	≤ ± 0.0027
Temp. Effect on Min. Dead Load Output	%S/5°C	≤ ± 0.0070	≤ ± 0.0140	≤ ± 0.0140
Temp. Effect on Sensitivity	%S/5°C	≤ ± 0.0045	≤ ± 0.0070	≤ ± 0.0045
Minimum Dead Load	%E _{max}	0		
Maximum Safe Overload	%E _{max}	150		
Ultimate Overload	%E _{max}	300		
Maximum Safe Sideload	%E _{max}	100		
Deflection at E _{max}	mm	0.5/ 0.6/ 0.9		
Excitation Voltage	V	5...18		
Maximum Excitation Voltage	V	20		
Rated Output (=S)	mV/V	3		
Tolerance on Rated Output	mV/V	≤ ± 0.003		
Zero Balance	%S	≤ ± 1.0		
Input Resistance	Ω	700 ± 7		
Output Resistance	Ω	700 ± 7		
Insulation Resistance	MΩ	≥ 5000		
Compensated Temperature Range	°C	-10...+40		
Operating Temperature Range	°C	-40...+80		
Storage Temperature Range	°C	-40...+90		
Element Material		Nickel Plated alloy steel		
Sealing (DIN 40.050 / EN 60.529)		IP67		

¹ Applies for the temperature range -10 to +40°C

Accuracy class C3 is in agreement with the OIML recommendation R-60. The correct mounting of the load cells is essential to ensure optimum performance. Further information is available on request.



Cable specifications:

Cable length	12m
Excitation +	Red
Excitation -	Black
Output +	Green
Output -	White
Shield	Orange

Attention:

Dimensions: mm.
All dimension tolerances according to ISO 2768m, unless otherwise specified.

All specifications subject to change without notice

Screen of cable is not connected to load cell body. Performance may be affected if load cell cables are shortened.

Instrotech Australia Pty Ltd
PO Box 3137
Newton SA 5074
Tel.: + 61 8 8337 8033
Fax.: + 61 8 8337 8656
Email: sales@instrotech.com.au