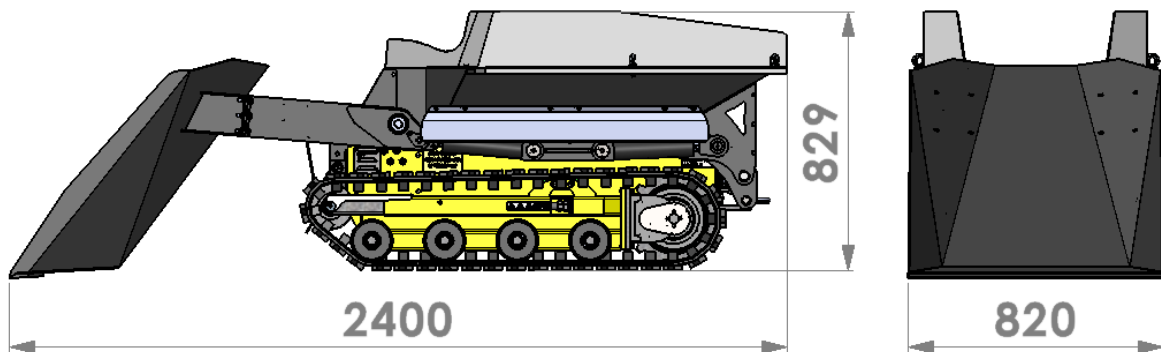


## TECHNICAL FEATURES DCT350 SELF LOADING

(#ALI-DCT-350PH2-02-DZ)



Overall dimensions of the machine and weights DCT-350PH2-02

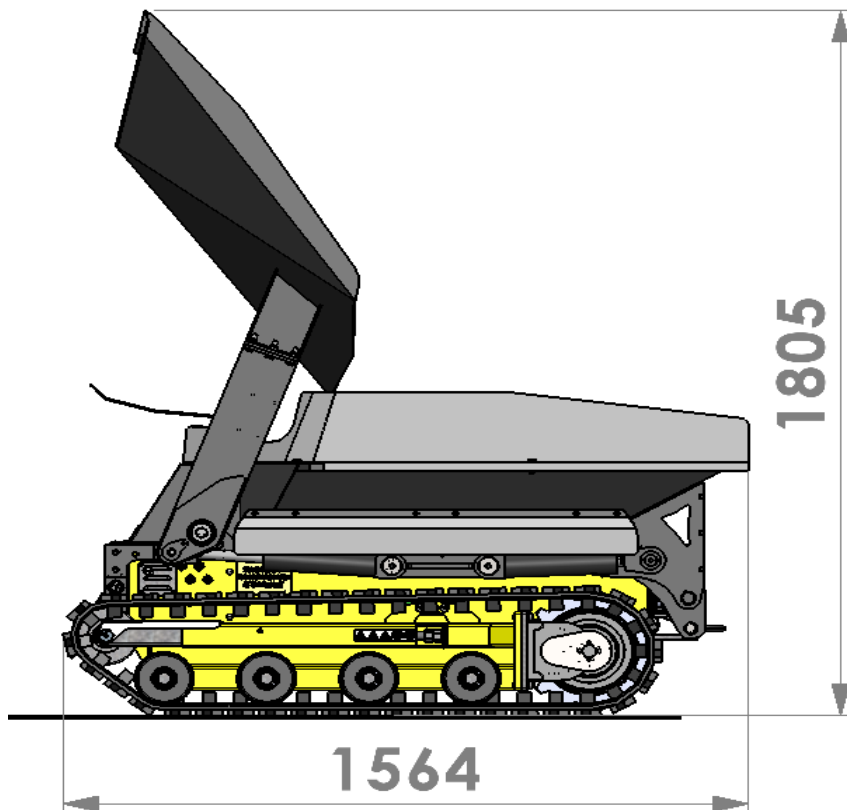
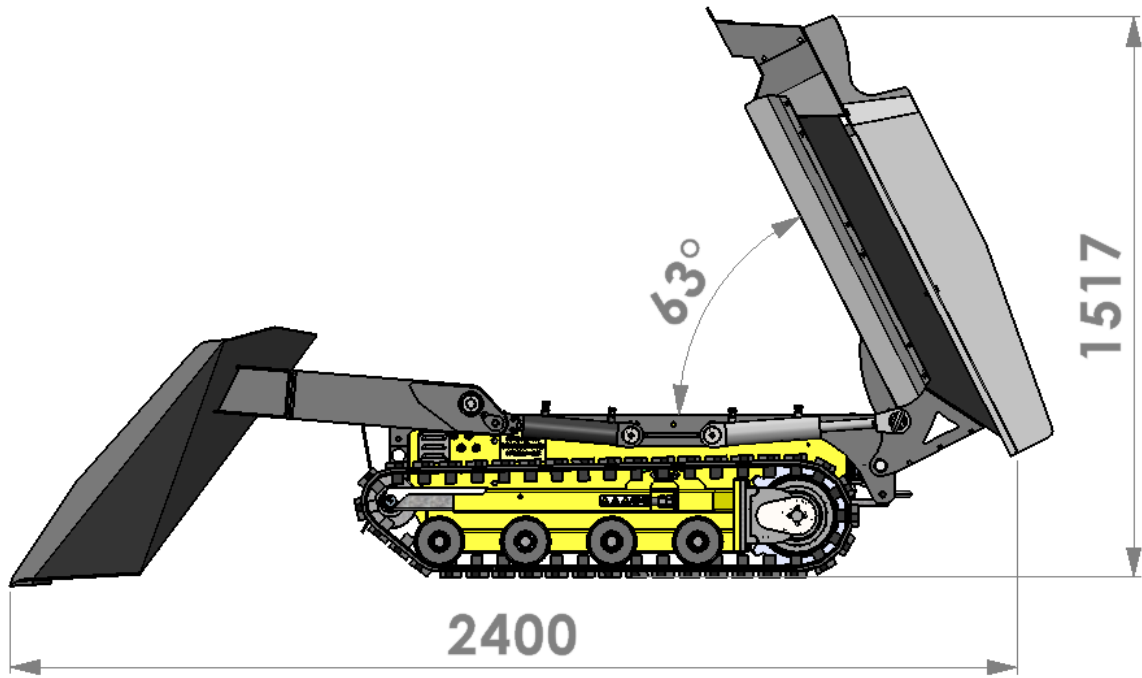


Machine weight with 4 p. lead. batteries **85AH c20**  
 (126kgs)

650kgs

Tab. 4-1

### Overall dimensions of the DCT-350PH2-02



Electrical data			
Power circuit voltage		V	48 DC
Control circuit voltage		V	24 DC
Charging voltage		V	110 AC
Engine power		W	1500 (left motor) + 1500 (right motor)
Battery type	Pure lead	Ah	90 C5
Battery number		N°	4
Empty load autonomy		hours	4
Battery type	Pure lead	hours	4
Protection level IP		IP	54

**Tab. 4-2**

Mechanical data		
Engine revolutions	rpm	2000
Reduction gear ratio	R	1:32
Forward speed	km/h	3,2
Reduced forward speed	km/h	2,6
Backward speed	km/h	3,2
Reduced backward speed	km/h	2,6

**Tab. 4-3**

Hydraulic data			
Hydraulic pump motor revolutions	rpm	4000	
Flow rate cl/g	cc/g	0.75	
Max pressure	Bar	150	Megapascal [MPa] 15
Min pressure	Bar	90	Megapascal [MPa] 0.9
Tank capacity	L	1.5	

**Tab. 4-3**