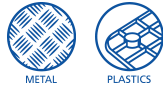
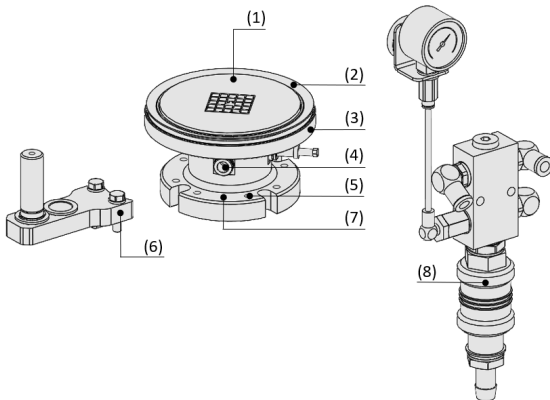


## Vacuum Blocks CMB-HD

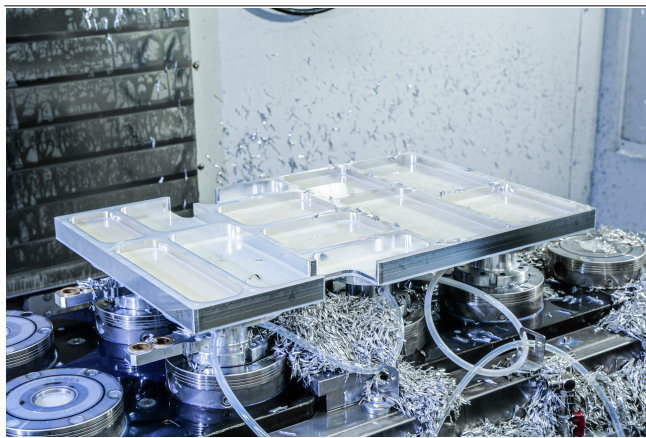
Suction area (Ø) from 80 mm to 140 mm



Vacuum Blocks CMB-HD



System design Vacuum Blocks CMB-HD



Vacuum block CMB-HD with high clamping forces for machining aluminum on CNC machining center

### Suitability for industry specific applications

#### Applications

- Vacuum blocks for use in CNC machining centers for cutting metal and plastics
- Setup by means of clamping claws on T-slot table or directly on zero point clamping systems
- Connection of the vacuum blocks possible both individually and point-to-point
- 5-side processing due to good accessibility of the workpiece
- Easy retrofitting of removable workpiece stops for fast and repeatable positioning of the component

#### Design

- Suction plate with friction pad (1) and replaceable, flexible sealing (2)
- Main body made of aluminum (3) with vacuum connection (4) and mounting thread (5) for mounting the workpiece stops (6)
- Attachment on machine table by claws or screwing of the lower clamping surface (7) or by means of clamping bolts for zero point clamping systems
- Vacuum connection set including pressure gauge (8) for vacuum supply and monitoring

#### Product highlights

- Precise friction pad provides high holding force and ensures high-quality machining results
- Simple setup for reduced setup times on all machine tables
- Very good accessibility of the workpiece allows 5-sided processing and maximization of machining steps per clamping
- Practical accessories increase safety and comfort when clamping with vacuum
- Attractive entry-level solution for clamping with vacuum thanks to low investment costs

# Vacuum Blocks CMB-HD

Suction area (Ø) from 80 mm to 140 mm

## Designation code Vacuum Blocks CMB-HD

<b>CMB</b>	–	<b>HD</b>	–	<b>D80</b>	–	<b>69</b>	–	<b>RB</b>
1		2		3		4		5

### 1 – Abbreviated designation

Code	Type
CMB	Vacuum block for metal and plastic processing

### 2 – Version

Code	Type
HD	Heavy Duty

### 3 – Suction area

Code	Diameter in mm
D80	80
D120	120
D140	140

### 4 – Height

Code	Height in mm
69	69

### 5 – Product addition

Code	Type
RB	Friction pad

The CMB-HD vacuum block is delivered assembled and ready for connection.

Available spare parts: sealing, plug connector

Available accessories: vacuum connection set, workpiece stop, magnetic holder, vacuum generator VAGG

## Ordering data Vacuum Blocks CMB-HD

Type	Part no.
CMB-HD D80x69 RB	10.01.27.01870
CMB-HD D120x69 RB	10.01.27.01874
CMB-HD D140x69 RB	10.01.27.01875

## Ordering data Spare parts Vacuum Blocks CMB-HD

Spare parts	Part no.
Sealing plug   VRS-STEC 8x18.5	10.08.06.00013

Type	Spare parts	Part no.
CMB-HD D80x69 RB	V-ring   V-RING 63x11 V-070 NBR	10.07.08.00554
CMB-HD D120x69 RB	V-ring   V-RING 90x6 V-90 A NBR	10.07.08.00693
CMB-HD D140x69 RB	V-ring   V-RING 108x7 V-108-A NBR	10.07.08.00694

## Ordering data Accessories Vacuum Blocks CMB-HD

Accessories	Part no.
Vacuum hose (meter)   VSL 8-6 PU MI-TR	10.07.09.00003
Stop   ANSG 90x40x13	10.01.27.01925
Hose holder   HTR-SL-8	10.01.27.01924
Vacuum distributor   VTR-STV 8/6	10.01.27.01897
Vacuum unit   VAGG 63 AC3 80	10.01.27.00123

Accessories	Part no.
Vacuum unit   VAGG 18 AC3 30	10.01.27.00121
Vacuum unit   VAGG 40 AC3 80	10.01.27.00122
Vacuum unit   VAGG 63 AC3 80	10.01.27.00123

## Vacuum Blocks CMB-HD

Suction area ( $\emptyset$ ) from 80 mm to 140 mm

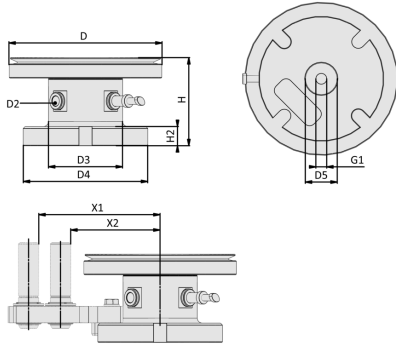
### Technical data Vacuum Blocks CMB-HD

Type	[N]	Lateral force [N]
CMB-HD D80x69 RB	402	161
CMB-HD D120x69 RB	905	362
CMB-HD D140x69 RB	1,231	493

## Vacuum Blocks CMB-HD

Suction area ( $\varnothing$ ) from 80 mm to 140 mm

### Design data Vacuum Blocks CMB-HD



CMB-HD

## Vacuum Blocks CMB-HD

Suction area (Ø) from 80 mm to 140 mm

### Design data Vacuum Blocks CMB-HD

Type	D [mm]	D2 [mm]	D3 [mm]	D4 [mm]	[mm]	G1	H [mm]	H2 [mm]	X1 [mm]	X2 [mm]
CMB-HD D80x69 RB	80	8	58	98	25	M10x1.5-F	69	15	95	70
CMB-HD D120x69 RB	120	8	58	98	25	M10x1.5-F	69	15	95	70
CMB-HD D140x69 RB	140	8	58	98	25	M10x1.5-F	69	15	95	70

### Multimedia product presentation

#### Medium

Product video

#### Link

<https://vimeo.com/792559100/>