



AXR.UCGN.4G

Refrigerated Undercounter 4 Glass Doors - 1/1GN

Product Information:

- Monoblock refrigeration system, for improved performance and ease of servicing
- Adjustable digital temperature controller (0°C - 6°C)
- Fan forced ducted cooling for uniformed performance throughout the entire refrigerator
- Protective coating on refrigeration coil to help prevent corrosion
- Environmentally friendly R290 Hydrocarbon refrigerant
- Efficient LED lighting for increased product visibility
- Stainless Steel worktop as standard
- 1/1GN shelf configuration with adjustable runners
- 60mm CFC free polyurethane insulation
- Efficient and hygienic cleaning made easy with an innovative internal design
- High quality components including highly efficient compressors and EC fans
- Double glazed heated glass door for exceptional display and minimal condensation
- Self-closing doors with lock fitted as standard
- Supplied on lockable castors for a 840mm finish height. Optional spacer to increase to 900mm working height.
- 2 and 3 door models also available, with glass or solid doors



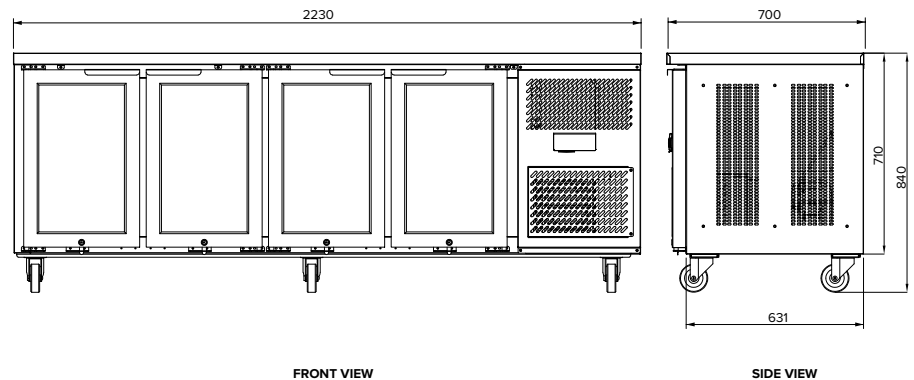
Designed and Engineered in Australia to meet Australian Standards
24 Months on-site parts and labour warranty

Optional Accessories:

- Height Increase Channel Spacer (AXR.UCGN.CH) (3 required)
- 1/1GN shelf with runners (AXR.UCGN.SHELFKIT)

Specifications

Model	AXR.UCGN.4G
W x D x H (mm)	2230 x 700 x 840
Weight	152kg
Capacity	421 Litres
Operation	0°C - 6°C
Refrigerant	R290
Climate Class	4
Max Ambient	38°C
Power	220 - 240V 10A plug & lead



Due to continuous product research and development, the information contained herein is subject to change without notice.

Revision: 01 - 16/07/2020 - A

www.stoddart.com.au
www.stoddart.co.nz

