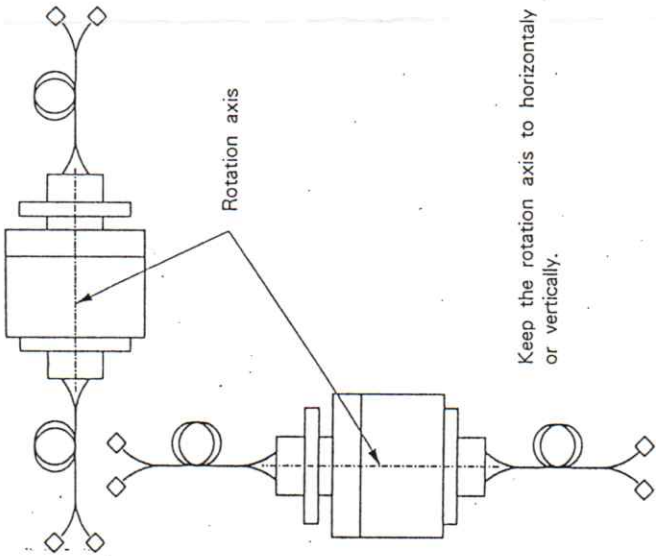


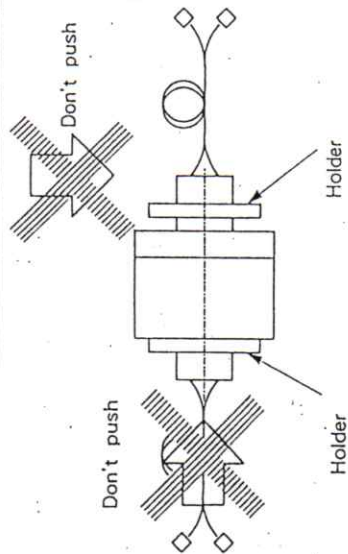
MARK	REVISION	DATE	NAME	CHKD.

Installation method of fiberoptic rotary joint for polymer optical fiber

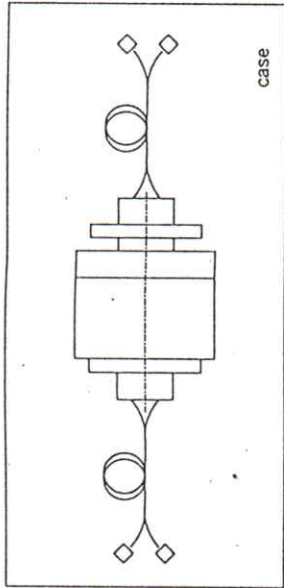
Please take care of fiberoptic rotary joint installate to the machine, because of the precision optical instrument.
The following figures are installation guides for fiberoptic rotary joint.



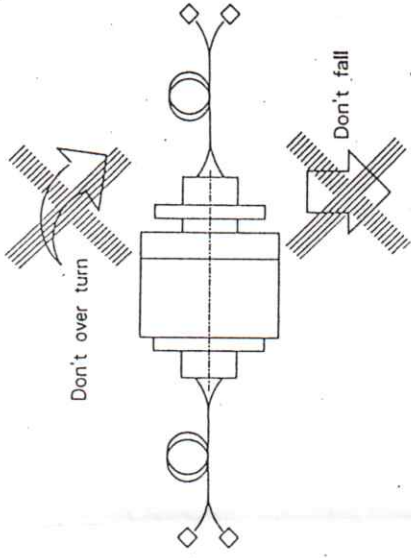
Keep the rotation axis to horizontally or vertically.



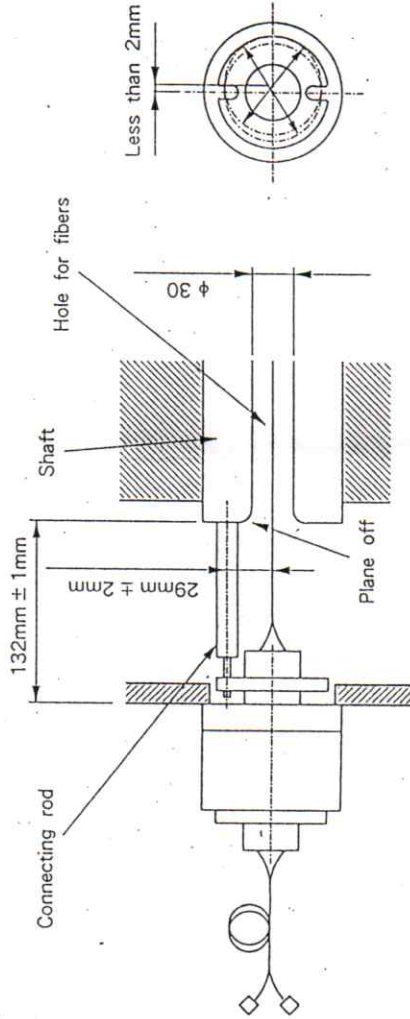
Don't put the force to the holders for protecting.



Use the case for protecting from moisture and dusts.



Don't shock and fall.



1. Off-axis between shaft and fiberoptic rotary joint shall be saved less than $\pm 2\text{mm}$.
2. The connecting rod shall be screwed tightly keep from loosening.

DWN.	<i>S. Nakano</i>	Feb. 6 '91	TITLE	Installation method of fiberoptic rotary joint for polymer optical fiber
CHKD.	<i>T. Aoshima</i>	REGD. PROJ.		
APPD.	<i>S. Koyama</i>	APPRO. 7.FEB. 1991		
SCALE	<i>M.T.S</i>			

HITACHI
Hitachi Cable, Ltd.

EH3787563

REV.

--	--