

Accessible Toilet Suite



WELS REG#
P Trap: L06712
S Trap: L06713



Scan QR code
to view our
installation notes



To order this item please advise:

- PTSDCP = Centurion Pan, P Trap
- PTSDCS = Centurion Pan, S Trap

NB: Seat is supplied to conform to Disability Code. Colour to be nominated. Please refer to pg 60 for seat details.



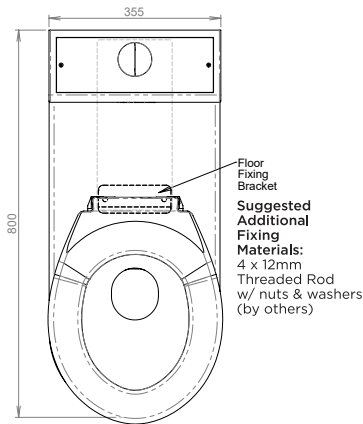
PTSD



N.B: All Britex disabled and ambulant toilet pans are supplied with our Vandal Resistant Closed Front Toilet Seat (black colour unless otherwise specified) to comply with AS1428 Disability Code.

Product Info:

- Conforms to requirements of AS1428:2009
- Highly vandal resistant
- Supplied pre-plumbed (cistern to pan)
- Available with Grandeur or Centurion pan
- Double-skinned, tamper-resistant cistern casing
- Available with added seat (see pg 60 for options)
- Available with Backrest as required by AS1428 (see pg 61)



INSTALLATION NOTES

Before installing, consult current installation setout requirements for AS1428.

1) Pan is anchored to floor with an offset bracket (supplied). 2) Pan is secured to rear wall via 4 fixing holes integral to pan body. 3) Suggested fixings required for fixing to wall are 4pcs of 12mm dia. threaded rods with nuts and washers (not supplied). 4) Concealed fixings can be accessed by removing panels on sides of toilet pan. 5) Access panel screws are hex head type only. 6) Pan should be sealed around perimeter after installation is completed. 7) A mini-stop can be installed on rear wall within the confines of the suite at approx. 8) 300mm above FFL and 100mm from centre of pan outlet, then connection from mini-stop to 15mm cistern inlet by flexible connector.

