



Short Magazine Servo Barfeed

MSV110

MSV110

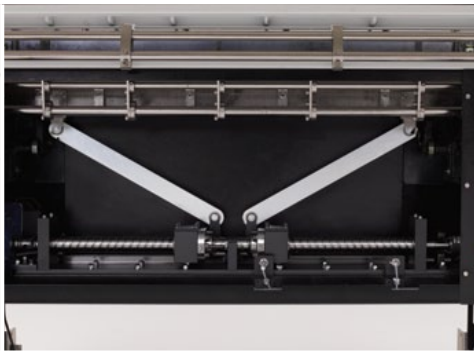
The MSV110 is a full servo-driven Barfeed eliminating the need for compressed air

Unrivalled performance and accuracy, with a user friendly set-up, providing the solution for increased productivity from your machine tool

Standard Features

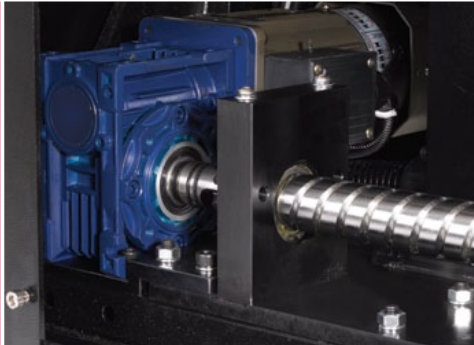
- Complete servo control on all axis
- 100 part programme storage
- Precision ground servo-driven ball screw
- Standard bar diameter range 7 to 110 mm
- Bar position accuracy to 0.1 mm
- Bar length measurement
- Random bar lengths accepted
- Barfeed or shaft load
- Push-rod backstop facility
- Quick and easy set up
- User friendly HMI screen
- CE Certified
- 1 year guarantee





Operator HMI screen

Operator enters work piece details in a fast and simple method resulting in minimum changeover time between jobs



Internal light

Giving increased visibility during set-up



Precision ground servo-driven ball screw

Accuracy of bar positioning is achieved by the use of a precision ground ball screw

The robust quality of both ball screw and gearbox provide reliable, accurate barfeeding to the machine tool



Standard

Bar Loading mechanism

Bars are 'soft' loaded from the storage magazine onto rollers, providing minimum friction and the ability to load bars of an irregular shape or rough surface finish.

Operator HMI screen

All values are entered using the HMI screen. The production information is stored, so changeover times are simply a case of entering alternative bar diameters.

Bar storage magazine

Standard depth of 0.6 metres with simple gradient adjustment. This can be fitted to either front or rear of Barfeed.

Floor mounted sliding rails

The MSV110 is fixed to floor mounted sliding rails. Once it has been moved from the home position the machine tool can be accessed safely.

The MSV110 package includes:

Liner system, delivery, installation and training with full after sales support.

Options

Bar Support Unit

For bars longer than the headstock, we can supply a Bar Support Unit which safely confines any bar length that may be longer than the lathe headstock length (to a maximum length of 1.55 metres).

Multi-stacker – increased bar storage

Please contact Hydrafeed for further details.

Short Magazine Servo Barfeed

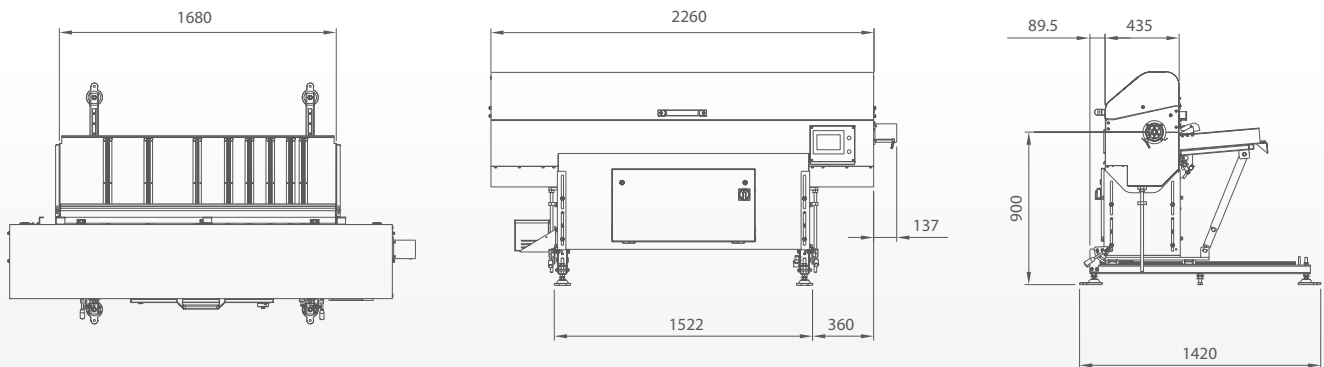
MSV110

Technical Specifications

Bar diameter	7-110mm
Bar length*	200-1550mm
Magazine capacity	600mm
Magazine	Front or rear
Drive	Servo motor
Height range	860mm to 1300mm
Weight	650kgs approx
Voltage	230/415v max



* For bars longer than headstock length a Bar Support Unit is required



All dimensions shown are in millimetres



Hydrafeed Ltd

Talgarth House
Bond Avenue
Mount Farm Industrial Estate
Milton Keynes
MK1 1JD

Tel: +44 (0)1908 376331

Fax: +44 (0)1908 647843

E-mail: info@hydrafeed.co.uk

Web: www.hydrafeed.co.uk