

R17IP7T-PPM1

17" Intel® Pentium® N4200 PP Series HMI Panel PC



KEY FEATURES

- 17", 1280 x 1024, 350 nits
- Projected capacitive multi-touch screen
- Intel® Pentium® Apollo Lake N4200, 1.10 GHz
- Fanless cooling system and ultra-low power power consumption
- Front IP65 water and dust proof
- Aluminum housing and fanless design
- Room booking schedule, access control, room information display

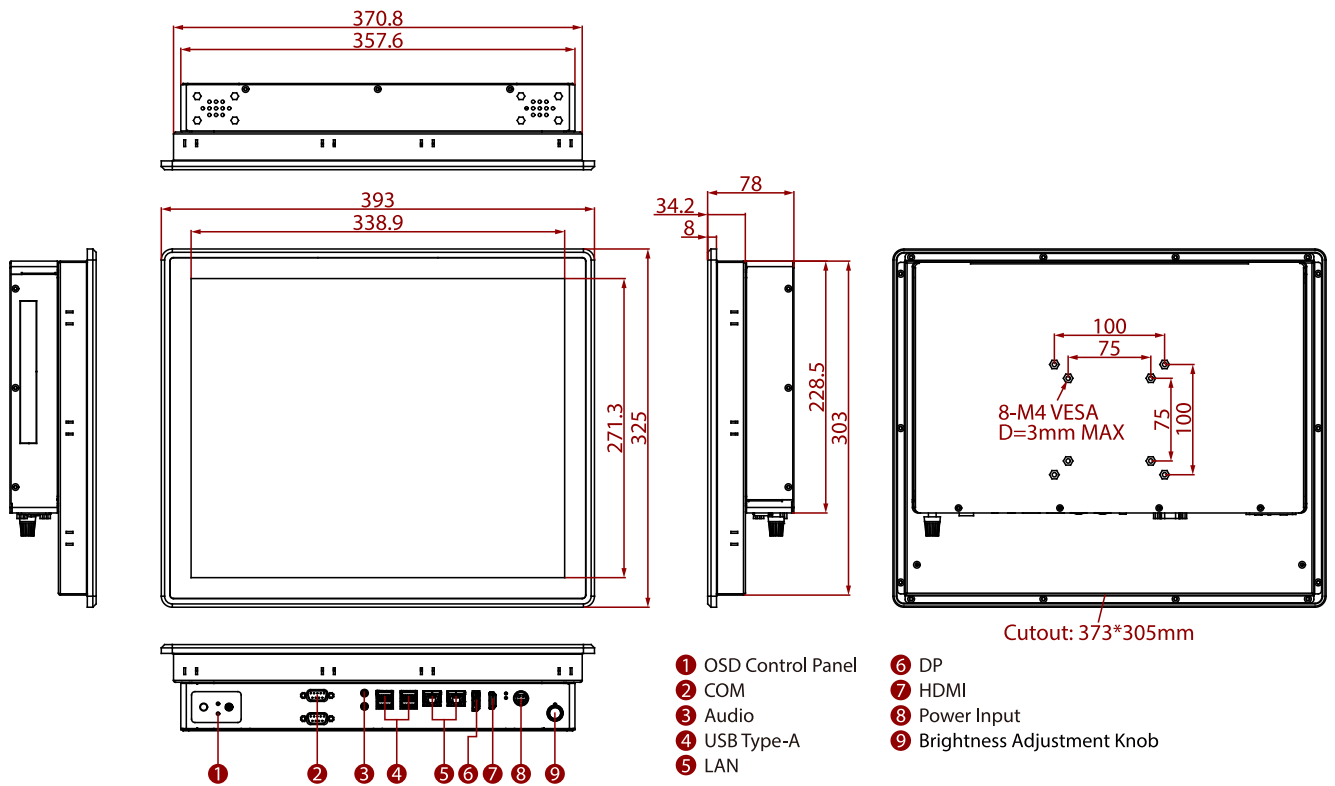


SPECIFICATIONS

Display			
Resolution	1280x1024	Size	17.0 inches
Contrast Ratio	1000:1	Panel Brightness	350.0 nits
View Angles	85,85,80,80	Active Area	337.920x270.336 mm
Touch / Glass	Projected Capacitive Multi Touch Screen		
System Specification			
Processor	Intel Pentium N4200 1.1GHz (up to 2.5GHz)	Memory	2 x SODIMM, DDR3L 1866 MHz, 4GB 8GB (Optional)
Storage	1 x M.2 2242 SSD 128GB 256GB (Optional) 512GB (Optional) 2 x SATA III for 2.5" SSD/HDD (Optional)	Ethernet controller	2 x Intel® Ethernet Controller
Security	TPM 2.0	Operating System	Windows 10 IoT Enterprise (64 bit) (Optional) Linux Ubuntu 20.04 (Optional)
WLAN	Support (Optional)	BT	Support (Optional)
Mechanical			
Dimension	393 x 323 x 78 mm	Weight	5.6 kg
Mounting	Panel mount VESA Mount	Enclosure	Metal Housing
Cooling System	Fanless design	Cut out	373 x 305 mm
Environment			
Operating Humidity	10% to 90% RH, Non-Condensing	Operating Temperature	0°C to 50°C
Storage Temperature	-10°C to 60°C	IP rating	Front IP65
Certification			
Certification	CE, FCC		
IO Ports			
Power Input	1 x 12V DC, Din4 pin connector	USB Port	4 x USB3.2 Gen1x1 (Type-A)
Serial Port	1 x RS232/422/485 (Default RS232) 1 x RS232	Video	1 x DP1.2 1 x HDMI 1.4 (Optional) 1 x VGA (Optional)
Audio	1 x Mic in	Expansion Port	1 x M.2 2242 B-key Slot (for SATA III SSD)

	1 x Line out 2 x Speaker		1 x M.2 2230 E-Key Slot (for Wi-Fi module) 1 x PCIe 2.0 (x1) slot
LAN	2 x Giga LAN RJ45 Connector	Indicator	1 x LED Indicator for power 1 x LED Indicator for storage
Brightness Knob	1 x Brightness Adjustment Knob		
Control			
Button	1 x Power Button 1 x Reset Button		
Accessory			
Accessory	100~240V AC to DC Adapter Power Cord VESA screws Mounting clips		
Power			
Power Rating	12V DC	Adapter	12V 84W

DIMENSIONS UNIT:MM



NOTE

1. This is a simplified drawing and some components are not marked in detail.
2. The product shown in this datasheet is a standard model. For diagrams that contain customized or optional I/O, please contact the Winmate Sales Team for more information.
3. All specifications are subject to change without prior notice.