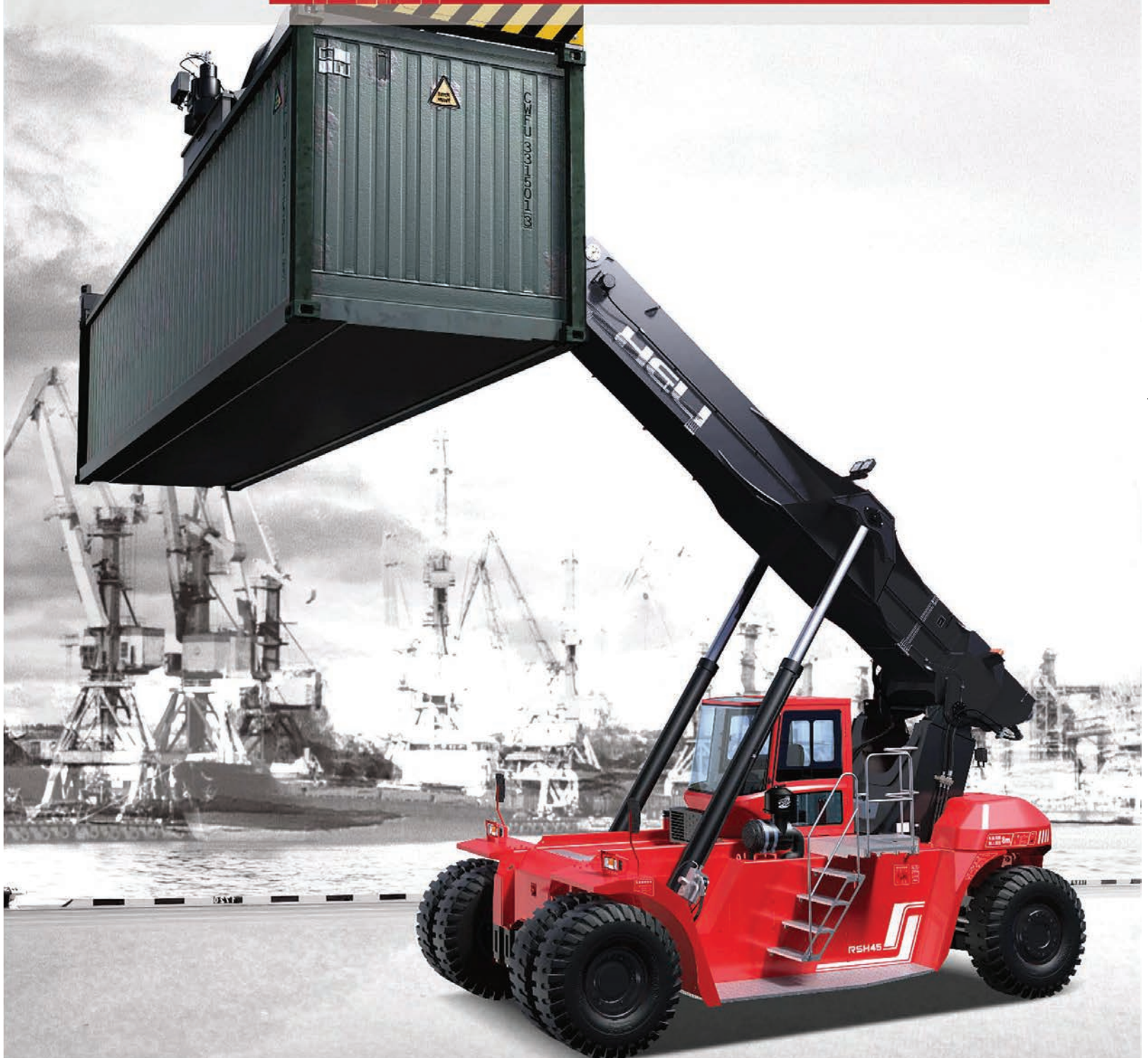


HELI *“Lifting the Future”*



REACH STACKER



World Class Features and Trusted Standard



- Low emissions Volvo Tier III or Stage V engines
- Dana transmission
- Kessler drive axle with wet disc brakes
- ELME spreader
- Twistlock automatic engagement
- Synchronised vertical lift
- Hydraulic sliding cabin
- Climate control air conditioning
- Tinted cabin glass
- Sun blinds front/roof/rear windows
- Air suspension operator's seat
- Trainer's seat
- Auto lube - Chassis, Boom Spreader
- Integrated reversing monitoring system

HELI

The Heli Reach Stacker takes productivity to new heights.

It's the full deal, combining our experience in material and container handling with innovative cargo handling technology, a user-friendly design, low running costs and excellent environmental credentials. That makes for a high performance reach stacker with the durability to last the entire design life.



A. High spec design standard

The Heli Reach Stacker's design uses CAE analysis, including finite element analysis, modal analysis and dynamic simulation on key components, including the frame and telescopic boom structures.

Rest easy knowing these compliance standards are covered: EN1459, ISO15018, AS22915.1(Stability), AS5144.2/ISO5053-1 (Safety Requirements), AS6292/ISO6292 (Braking Requirements) are satisfied.



HELI

B. Complete series

This machine is built tough to handle the most demanding jobs, with truly innovative solutions to make your operation run smoothly. A continuous product development program and sophisticated technological advances means cost of ownership is significantly reduced.

The Heli Reach Stacker is designed to handle and stack 20-foot and 40-foot fully loaded containers with productivity and efficiency in mind. Widely used in ports, docks, railway systems and container terminals worldwide, standard inclusions like electronically controlled overload protection system, backward integrated monitoring system and a host of integrated safety systems deliver efficiency and productivity.



C. Reliable quality

Electric controlled overload protection system

The intelligent overload protection system detects the steer axle angle and automatically adjusts the spreader position to ensure each lift is within the safe dynamic working range.

All vital components and functions are monitored on a large touch screen, and programmable settings, diagnostics and CanBus technology optimise engine and transmission performance, hydraulics and joystick control. A reversing integrated monitoring system identifies nearby pedestrians and obstacles at all times, ensuring the highest operational safety.

Two 4.5kg fire extinguishers compliment onboard safety features.



18.00-25-40PR drive and steer tyres with wheel nut protection on steer wheels.



Choice of Engines

Certified low-emission VOLVO TAD 1151VE Tier III provides extra high torque at low revs for reduced fuel consumption and low noise levels.



Certified low-emission VOLVO TAD 1181 VE EU Stage V engine.



High Strength Chassis and Boom Structures

Accurate data and design using CAE analysis, finite element analysis, modal analysis and dynamic simulation of the frame and reinforced boom structures. The strongest box chassis on the market, delivering long-lasting high performance.



D. High efficiency lifting

Energy Regenerating Load Sensing Hydraulics

Heli Reach Stackers use load sensing hydraulics to adapt the lifting power to the weight of each load and the required lifting speed. Maximum power kicks in only when needed, saving fuel and reducing emissions, noise, engine and drive train wear.

Synchronised Vertical Lift and Lowering function

The vertical lift and lowering functions of the spreader are maintained automatically via the telescoping boom, managed by the intelligent vehicle control module.



Comfort operation environment

Reach Stackers are ergonomically designed for unsurpassed operator comfort. Excellent visibility, an air suspension seat, climate control and ventilation provide an optimal environment for operators. Instrumentation and displays are conveniently arranged, and the joystick control offers fine adjustment to accommodate the most discerning operators.



E. Low cost

Dana transmission

Recognised for its durability and efficiency, the Dana 4-speed forward and reverse transmission is electronically controlled with direction protection. The APC120 controller, in combination with the engine and transmission controllers, optimise the shift change.



Smart Hydraulics

Intelligent load-sensing Parker hydraulics provide on-demand power, giving the operator infinitely variable control of the spreader. The Reach Stacker provides maximum power to the hydraulics only when it's required, saving on fuel and reducing exhaust emissions and noise.

Standard LED Lighting

Forward Lighting

- Boom mounted forward LED Work Lights
- Boom mounted forward LED Twistlock Lights
- Mudguard mounted forward LED Work Lights

Rearward Lighting

- Boom support rearward LED Work Lights
- Counter weight mounted, reverse, park and indicator lights

- Boom mounted safety strobe



F. Easy maintenance



Anti slip stairways and safety handrails are fitted to the operator entry to the cabin accompanied by full length runningboards fitted to left and right hand sides of the Reach Stacker.

Daily pre-start check locations are conveniently located for the operator and backed up by the intelligent on-board system tests initiated prior to start up. These details save on lifetime running and maintenance costs and extend engine service intervals to an impressive 500 hours. Service intervals for the transmission is 1000 hours. Hydraulics are subject to oil condition analysis.

Auto lubrication as standard

The chassis, boom and spreader working components are automatically lubricated to ensure optimal life of components.

Durable Hydraulics

An additional hydraulic oil cooler is provided to extend hydraulic oil life and provide further protection for the Parker hydraulic system.



G. Spreader



“ELME 817 20' - 40' TELESCOPIC SPREADER”

The strong and basic concept offers distinct advantages, including two parallel telescopic beams to ensure maximum overlap. The beam sections are designed to absorb vertical, but also considerable horizontal forces.

TWISTLOCK SYSTEM

The twistlock system boasts a rugged and proven design. Spreader model 817 is equipped with hardened ISO quick exchange twistlocks that are hydraulically activated with electrical and mechanical interlocking to prevent faulty locking and unlocking.

TELESCOPING, SIDE SHIFT AND ROTATION SYSTEM

Telescoping is powered by one hydraulic cylinder inside each beam. Sideshift is executed by two hydraulic cylinders on the outside of the main frame. Rotation is performed by a slewing ring with double transmissions for turning and brakes for holding.

CONTROL AND PROTECTION SYSTEM

Electrical systems monitor the state of the spreader at all times. Indicator lights inform the operator when the spreader is correctly seated, locked or unlocked. Each signal is a precondition for the important protection functions of the spreader, such as twistlock activation, telescoping and lift interrupt.

Top-lift for 20/40 ft containers, 300 degrees rotation, 1600 mm total sideshift, 4 lifting eyes for slinging cargo by chains. (MPS) mechanical pile slope (± 2 deg).



H. Premium Cabin

Operator Environment

Operators love the cabin's superior visibility and spaciousness. These features enhance safety and efficiency for operators and their loads. A very large windscreen without corner pillars and lower windows in the door panels provide good visibility of key working areas.

The positioning of the instrumentation aids operating ergonomics.

The operator environment is customisable to meet an operator's needs. The air suspension operator's seat, and console/controls can be precisely adjusted to accommodate the operator's requirements and a hydraulic sliding cabin (stroke 2900mm) allows for optimal positioning.



HELI REACH STACKER

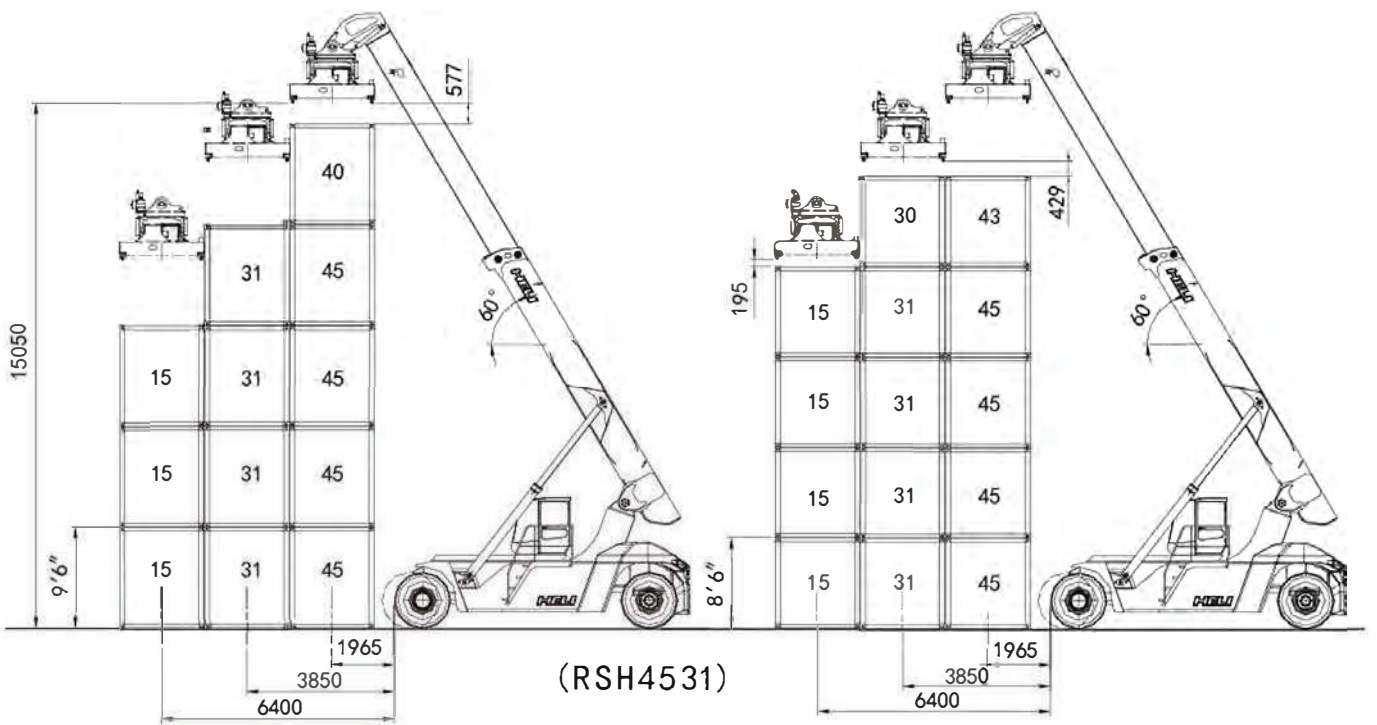
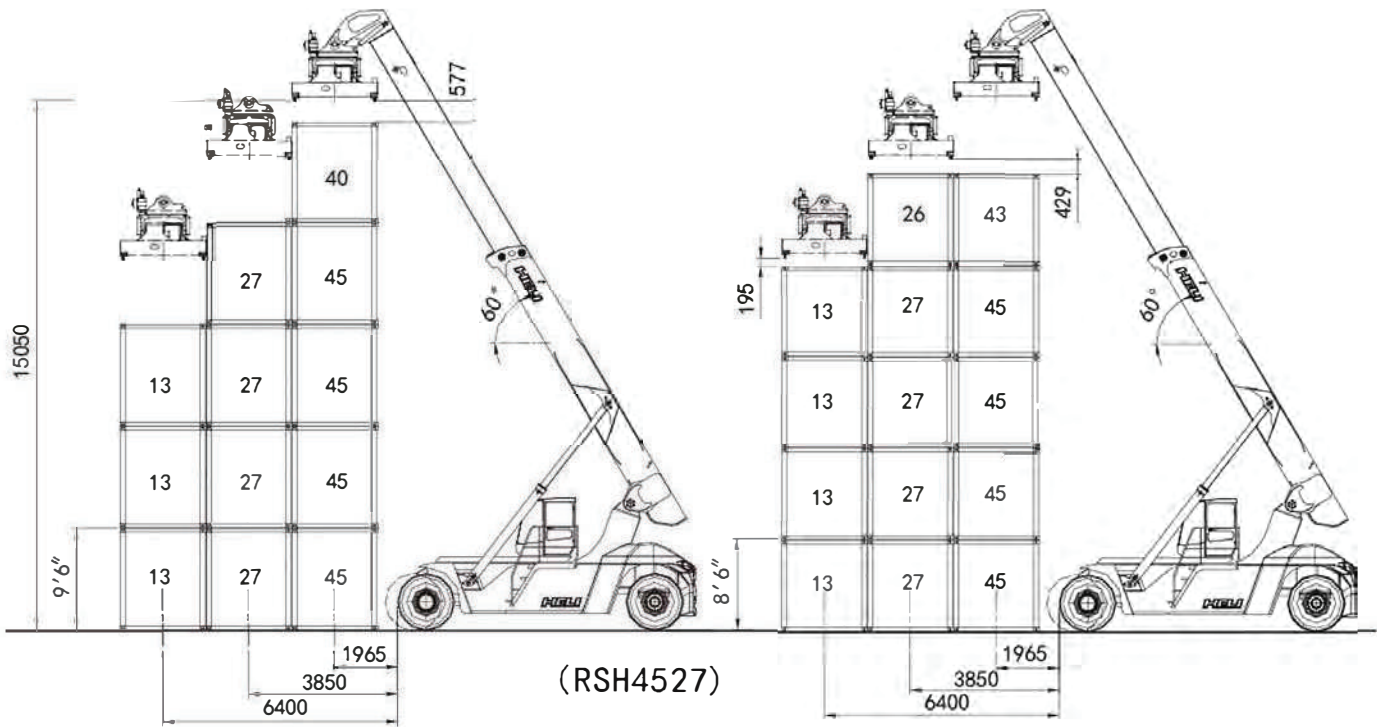
Visibility is optimised with a pillarless windscreen and hydraulic sliding cabin



Cabin noise at the operator's ear level have been reduced to 70 dB

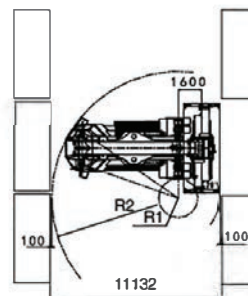
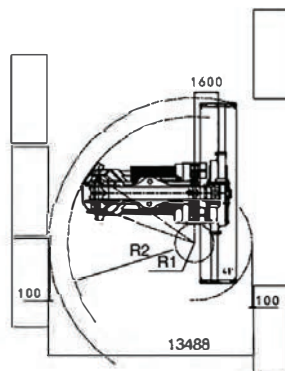
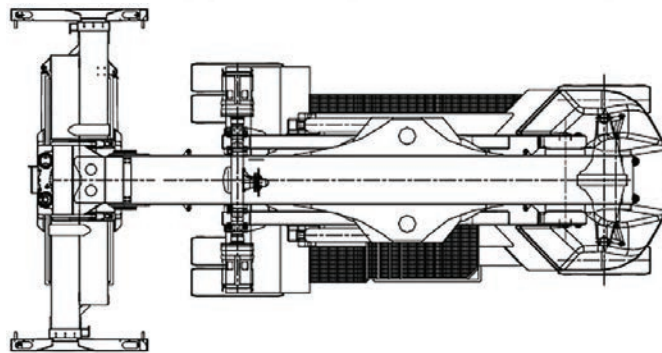
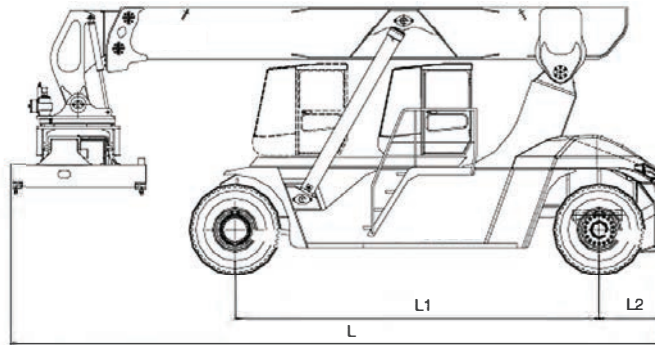
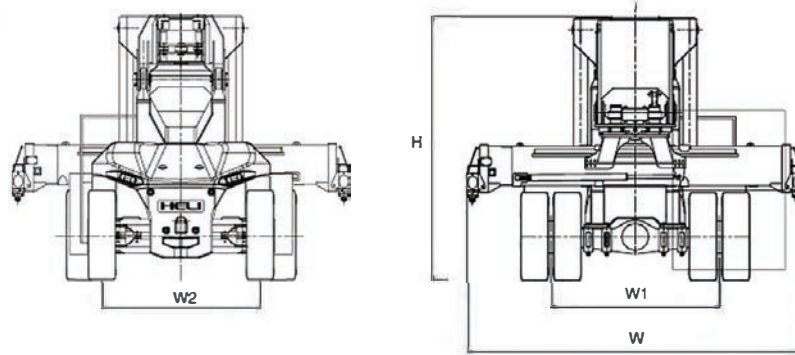


Load chart



Performance Specifications				
Model			RSH4531 V04	RSH 4531 V1D
Lifting Capacity	First Row/Second Row/Third Row	Kg	45,000/31,000/15,000	45,000/31,000/15,000
Load Centre	First Row/Second Row/Third Row	mm	1,965/3,850/6,400	1,965/3,850/6,400
Maximum Lifting Height (1st Row)		mm	15,050	15,050
Minimum Lowered Height (Tip of Twistlock)		mm	1,410	1,410
Spreader ELME	Model		817_INN	817_INN
	Lifting Capacity	t	45 ± 10% eccentric load	45 ± 10% eccentric load
	Container Positions		20' 30' 40'	20' 30' 40'
	Side Shift	mm	±800	±800
	Rotation	°	-105° ~ +195°	-105° ~ +195°
	Mechanical Pile Slope	°	±2°	±2°
Minimum Turning Radius		mm	7,990	7,990
Wheelbase		mm	6,000	6,000
Track Width (front/rear)		mm	3,060/2,270	3,060/2,270
Overall Length		mm	11,370	11,370
Overall Width		mm	4,060	4,060
Overall Height		mm	4,754	4,754
Tyres	Drive/Steer		18.00-25-40PR Bias	18.00-25-40PR Bias
Engine	Model		Volvo TAD1151 VE	Volvo TAD1181VE
	Rated Output/Speed	kW/rpm	265/2,100	265/2,100
	Rated Torque/Speed	Nm/rpm	1,785/1,316	1,785/1,400
	Emissions Standard		Tier III	EU Stage V
	AdBlue		No	Yes
Transmission	Model		Dana TE27	Dana TE30
	Speeds (forward/reverse)		4 + 4	5 + 3
Drive Axle	Model		Kessler D102	Kessler D102
	Mutiple Wet Disc Brakes		Yes	Yes
	Park Brake		Dry Disc	Dry Disc
Hydraulics	Make		Parker	Parker
	System		CCLS	CCLS
	Joystick		Electric Servo	Electric Servo

Schematics



HELI REACH STACKER



Optional Equipment		
No.	Item	Note
1	MLA FleetControl	FleetControl focuses on improving safety and compliance while increasing productivity, reducing costs and increasing productivity. FleetControl allows management to capture real time data straight to a PC, tablet or smart phone, capturing vital information to optimise the performance of your forklift fleet.
2	SOLAS Weighing System	The main objective of the SOLAS Convention is to specify minimum standards for the construction, equipment and operation of ships, compatible with their safety.
3	Dafo Fire Suppression System	Dafo Forrex Fire Suppression Systems response rapidly to any increase in temperature. The Dafo system is developed to be used worldwide in both cold and hot climates and designed after the international guidelines SPCR 183. The liquid agent extinguishes fire and effectively prevents re-ignition. A low pressure system demanding modest space and that operates in the coldest climates.



NATIONAL INFRASTRUCTURE

MLA Holdings Pty Ltd was established in 1980 with Mitsubishi Heavy Industries, for the sale and distribution of Mitsubishi Forklift Trucks in Australia.

The company has been operating in Australia since then for 41 years and now has core business in the sale, hire and service support of materials handling equipment Australia wide.

The MLA distribution network is Australia wide with offices in New South Wales, Queensland, South Australia, Western Australia, and Victoria. Recent company acquisitions have seen MLA's branch network grow into the Gold Coast and Newcastle Regions, through Classic and Hunter MLA.

We are the exclusive Australian distributor of three complementary brands – Mitsubishi and Nichiyu Forklift Trucks and MLA Vulcan Equipment that includes pedestrian, all-terrain and standard forklifts complemented with a range of Heavy Forklifts and Container Handlers. Throughout the company's growth, MLA Holdings Pty Ltd remains a privately-owned business.



NATIONAL

SERVICE & PARTS

All preventative maintenance will be conducted by MLA technicians and scheduled at convenient times to suit each customer site operation.

The service administration process is managed and performed applying our ISO 9001:2015 quality assurance procedures, in conjunction with Mitsubishi's manufacturer's recommendations.



SERVICE CAPABILITIES

24/7

MLA will provide 24 hours per day and 7 days per week response as required.

Customer Service Number

1300 000 

Type of Service Action (within metropolitan areas)	Response Time
Urgent Breakdown Repairs (Normal business hours)	2 hours
Urgent Breakdown Repairs (After Hours)	4 hours
Non-Scheduled Maintenance	4 hours

In the event of a major breakdown, whereby equipment requires lengthy repairs greater than one day, MLA has an extensive fleet to call upon. MLA will supply an equivalent replacement unit within 24 hours of our MLA technician's assessment on the unit to be repaired at no cost, for our rental customers excluding unfair wear and tear.

SPARE PARTS SUPPORT

As the sole Australian importer and distributor of Mitsubishi material handling equipment, MLA stocks more than \$6.5M value of genuine spare parts at our Sydney, Hunter, Melbourne, Brisbane, Gold Coast, Adelaide and Perth branches, representing 95% first pick.



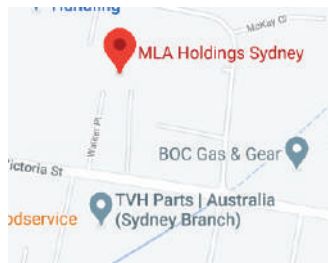
HELI *“Lifting the Future”*

The MLA team includes highly skilled, hands-on technicians. Ongoing training ensures a quality service experience from people who are dedicated and committed to excellence. Dealer service technicians are available nationally to make sure your investment (and your business) stays up and running.

MLA operates seven wholly owned branches in five states and an extensive dealer network covering Tasmania, the NT and regional areas offering an extensive range of products and services. New and used equipment is available at MLA branches for your inspection. Please call to arrange for MLA to assist you.

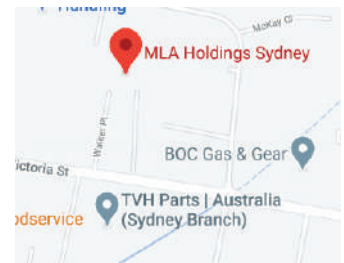
HEAD OFFICE

10 Walker Place
 (Locked Bag 3000)
 Wetherill Park NSW 2164
 Telephone (02) 9765 2000
 Fax (02) 9725 1972
 Email: sales@mlaholdings.com.au
 Web: www.mlaholdings.com.au



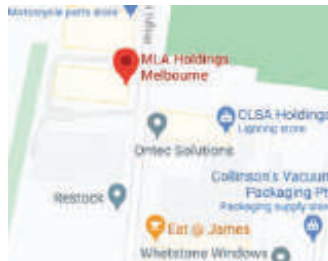
NEW SOUTH WALES BRANCH

10 Walker Place
 (Locked Bag 3000)
 Wetherill Park NSW 2164
 Telephone (02) 9765 2000
 Fax (02) 9725 1972
 Email: sales@mlaholdings.com.au
 Web: www.mlaholdings.com.au



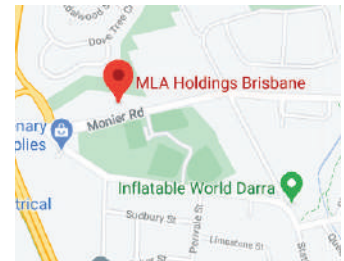
VICTORIA BRANCH

43 Wright Road
 Keilor Park VIC 3042
 Telephone: (03) 9353 2100
 Email: vic@mlaholdings.com.au



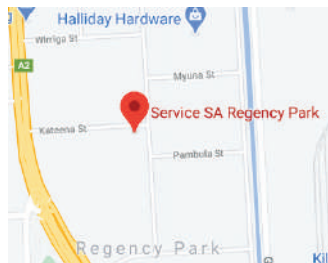
QUEENSLAND BRANCH

247 Monier Road
 Darra QLD 4076
 Telephone: (07) 3376 7488
 Email: qld@mlaholdings.com.au



SOUTH AUSTRALIA BRANCH

585 South Road
 Regency Park SA 5010
 Telephone: (08) 8244 2488
 Email: sa@mlaholdings.com.au



WESTERN AUSTRALIA BRANCH

229 Barrington Street
 Bibra Lake WA 6163
 Telephone: (08) 9434 2999
 Email: wa@mlaholdings.com.au



GOLD COAST BRANCH

8 Trade Ct
 Molendinar QLD 4124
 Telephone: (07) 5571 7600
 Web: www.classicmla.com.au
 Email: info@classicforklifts.com.au



NEWCASTLE BRANCH

21 Craftsman Close
 Beresfield NSW 2322
 Telephone: (02) 4967 4622
 Web: www.huntermla.com.au
 Email: sales@hunterlift.com.au

