



ET-7066

PET-7066

(PoE) Ethernet I/O Module with 8-ch PhotoMOS Relay

Features

- Built-in Web Server
- Web HMI
- Support for both Modbus TCP and Modbus UDP Protocols
- Communication Security
- Dual Watchdog
- I/O Pair Connection
- Built-in I/O
- PhotoMOS Relay: 8 Channels



Introduction

The ET-7066/PET-7066 provides 8 form A PhotoMOS relays. It features optical isolation for 3000 Vrms of transient overvoltage protection and doesn't have channel-to-channel isolation. The power-on value and safe value of PhotoMOS relay are programmable. It can safely be used in applications where hazardous voltages are present.

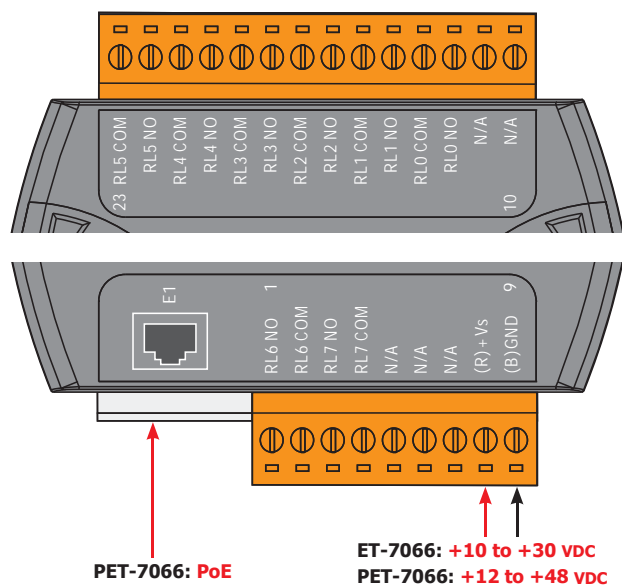
System Specifications

Model	ET-7066	PET-7066
Software		
Built-in Web Server	Yes	
CPU Module		
Watchdog Timer	Module, Communication (Programmable)	
2-Way Isolation		
Ethernet	1500 VDC	-
I/O	3000 VDC	
EMS Protection		
EFT (IEC 61000-4-4)	±2 kV for Power Line	
ESD (IEC 61000-4-2)	±4 kV Contact for Each Terminal	
LED Indicators		
Status	Run, Ethernet	Run, Ethernet, PoE
Ethernet		
Ports	1 x RJ-45, 10/100 Base-TX	
PoE	-	Yes
Security	ID, Password and IP Filter	
Protocol	Modbus TCP, Modbus UDP	
Power		
Reverse Polarity Protection	Yes	
Consumption	2.6 W (max.)	2.8 W (max.)
Powered from PoE	-	IEEE 802.3af, Class1
Powered from Terminal Block	+10 to +30 VDC	+12 to +48 VDC
Mechanical		
Dimensions (mm)	72 x 123 x 35 (W x L x H)	
Installation	DIN-Rail mounting	
Environment		
Operating Temperature	-25 to +75°C	
Storage Temperature	-30 to +80°C	
Humidity	10 to 90% RH, Non-condensing	

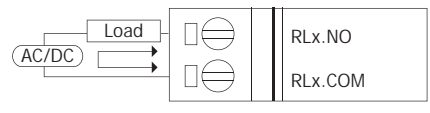
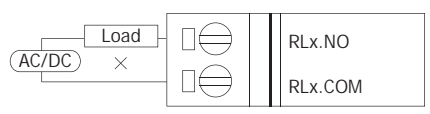
I/O Specifications

Model	ET-7066	PET-7066
PhotoMOS Relay		
Channels	8	
Type	PhotoMOS Relay, Form A	
Contact Rating	60V/1.0A (Operating Temperature -25 to +40°C) 60V/0.8A (Operating Temperature +40 to +60°C) 60V/0.7A (Operating Temperature +60 to +75°C)	
Leakage Current	1 μ A	
Operate Time	2.0 ms (max.)	
Release Time	0.3 ms (max.)	
Power on Value	Programmable	
Safe Value	Programmable	

Pin Assignments



Wire Connections

PhotoMOS Relay	ON State Readback as 1
Form A Relay Contact	
	OFF State Readback as 0
	

Ordering Information

ET-7066 CR	Ethernet I/O Module with 8-ch PhotoMOS Relay (RoHS)
PET-7066 CR	PoE Ethernet I/O Module with 8-ch PhotoMOS Relay (RoHS)