

# 10.5KG STACK DRYER/DRYER



## MLE27 AND MLG27



### LARGE CAPACITY

- Two large 10.5kg capacity dryers allows for large loads to be dried effectively
- Stack configuration allows for two dryers in the floor space of just one to get the most out of your laundry



### CONTROLS TO MEET YOUR NEEDS

- Simple one touch cycle selection for easy of operation
- "PD" Coin or Card activated machines come stand with M-Series technology to allows owners to optimize earnings with multiple pricing options



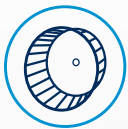
### FRONT-ACCESS PANEL

- Streamlines self-service by providing fast entry to internal component
- Minimizes downtime to help keep the machine running



### BUILT TO LAST

- Four-roller suspension with permanently lubricating bearings
- Heavy-duty steel cabinet
- Blower guard — reduces service calls, helping to keep machines running at optimal turns



### TURBOVENT® SYSTEM

- A high-speed blower wheel optimizes performance in long vents
- High airflow helps reduce drying times for a wide variety of loads
- Helps to increase efficiency and number of cycles over the life of the machine



#### COIN DROP OR CARD READER READY

MLE27PD (pictured)  
Also available in gas



#### NON-COIN

MLE27PN (pictured)  
Also available in gas

Stack Dryer/Dryer		
Payment Configuration	Electric	Gas
Non-Coin	MLE27PN	MLG27PN
Coin Drop or Card Reader Ready	MLE27PD	MLG27PD



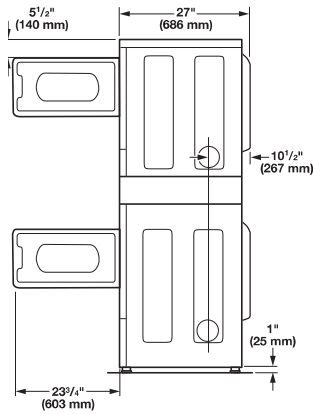
See [maytagcommerciallaundry.com](http://maytagcommerciallaundry.com) for warranty details.

# 10.5KG STACK DRYER/DRYER

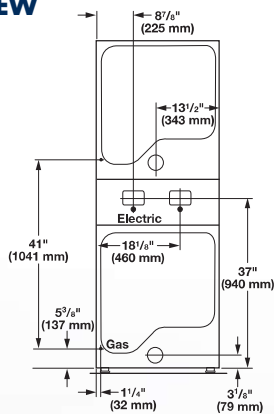


## MLE27 AND MLG27

### SIDE VIEW



### BACK VIEW



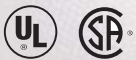
### Maximum Exhaust Duct Length Per Number of Turns

Rigid Metal Vent

Box Hood and Louvered Style

Angled Hood Style

No. of 90° Turns	Box Hood and Louvered Style	Angled Hood Style
0	39.6 m	39.3 m
1	38.1 m	36.3 m
2	35.1 m	33.2 m
3	32.3 m	30.5 m
4	29.9 m	28.0 m



\*Use 4" (100 mm) diameter rigid aluminum or galvanized steel duct. Never use plastic, non-metal or combustible duct. See specific instructions for proper installation. Because of continuous product improvement, Maytag reserves the right to change specifications without notice.

Printed on Recycled Paper.

MODELS	MLE27PD MLE27PN	MLG27PD MLG27PN
<b>COIN DROP / CARD READY NON-COIN</b>		
<b>Fuel Type</b>	<b>Electric</b>	<b>Gas</b>
<b>CAPACITY</b>		
Cylinder Volume — liters	209.5	209.5
Drum Capacity	10.5kg	10.5kg
<b>DIMENSIONS</b>		
Width — mm	686	686
Depth — mm	737	737
Height — mm	1,950	1,950
Door Opening — mm	514	514
Exhaust Duct Diameter — in. (mm)	4 (100)*	4 (100)*
<b>CRATED DIMENSIONS</b>		
Crated Width — mm	730	730
Crated Depth — mm	848	848
Crated Height — mm	2,008	2,008
<b>APPROXIMATE WEIGHT</b>		
Uncrated — kg	123.4	123.4
Crated — kg	133.4	133.4
<b>ELECTRICAL REQUIREMENTS</b>		
Voltage	220-240V - 50Hz	220-240V - 50Hz
Breaker/Fuse — amps	50	10
Airflow — CFM (CMM)	230 (6.5)	215 (6.1)
Electric Heating Element (watts)	4,600	N/A
Gas Rating — BTU/hr (kcal/hr)	N/A	24,000 (6,048)



# FLUING & DUCTING ACCESSORIES FOR MAYTAG COMMERCIAL DRYERS



**100mm THROUGH WALL KIT (STAINLESS STEEL)**  
Part Number: DVS1SS



**GRAVITY VENT - MARINE GRADE STAINLESS STEEL 100mm**  
Part Number: GVSS100



**RIGID GALV DUCTING 100mm x 1200mm**  
Part Number: PPS04430



**DRAFT BLOCKER 100mm**  
Part Number: DBV100



**ADJUSTABLE ELBOW 0-90 DEGREES - 100mm**  
Part Number: ELB049030



**INTERNAL SIDE FLU KIT - TO CHANGE DRYER VENTING**  
Part Number: W10470674



**INDOOR LINT FILTER TRAP\***  
Part Number: LTF



**FLEXIBLE DUCTING\* 100mm x 2.4m**  
Part Number: AO48MX/9



**DRYER VENT CLEANING BRUSH**  
Part Number: DVBRUSH8

\*Not recommend for commercial use. Can only be used on Electric Dryers. Additional specialised fluing parts can be organised through our spare parts department.



## Maytag Commercial Install Summary



### MAT20 & MAT23 Top Load Washer

- Standard 10AMP GPO within 1.0m to plug into
- ¾" hot and cold water taps within 1m
- Standpipe or laundry drain minimum 77cm high

Before operation:

- Installation manual to be read
- Unit to be levelled



### MHN33 Front Load Washer

- Standard 10AMP GPO within 1.0m to plug into
- ¾" hot and cold water taps within 1m
- Standpipe or laundry drain minimum 77cm high – if supplied on plinth, laundry drain to be 102cm high

Before operation:

- Installation manual to be read
- Shipping bolts to be removed
- Power cord to be pulled through
- Unit to be levelled

### MDE20 or MDE28 ELECTRIC Dryer.

- No power cord supplied - requires hardwiring into a dedicated 1 phase 25AMP circuit by your electrician.
- Requires fluing to external air using single skin 100mm rigid galv<sup>2</sup>

\*Natural gas as standard - LPG Conversion Kits available.

Before operation:

- Installation manual to be read
- Unit to be levelled

### MDG20 or MDG28 GAS Dryer.

- Standard 10AMP GPO within 1.0m to plug into
- Licensed gas plumber required to connect to gas and fluing on site
- Requires fluing to external air using single skin 100mm rigid galv<sup>2</sup>

\*Natural gas as standard - LPG Conversion Kits available.

Before operation:

- Installation manual to be read
- Unit to be levelled

### Install summary is a brief guide only and does not cover all requirements.

Full installation manual is supplied with each machine as hard copy and is also available via email on request.

**1** – Clearances are minimum for dryer free air requirements. Additional clearances may be required depending on fluing and supply requirements on site.

**2** - All dryers must be flued to external air with rigid galvanised ducting. Dryers in outdoor areas require fluing to direct heat and lint away from unit. Multiple /group dryer ducting requirements as per installation manual.

Ducting available from Dependable Laundry Solutions.



## Maytag Commercial Install Summary

### MLE22PN/PR/PD ELECTRIC Stack Washer/Dryer

- No power cord supplied - requires hardwiring into a dedicated 1 phase 25AMP circuit by your electrician.
- ¾" hot and cold water taps within 1m
- Standpipe or laundry drain minimal 77cm high
- Minimum 110mm clearance behind unit<sup>1</sup>
- Requires fluing to external air using single skin 100mm rigid galv<sup>2</sup>

#### Before operation:

- Installation manual to be read
- Shipping bolts to be removed
- Unit to be levelled
- Service key is bubble wrapped in machine drum – needs to be stored & kept



### MLG22PN/PR/PD GAS Stack Washer/Dryer

- Standard 10AMP GPO within 1.0m to plug into
- ¾" hot and cold water taps within 1m
- Standpipe or laundry drain minimal 77cm high
- Minimum 110mm clearance behind unit<sup>1</sup>
- Requires fluing to external air using single skin 100mm rigid galv<sup>2</sup>
- Licensed gas plumber to connect to gas and fluing

\*Natural gas as standard - LPG Conversion Kits available.

#### Before operation:

- Installation manual to be read
- Shipping bolts to be removed
- Power cord to be pulled through
- Unit to be levelled
- Service key is bubble wrapped in machine drum – needs to be stored & kept.

### MLE27PN/PD ELECTRIC Stack Dryer/Dryer

- No power cord supplied - requires hardwiring into a dedicated 1 phase 50AMP circuit by your electrician.
- Minimum 110mm clearance behind unit<sup>1</sup>
- Requires 2 x fluing to external air using single skin 100mm rigid galv<sup>2</sup>

#### Before operation:

- Installation manual to be read
- Unit to be levelled
- Service key is bubble wrapped in machine drum – needs to be stored & kept

### MLG27PN/PD GAS Stack Dryer/Dryer

- Standard 10AMP GPO within 1.0m to plug into
- Minimum 110mm clearance behind unit<sup>1</sup>
- Requires 2 x fluing to external air using single skin 100mm rigid galv<sup>2</sup>
- Licensed gas plumber to connect to gas and fluing

\*Natural gas as standard - LPG Conversion Kits available.

#### Before operation:

- Installation manual to be read
- Unit to be levelled
- Service key is bubble wrapped in machine drum – needs to be stored & kept

